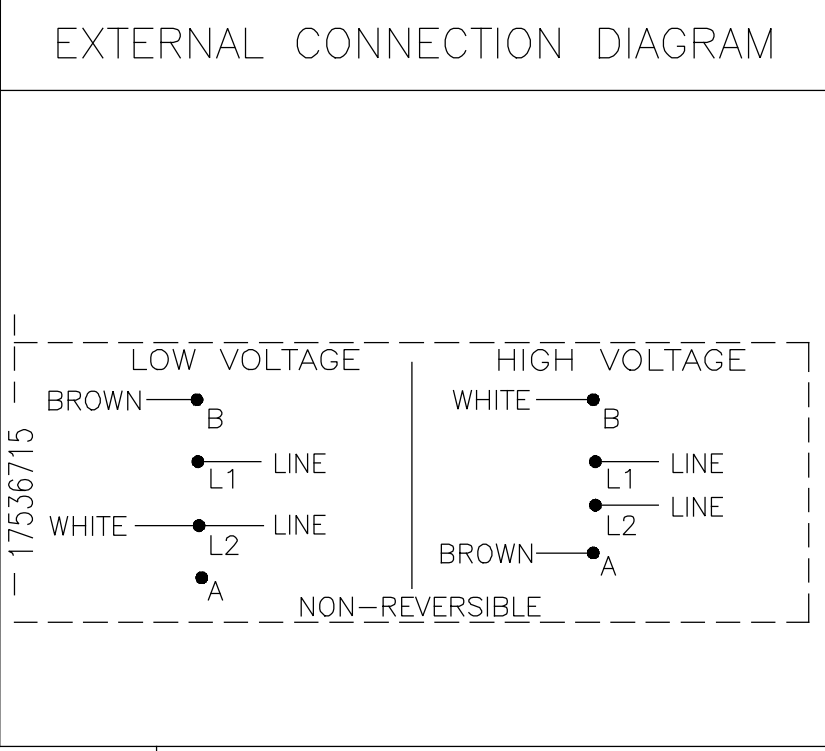


NAMEPLATE DATA	
MODEL: 164728	SF: 1.20
CUST PN: B836	
HP: 2.0	
ROT: CCWPE	
RPM: 3450	
TYPE: CX	CODE: G
FORM:	FRAME: Y 56 J
VOLTS: 230/115	
AMPS: SF 10.8/21.6	
MAX AMPS: -----	
SF AMPS: -----	
PH: 1	HZ: 60
INS: B	AMB: 50°C
DUTY: CONT	
ENCLOSURE: ODP	
THERMALLY PROTECTED	



NOTES

1 PILOT DIAMETER IS CONCENTRIC WITH SHAFT CENTERLINE WITHIN .004[.10] T.I.R.

2 FACE OF MOUNTING FLANGE IS PERPENDICULAR TO SHAFT CENTERLINE WITHIN .004[.10] T.I.R.

3 SHAFT RUNOUT NOT TO EXCEED .002[.05] T.I.R.

4 END PLAY NOT TO EXCEED .010[.25] MEASURED WITH NO THRUST

5 ALL DIMENSIONS SHOWN IN PARENTHESIS ARE REFERENCE DIMENSIONS.

PERFORMANCE CURVE	APPROVED SAMPLE		
16367411	-----		
UL COMPONENT	CSA		
FILE#	CCN#	FILE#	GUIDE#
E14663	XEWR2	LR4642	4211-01
CUSTOMER	DISTRIBUTION		

DRAWING REVISION	REVISION BY	DATE	TOLERANCES UNLESS OTHERWISE SPECIFIED	DRAWN BY:	AS
D	G. RODRIGUEZ	04-25-2019	DEC. INCH mm ANGLE	AS	
ECO	APPROVED BY	DATE	.XX ±0.1 [±2.5] ±0.5°	DATE:	10-21-2010
ECO-0165900	G. RODRIGUEZ	04-25-2019	.XX ±0.02 [±0.51]	APPROVED BY:	TZ
ECO DESCRIPTION	SEE ECO		.XXX ±0.005 [±0.127]	DATE:	10-21-2010
			.XXXX ±0.0005 [±0.0127]	REFERENCE	
<small>COPYRIGHT REGAL BELOIT AMERICA, INC. ALL RIGHTS RESERVED. PROPRIETARY AND CONFIDENTIAL INFORMATION - THIS DOCUMENT IS THE PROPERTY OF REGAL BELOIT AMERICA, INC. (OWNER) AND CONTAINS OWNER'S PROPRIETARY INFORMATION. ANY PERSON, CORPORATION OR OTHER FIRM RECEIVING IT IS DEEMED, BY RECEIVING IT, TO AGREE THAT IT, AND/OR ANY PART OF IT, SHALL NOT BE DISCLOSED TO ANY PERSON, CORPORATION OR OTHER ENTITY, DUPLICATED, AND/OR USED, EXCEPT AS EXPRESSLY APPROVED IN WRITING IN ADVANCE BY OWNER. THIS DOCUMENT SHALL BE RETURNED TO OWNER UPON REQUEST. IT MAY BE SUBJECT TO CERTAIN RESTRICTIONS UNDER APPLICABLE EXPORT CONTROL LAWS AND REGULATIONS.</small>			REMOVE BURRS & BREAK SHARP EDGES .003/.015 [0.076/.381] X 45° CORNER FILLETS R.02 [51] MACHINED SURFACES 125/3.2 INCH/mm	REGAL™ Regal Beloit America, Inc.	DESCRIPTION MODEL-CFHP-56FR OUTLINE
			THIRD ANGLE PROJECTION	MATERIAL PROCESS/FINISH	SIZE DWG NO B836
			SHEET 1		