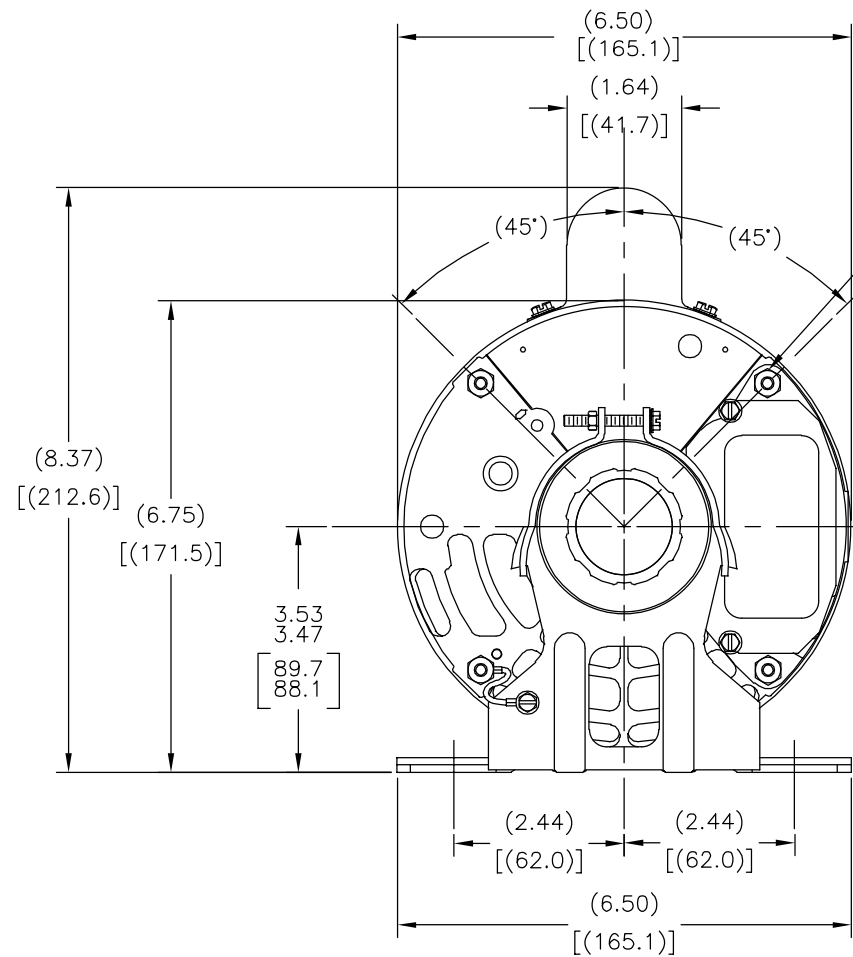
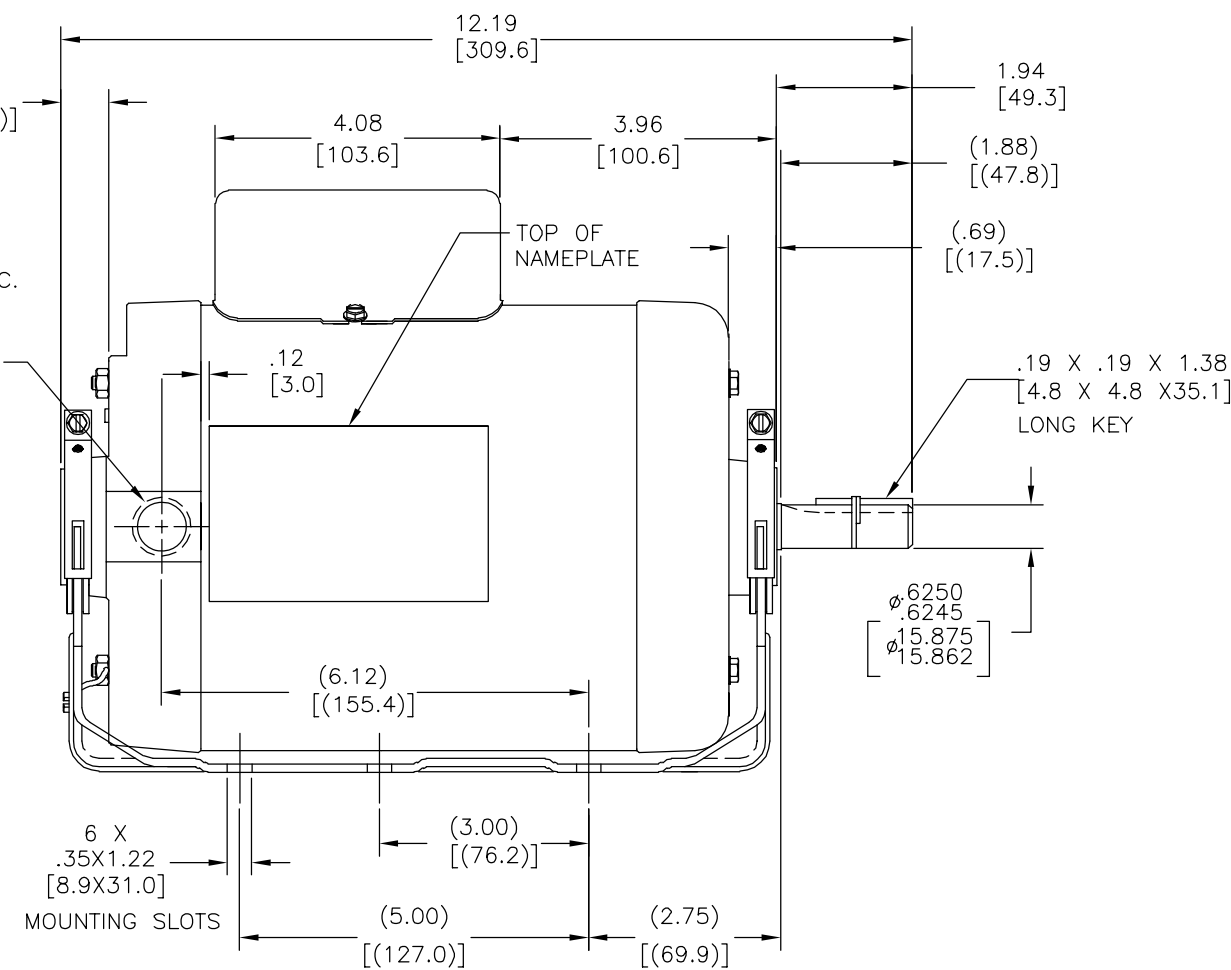


REV	ECO	REV BY	DATE	APPD	DATE
C	0025533	E.SINECIO	04-24-2012	R.RASCON	04-24-2012



10-32 UNF-2A THRU-BOLTS ON A $\phi 5.812$ [147.62] B.C.

1/2-14 NPSM WITH CAP

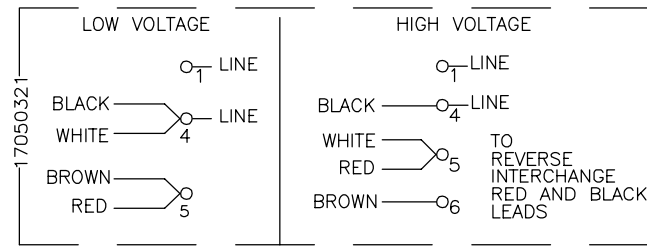


6 X .35X1.22 [8.9X31.0] MOUNTING SLOTS

NAMEPLATE DATA

MODEL: 196424
 CUST. P/N: B722L
 HP: 1.5
 SF: 1.2
 ROT: RCC
 RPM: 3450
 TYPE: CS
 CODE: J
 FRAME: L 56
 VOLTS: 208-230/115
 AMPS: 8.6-8.0/16.0
 MAX AMPS: .
 PH: 1
 HZ: 60
 INS: B
 AMB: 40°C
 DUTY: CONT
 THERMALLY PROTECTED

EXTERNAL CONNECTION DIAGRAM



NOTES:

1. ALL DIMENSIONS SHOWS IN PARENTHESIS ARE REFERENCE DIMENSION
2. END PLAY NOT TO EXCEED .010 [.25] MEASURED WITH NO THRUST
3. CONNECT FOR HIGH VOLTAGE

PERFORMANCE CURVE NO.

15554521

APPROVED SAMPLE OR REF. MODEL

.

UL COMPONENT

CSA

FILE#	CCN#	FILE#	CLASS#
E14663	XEWR2	LR4642	4211-01

ENCLOSURE: ODP

MOTOR ASSEMBLY (REF.): 2010647-001

CUSTOMER: DISTRIBUTION

GEOMETRIC CHARACTERISTICS & SYMBOLS

- FLATNESS
- STRAIGHTNESS
- ∠ ANGULARITY
- ⊥ PERPENDICULARITY (SQUARENESS)
- // PARALLELISM
- ROUNDNESS (CIRCULARITY)
- ⊘ CYLINDRICITY
- △ PROFILE OF ANY SURFACE
- ∩ PROFILE OF ANY LINE
- ↗ RUNOUT
- ⊕ TRUE POSITION
- ◎ CONCENTRICITY
- ≡ SYMMETRY

ASME Y14.5M 1994

UNLESS OTHERWISE SPECIFIED DIM. TOLERANCES ARE AS FOLLOWS:

- INCH X XX XXX XXXX
 $\pm .1 \pm .02 \pm .005 \pm .0005$
 mm $\pm 0.5 \pm 0.13 \pm 0.013$
 ANG. $\pm .50$ DEG
 REMOVE BURRS & BREAK SHARP EDGES:
 INCH .003-.015 mm 0.1-0.4
 CORNER FILLETS TO:
 INCH .020 mm 0.5
 MACHINE SURFACES:
 INCH 125 mm 3.2
 METRIC DIMS. SHOWN IN [BRACKETS]

DR BY:

TZ

11-08-2007

APPD:

MO

01-10-2008

THIRD ANGLE PROJECTION



EDS DATE 02-22-2008
 FORMAT REV G

CONFIDENTIAL: THIS DRAWING AND ITS INFORMATION ARE THE EXCLUSIVE AND CONFIDENTIAL PROPERTY OF REGAL-BELOIT CORPORATION AND ARE NOT TO BE DISCLOSED, DUPLICATED, DISTRIBUTED OR OTHERWISE USED WITHOUT THE WRITTEN CONSENT OF REGAL-BELOIT CORPORATION. -ALL RIGHTS RESERVED.



DESCRIPTION

MODEL-CFHP-56FR
 OUTLINE

SIZE

C

DWG NO

B722L

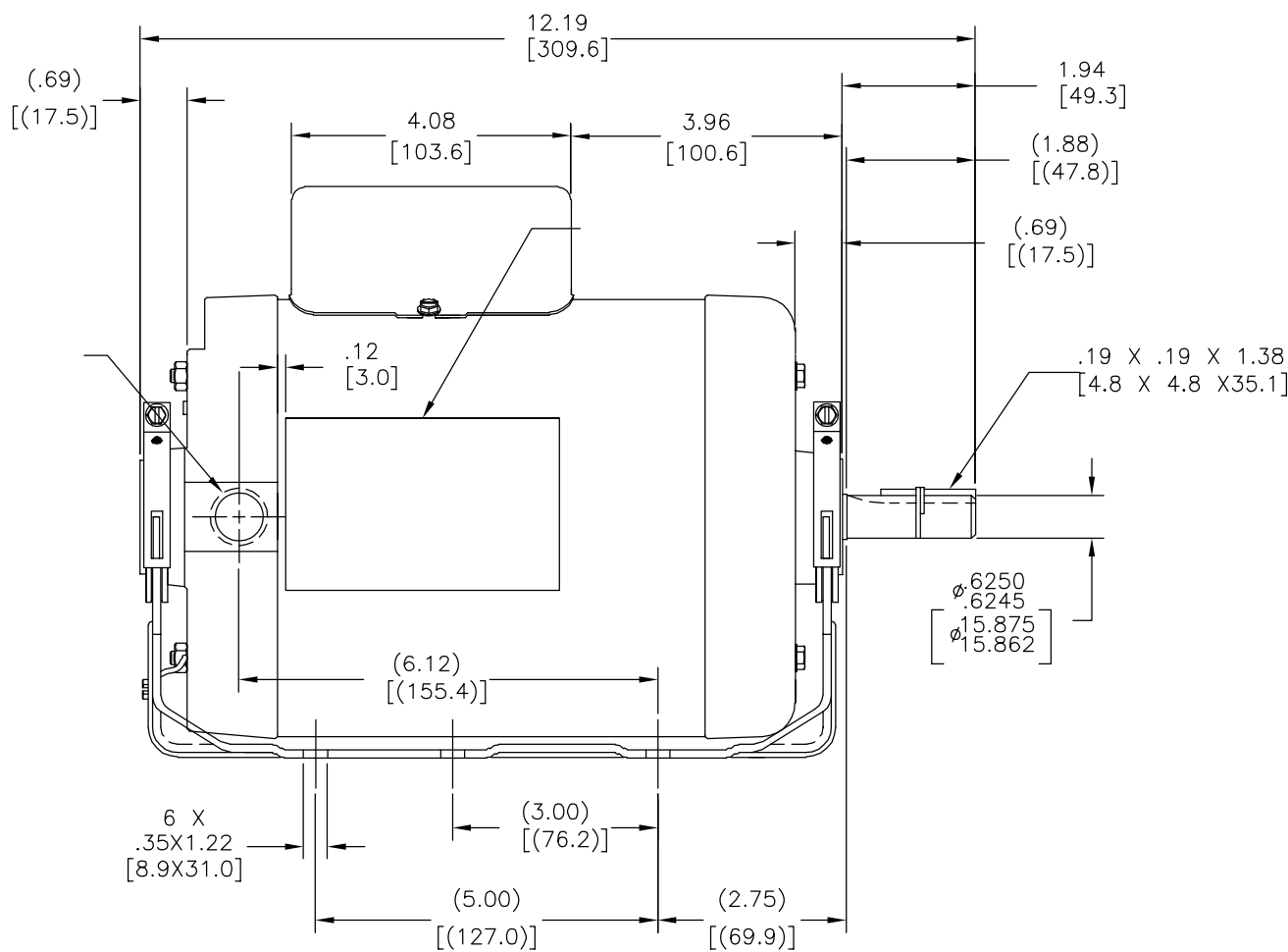
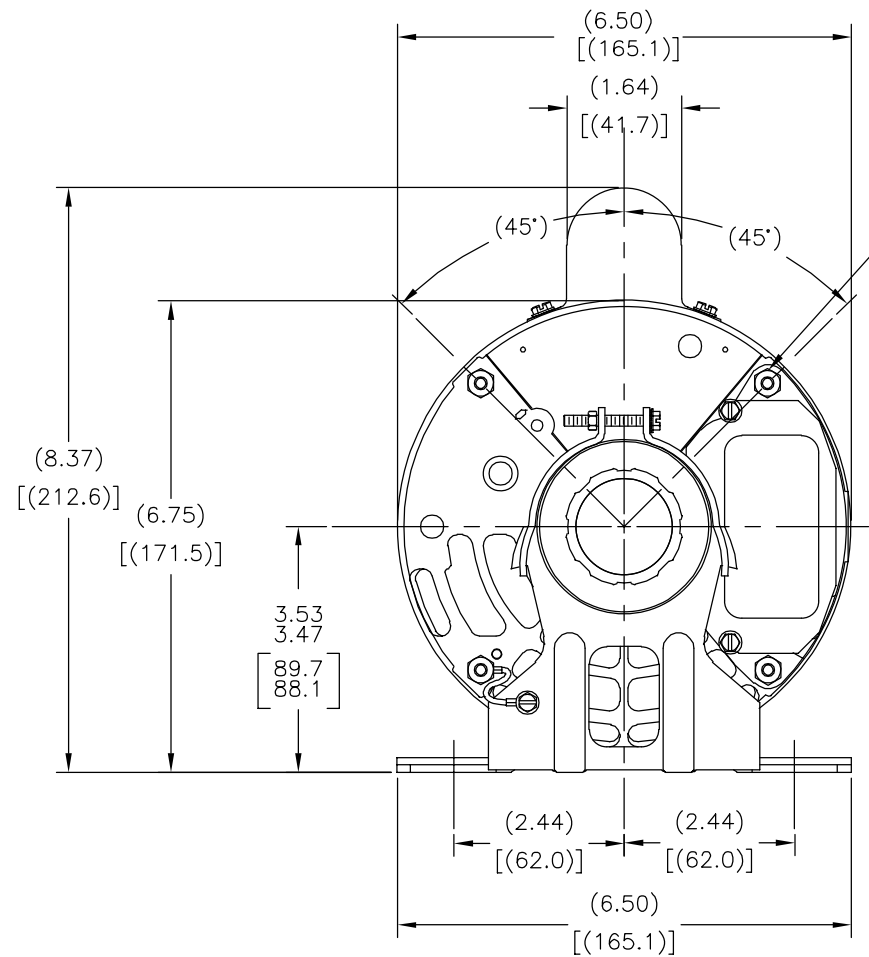
SCALE

NONE

SHEET

1

REVISION:	ECO	REVISADO POR:	FECHA:	APROBADO POR:	FECHA:
C	0025533	E.SINECIO	04-24-2012	R.RASCON	04-24-2012



NAMEPLATE DATA	EXTERNAL CONNECTION DIAGRAM	PERFORMANCE CURVE NO.	APPROVED SAMPLE OR REF. MODEL								
MODEL: 196424 CUST. P/N: B722L HP: 1.5 SF: 1.2 ROT: RCC RPM: 3450 TYPE: CS CODE: J FRAME: L 56 VOLTS: 208-230/115 AMPS: 8.6-8.0/16.0 MAX AMPS: . PH: 1 HZ: 60 INS: B AMB: 40°C DUTY: CONT THERMALLY PROTECTED	<p>NOTES:</p>	15554521 UL COMPONENT <table border="1"> <tr> <th>FILE#</th> <th>CCN#</th> <th>FILE#</th> <th>CLASS#</th> </tr> <tr> <td>E14663</td> <td>XEWR2</td> <td>LR4642</td> <td>4211-01</td> </tr> </table> ENCLOSURE: ODP MOTOR ASSEMBLY (REF.): 2010647-001 CUSTOMER: DISTRIBUTION	FILE#	CCN#	FILE#	CLASS#	E14663	XEWR2	LR4642	4211-01	. CSA DESCRIPCION: MODEL-CFHP-56FR OUTLINE TAMAÑO: C NUMERO DE DIBUJO: B722L ESCALA: NONE HOJA: 1
FILE#	CCN#	FILE#	CLASS#								
E14663	XEWR2	LR4642	4211-01								

CARACTERISTICAS DE GEOMETRIA Y SIMBOLOS

- PLANICIDAD
- RECTITUD
- ∠ ANGULARIDAD
- ⊥ PERPENDICULARIDAD (A ESQUADRA)
- // PARALELISMO
- REDONDEZ (CIRCULARIDAD)
- ∅ CILINDRICIDAD
- △ PERFIL DE CUALQUIER SUPERFICIE
- ∧ PERFIL DE CUALQUIER LINEA
- ∧ VARIACION
- ⊕ POSICION REAL
- ◎ CONCENTRICIDAD
- = SIMETRIA

ASME Y14.5M 1994

A MENOS QUE SE ESPECIFIQUE DE OTRA MANERA, LAS TOLERANCIAS DE LAS DIMS; SON LAS SIGUIENTES:

PULG ±.1 ±.02 ±.005 ±.0005
 mm ±0.5 ±0.13 ±0.013

ANG. ±.50 GRADOS

ELIMINAR REBABAS Y ORILLAS FILOSAS DEL BORDE.

PULG .003-.015 mm 0.1-0.4

FILETEAR ESQUINA: PULG .020 mm 0.5

MAQUINAR SUPERFICIES

PULG 125 mm 3.2

DIMS METRICAS MOSTRADAS [PARENTESIS]

DIBUJADO POR: TZ 11-08-2007

APROBADO POR: MO 01-10-2008

TERCER ANGULO DE PROYECCION

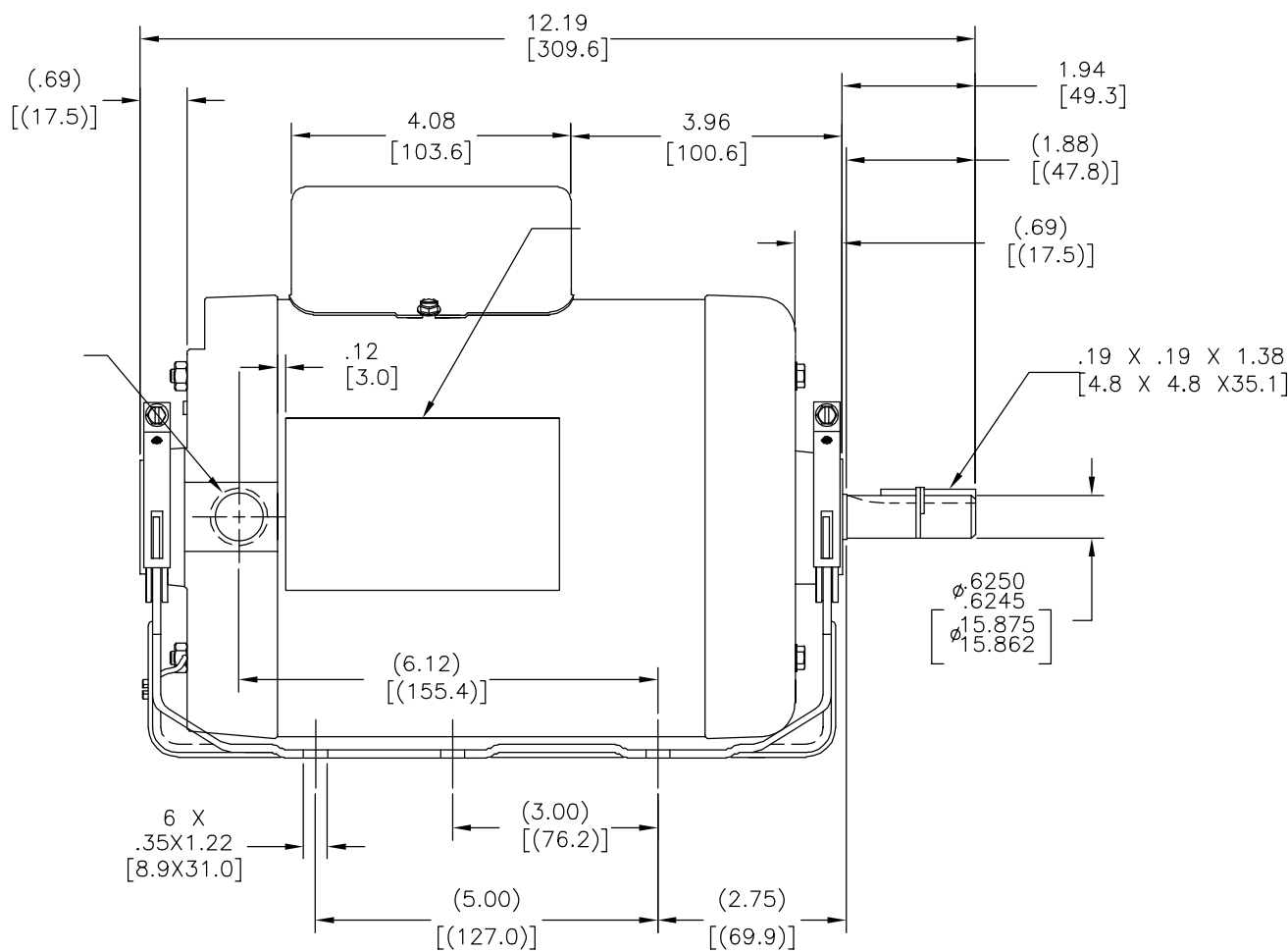
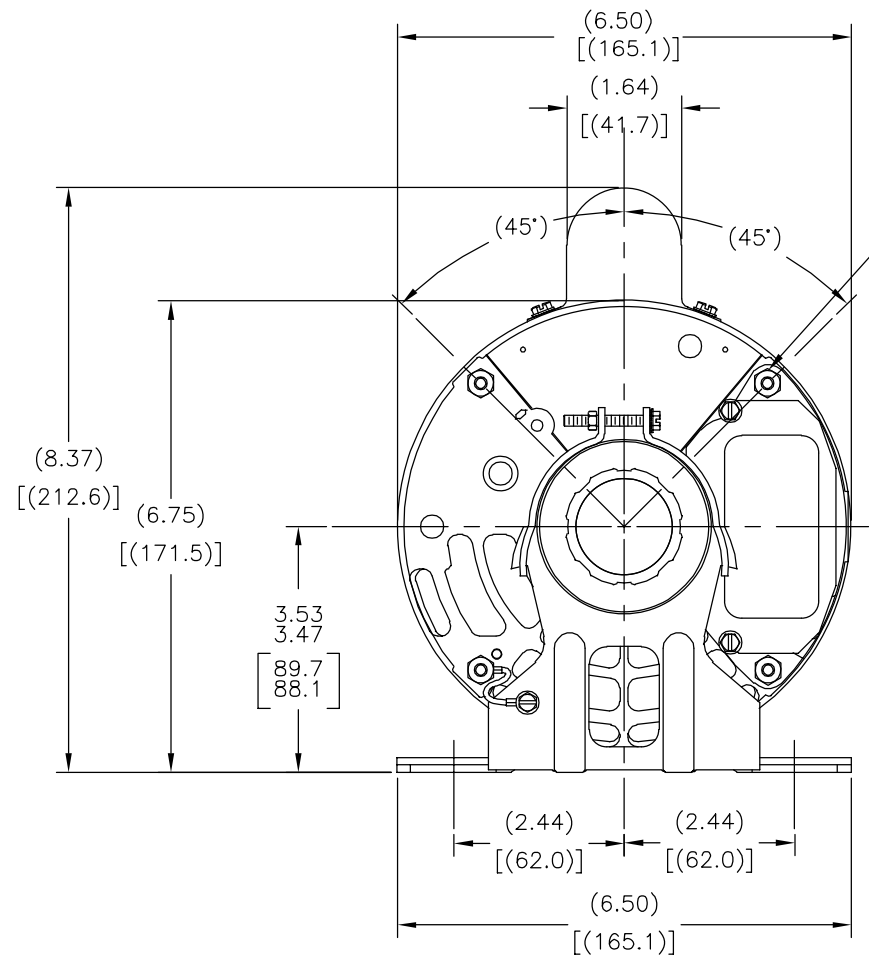
FECHA EDS: 02-22-2008

REV. FORMATO: G

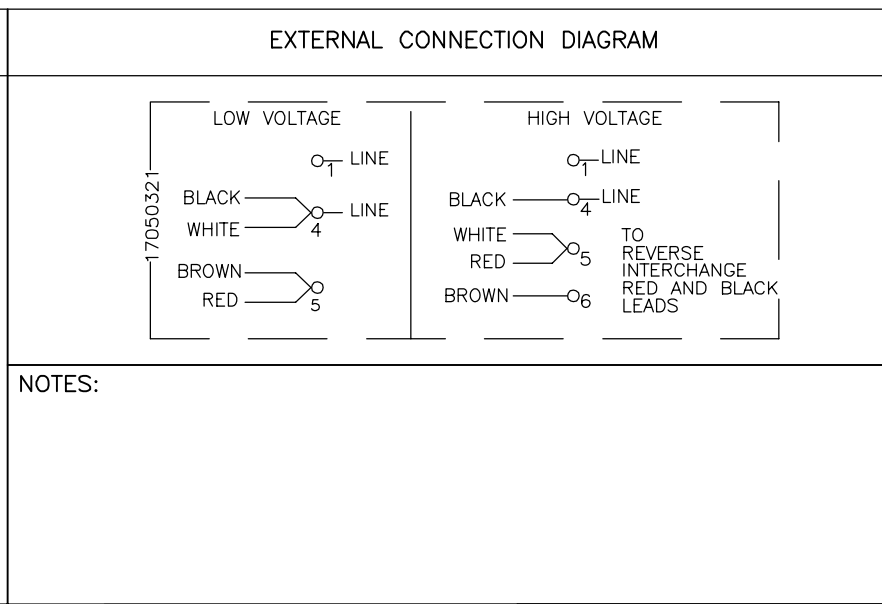
CONFIDENCIAL: ESTE DIBUJO Y SU INFORMACION SON PROPIEDAD DE USO EXCLUSIVO Y CONFIDENCIAL DE REGAL-BELOIT CORPORATION. Y NO DEBERAN SER REVELADOS, DUPLICADOS, DISTRIBUIDOS O USARSE DE OTRA MANERA SIN EL CONSENTIMIENTO ESCRITO DE REGAL-BELOIT CORPORATION. -TODOS LOS DERECHOS RESERVADOS.

DESCRIPCION:
 MODEL-CFHP-56FR
 OUTLINE
 TAMAÑO: C NUMERO DE DIBUJO: B722L
 ESCALA: NONE HOJA: 1

版本	ECO	编制	日期	批准	日期
C	0025533	E.SINECIO	04-24-2012	R.RASCON	04-24-2012



NAMEPLATE DATA
MODEL: 196424 CUST. P/N: B722L HP: 1.5 SF: 1.2 ROT: RCC RPM: 3450 TYPE: CS CODE: J FRAME: L 56 VOLTS: 208-230/115 AMPS: 8.6-8.0/16.0 MAX AMPS: . PH: 1 HZ: 60 INS: B AMB: 40°C DUTY: CONT THERMALLY PROTECTED



PERFORMANCE CURVE NO.	APPROVED SAMPLE OR REF. MODEL
15554521	.
UL COMPONENT	
FILE#	CCN#
E14663	XEWR2
ENCLOSURE: ODP	
MOTOR ASSEMBLY (REF.): 2010647-001	
CUSTOMER: DISTRIBUTION	

形位公差 □ 平面度 — 直线度 ∠ 倾斜度 ⊥ 垂直度 // 平行度 ○ 圆度 ⊙ 圆柱度 △ 面轮廓度 ⊖ 线轮廓度 ↗ 圆跳动 ⊕ 位置度 ⊙ 同轴度 ≡ 对称度	除另有注明 尺寸公差如下: 英寸 ±.1 ±.02 ±.005 ±.0005 毫米 ±0.5 ±0.13 ±0.013 角度 ±.50 度 清理毛刺和尖棱 英寸 .003-.015 毫米 0.1-0.4 内圆角 英寸 .020 毫米 0.5 表面粗糙度 英制 125 米制 3.2 米制尺寸显示在 []
---	---

绘图: TZ	11-08-2007
批准: MO	01-10-2008
第三角投影	图纸格式发布日期 02-22-2008 图纸格式版本 G
机密: 本图纸及相关信息所有权归REGAL-BELOIT CORPORATION 未经REGAL-BELOIT CORPORATION书面授权, 不得泄露、 复制、传播或作其他用途。—版权所有	

REGAL-BELOIT CORPORATION
 名称: MODEL-CFHP-56FR OUTLINE
 图幅: C 图号: B722L
 比例: NONE 页号: 1

4

3

2

1

4

3

2

1