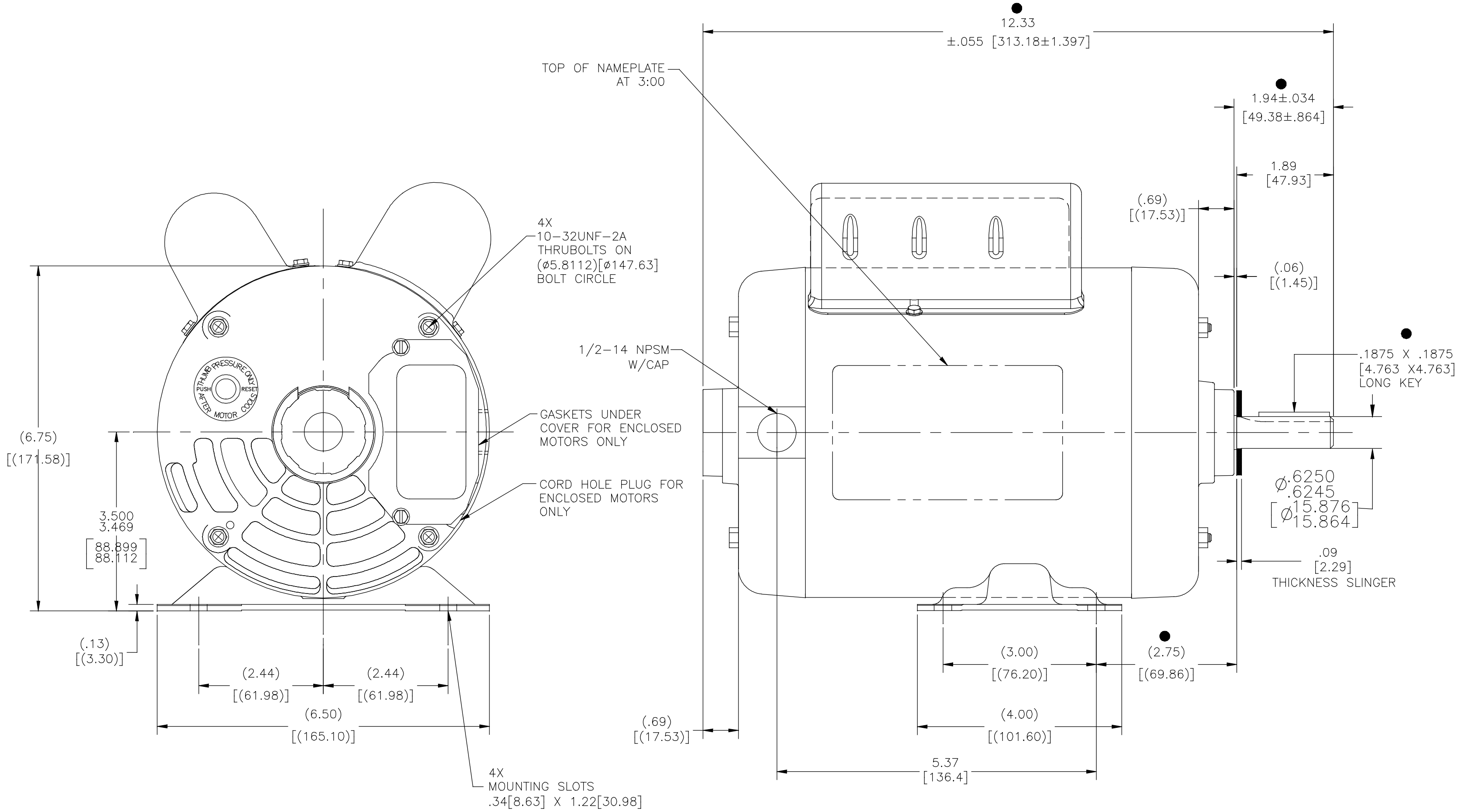


NOTE:
ALL DIMENSIONS SHOWN IN PARENTHESIS ARE REFERENCE DIMENSIONS.



DRAWING REVISION B	REVISION BY G. RODRIGUEZ	DATE 08-30-2018	TOLERANCES UNLESS OTHERWISE SPECIFIED DEC. INCH mm ANGLE .XX ±0.02 [±0.13] .XXX ±0.005 [±0.013] .XXXX ±0.0005 [±0.0013]	DRAWN BY: IGR	Regal Beloit America, Inc.
ECO 0151781	APPROVED BY G. RODRIGUEZ	DATE 08-30-2018	REMOVE BURRS & BREAK SHARP EDGES .003/.015 [08/38] CORNER FILLETS .02 [5] MACHINED SURFACES $\frac{125}{\text{INCH}} \sqrt{\frac{3.2}{\text{mm}}}$	DATE: 01/19/2017	
ECO DESCRIPTION LABES REMOVED, SEE ECO				APPROVED BY: IGR	DESCRIPTION OUTLINE
<small>COPYRIGHT REGAL BELOIT AMERICA, INC. ALL RIGHTS RESERVED. PROPRIETARY AND CONFIDENTIAL INFORMATION - THIS DOCUMENT IS THE PROPERTY OF REGAL BELOIT AMERICA, INC. (OWNER) AND CONTAINS OWNER'S PROPRIETARY INFORMATION. ANY PERSON, CORPORATION OR OTHER FIRM RECEIVING IT IS DEEMED, BY RECEIVING IT, TO AGREE THAT IT, AND/OR ANY PART OF IT, SHALL NOT BE DISCLOSED TO ANY PERSON, CORPORATION OR OTHER ENTITY, DUPLICATED, AND/OR USED, EXCEPT AS EXPRESSLY APPROVED IN WRITING IN ADVANCE BY OWNER. THIS DOCUMENT SHALL BE RETURNED TO OWNER UPON REQUEST. IT MAY BE SUBJECT TO CERTAIN RESTRICTIONS UNDER APPLICABLE EXPORT CONTROL LAWS AND REGULATIONS.</small>				DATE: 01/19/2017	MATERIAL
				REFERENCE	PROCESS/FINISH
				THIRD ANGLE PROJECTION	SIZE DWG NO C B702ES
					SHEET 1