

4

3

2

1

REV	ECO	REV BY	DATE	APPD	DATE
C	0025533	E.SINECIO	04-24-2012	R.RASCON	04-24-2012

D

D

C

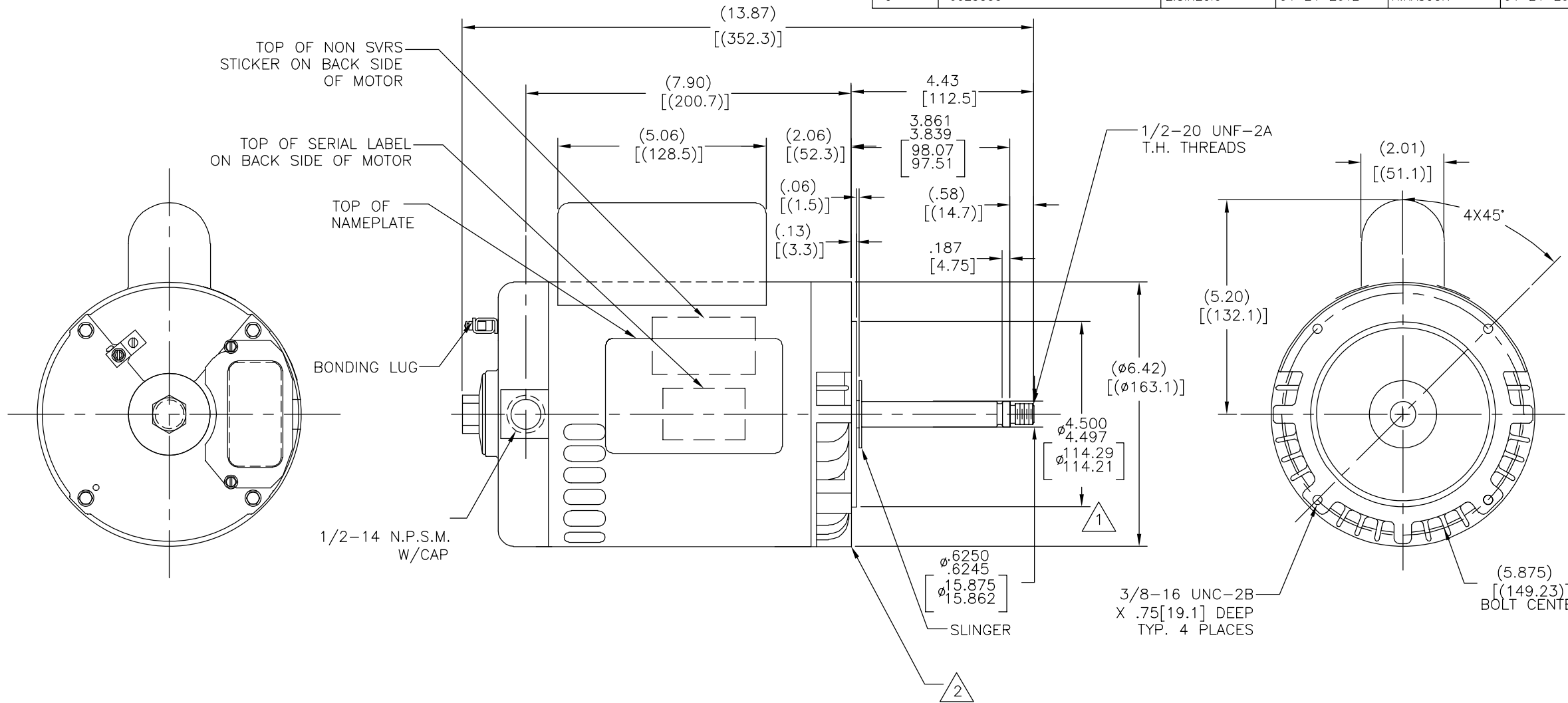
C

B

B

A

A



NAMEPLATE DATA	EXTERNAL CONNECTION DIAGRAM	NOTES
MODEL: 187400 CUST PN: B668 HP: 3/4 SF: 1.50 ROT: CCWPE RPM: 3450 TYPE: CX CODE: J FORM: - FRAME: S56CZ VOLTS: 230/115 AMPS: SF 6.5/13.0 MAX AMPS: - SF AMPS: - PH: 1 HZ: 60 INS: B AMB: 40°C DUTY: CONT ENCLOSURE: ODP THERMALLY PROTECTED		<ol style="list-style-type: none"> <li>PILOT DIAMETER IS CONCENTRIC WITH SHAFT CENTERLINE WITHIN .004[.10] T.I.R.</li> <li>FACE OF MOUNTING FLANGE IS PERPENDICULAR TO SHAFT CENTERLINE WITHIN .004[.10] T.I.R.</li> <li>SHAFT RUNOUT NOT TO EXCEED .002[.05] T.I.R.</li> <li>FOR THREADED SHAFT EXT. MATING PARTS SHOULD BE RELIEVED ONE THREAD TO CLEAR FILLET</li> <li>END PLAY NOT TO EXCEED .010[.25] MEASURED WITH NO THRUST</li> <li>ALL DIMENSIONS SHOWN IN PARENTHESIS ARE REFERENCE DIMENSIONS.</li> </ol>

PERFORMANCE CURVE	APPROVED SAMPLE		
16345111	-		
UL COMPONENT	CSA		
FILE#	CCN#	FILE#	GUIDE#
E14663	XEW42	LR4642	4211-01
CUSTOMER	DISTRIBUTION		

GEOMETRIC CHARACTERISTICS & SYMBOLS

- FLATNESS
- STRAIGHTNESS
- ∠ ANGULARITY
- ⊥ PERPENDICULARITY (SQUARENESS)
- // PARALLELISM
- ROUNDNESS (CIRCULARITY)
- ⊘ CYLINDRICITY
- △ PROFILE OF ANY SURFACE
- ∩ PROFILE OF ANY LINE
- ↑ RUNOUT
- ⊕ TRUE POSITION
- ⊙ CONCENTRICITY
- ≡ SYMMETRY

ASME Y14.5M 1994

UNLESS OTHERWISE SPECIFIED DIM. TOLERANCES ARE AS FOLLOWS:

INCH	±.1	±.02	±.005	±.0005
mm	±0.5	±0.13	±0.013	

ANG. ±.50 DEG  
 REMOVE BURRS & BREAK SHARP EDGES:  
 INCH .003-.015 mm 0.1-0.4  
 CORNER FILLETS TO:  
 INCH .020 mm 0.5  
 MACHINE SURFACES:  
 INCH 125 mm 3.2

METRIC DIMS. SHOWN IN [BRACKETS]

DR BY: YL 11-19-2010  
 APPD: TZ 11-19-2010  
 THIRD ANGLE PROJECTION  
 EDS DATE 02-22-2008  
 FORMAT REV G  
 CONFIDENTIAL: THIS DRAWING AND ITS INFORMATION ARE THE EXCLUSIVE AND CONFIDENTIAL PROPERTY OF REGAL-BELOIT CORPORATION AND ARE NOT TO BE DISCLOSED, DUPLICATED, DISTRIBUTED OR OTHERWISE USED WITHOUT THE WRITTEN CONSENT OF REGAL-BELOIT CORPORATION. -ALL RIGHTS RESERVED.

DESCRIPTION	
MODEL-CFHP-56FR OUTLINE	
SIZE C	DWG NO B668
SCALE NONE	SHEET 1

4

3

2

1

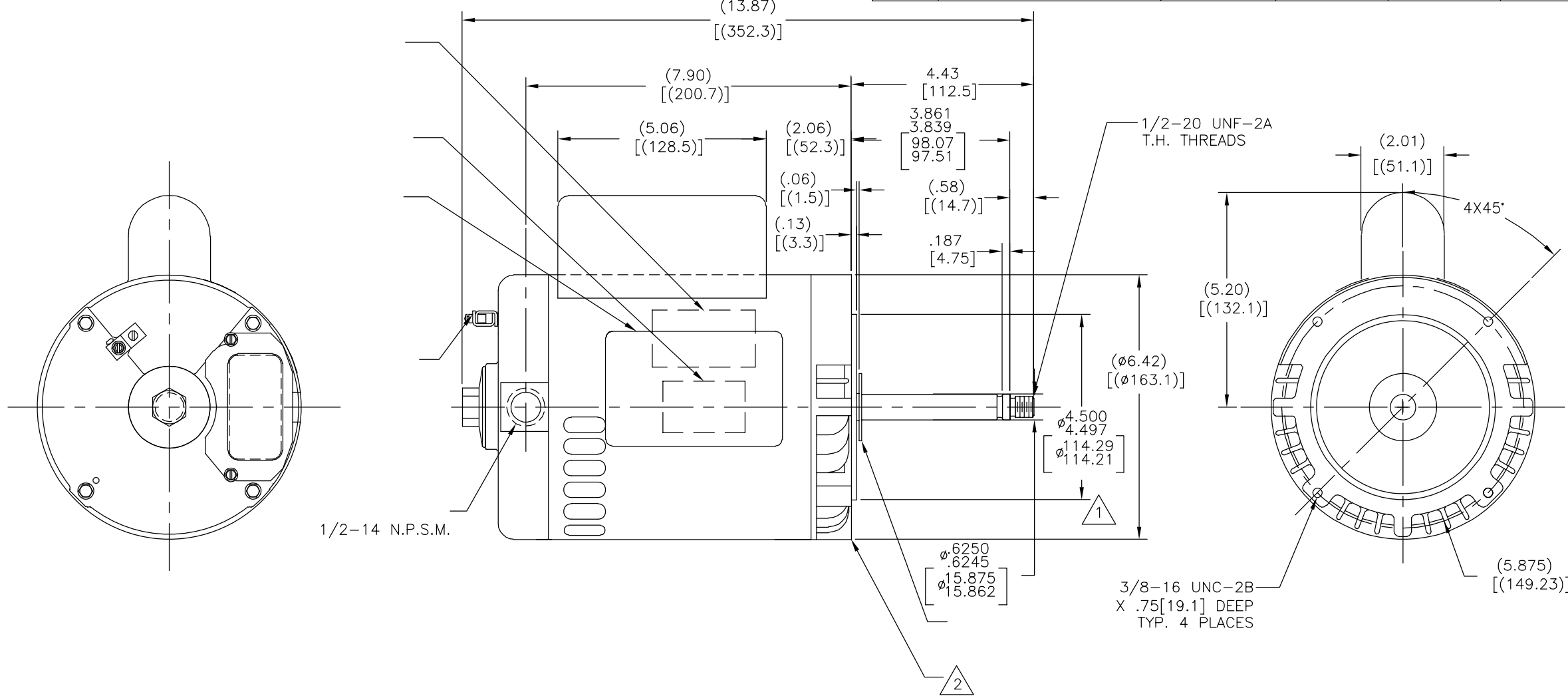
4

3

2

1

REVISION:	ECO	REVISADO POR:	FECHA:	APROBADO POR:	FECHA:
C	0025533	E.SINECIO	04-24-2012	R.RASCON	04-24-2012



NAMEPLATE DATA	EXTERNAL CONNECTION DIAGRAM	NOTES
MODEL: 187400 CUST PN: B668 HP: 3/4 SF: 1.50 ROT: CCWPE RPM: 3450 TYPE: CX CODE: J FORM: - FRAME: S56CZ VOLTS: 230/115 AMPS: SF 6.5/13.0 MAX AMPS: - SF AMPS: - PH: 1 HZ: 60 INS: B AMB: 40°C DUTY: CONT ENCLOSURE: ODP THERMALLY PROTECTED		

PERFORMANCE CURVE	APPROVED SAMPLE	CARACTERISTICAS DE GEOMETRIA Y SIMBOLOS ▽ PLANICIDAD - RECTITUD < ANGULARIDAD ⊥ PERPENDICULARIDAD (A ESCUADRA) // PARALELISMO ○ REDONDEZ (CIRCULARIDAD) ∅ CILINDRICIDAD △ PERFIL DE CUALQUIER SUPERFICIE ∩ PERFIL DE CUALQUIER LINEA ↗ VARIACION ⊕ POSICION REAL ⊙ CONCENTRICIDAD = SIMETRIA	DIBUJADO POR: YL	11-19-2010
16345111	-		APROBADO POR: TZ	11-19-2010
UL COMPONENT	CSA		TERCER ANGULO DE PROYECCION	FECHA EDS: 02-22-2008 REV. FORMATO: G
FILE# CCN# FILE# GUIDE#			CONFIDENCIAL: ESTE DIBUJO Y SU INFORMACION SON PROPIEDAD DE USO EXCLUSIVO Y CONFIDENCIAL DE REGAL-BELOIT CORPORATION. Y NO DEBERAN SER REVELADOS, DUPLICADOS, DISTRIBUIDOS O USARSE DE OTRA MANERA SIN EL CONSENTIMIENTO ESCRITO DE REGAL-BELOIT CORPORATION. -TODOS LOS DERECHOS RESERVADOS.	
E14663 XEW42 LR4642 4211-01		DIMS METRICAS MOSTRADAS [PARENTESIS]		

DESCRIPCION: MODEL-CFHP-56FR OUTLINE	
TAMAÑO: C	NUMERO DE DIBUJO: B668
ESCALA: NONE	HOJA: 1

4

3

2

1

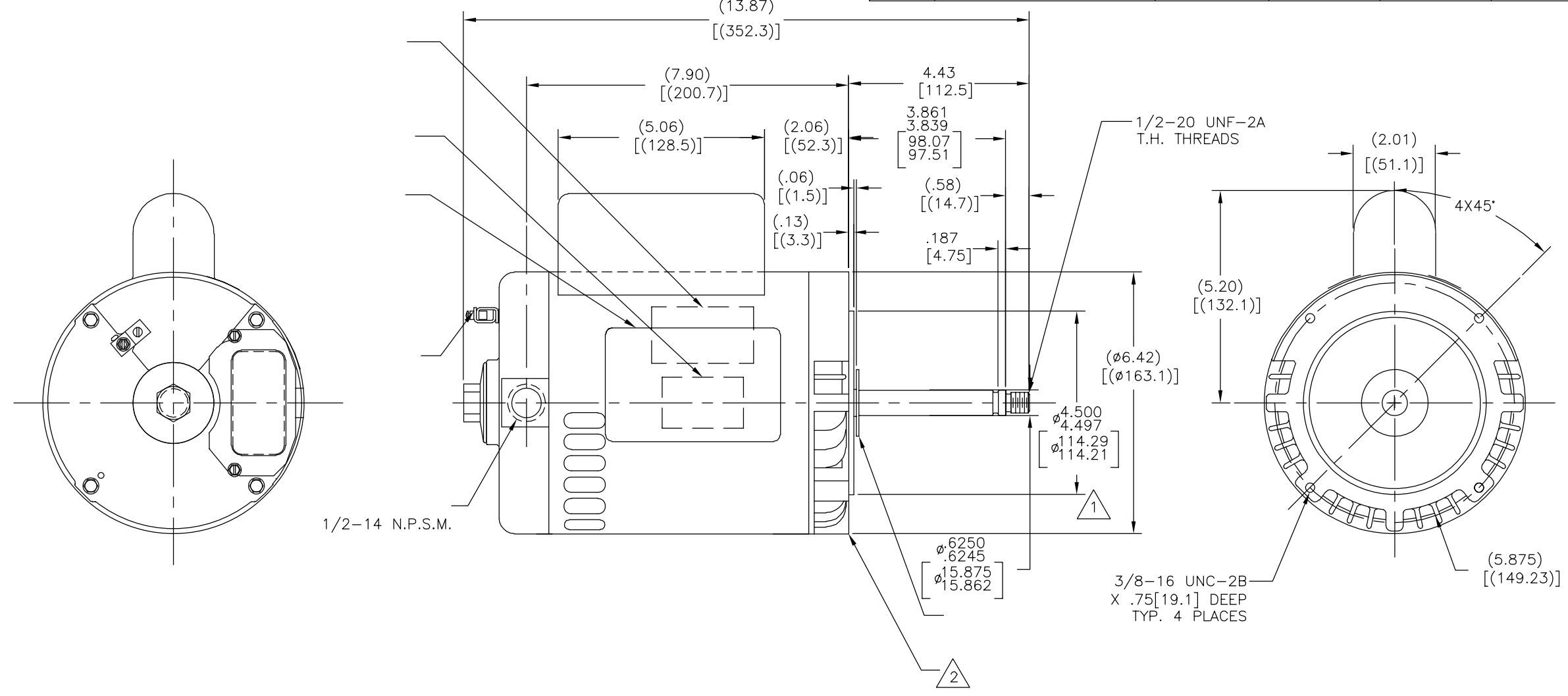
4

3

2

1

版本	ECO	编制	日期	批准	日期
C	0025533	E.SINECIO	04-24-2012	R.RASCON	04-24-2012



NAMEPLATE DATA	EXTERNAL CONNECTION DIAGRAM	NOTES
MODEL: 187400 CUST PN: B668 HP: 3/4 SF: 1.50 ROT: CCWPE RPM: 3450 TYPE: CX CODE: J FORM: - FRAME: S56CZ VOLTS: 230/115 AMPS: SF 6.5/13.0 MAX AMPS: - SF AMPS: - PH: 1 HZ: 60 INS: B AMB: 40°C DUTY: CONT ENCLOSURE: ODP THERMALLY PROTECTED		

PERFORMANCE CURVE	APPROVED SAMPLE		
16345111	-		
UL COMPONENT	CSA		
FILE#	CCN#	FILE#	GUIDE#
E14663	XEW42	LR4642	4211-01
CUSTOMER	DISTRIBUTION		

形位公差  
 □ 平面度  
 - 直线度  
 < 倾斜度  
 ⊥ 垂直度  
 // 平行度  
 ○ 圆度  
 ⊙ 圆柱度  
 △ 面轮廓度  
 ∩ 线轮廓度  
 ↗ 圆跳动  
 ⊕ 位置度  
 ⊗ 同轴度  
 ≡ 对称度

除另有注明  
 尺寸公差如下:  
 英寸 X XX XXX XXXX  
 毫米 ±0.1 ±0.02 ±0.005 ±0.0005  
 毫米 ±0.5 ±0.13 ±0.013  
 角度 ±.50 度  
 清理毛刺和尖棱  
 英寸 .003-.015 毫米 0.1-0.4  
 内圆角  
 英寸 .020 毫米 0.5  
 表面粗糙度  
 英制 125 米制 3.2

绘图: YL 11-19-2010  
 批准: TZ 11-19-2010  
 第三角投影  
 图纸格式发布日期 02-22-2008  
 图纸格式版本 G  
 机密: 本图纸及相关信息所有权归REGAL-BELOIT CORPORATION  
 未经REGAL-BELOIT CORPORATION书面授权, 不得泄露、  
 复制、传播或作其他用途。一版权所有

名称: MODEL-CFHP-56FR OUTLINE  
 图幅: C 图号: B668  
 比例: NONE 页号: 1

4

3

2

1

ASME Y14.5M 1994

米制尺寸显示在 [ ]