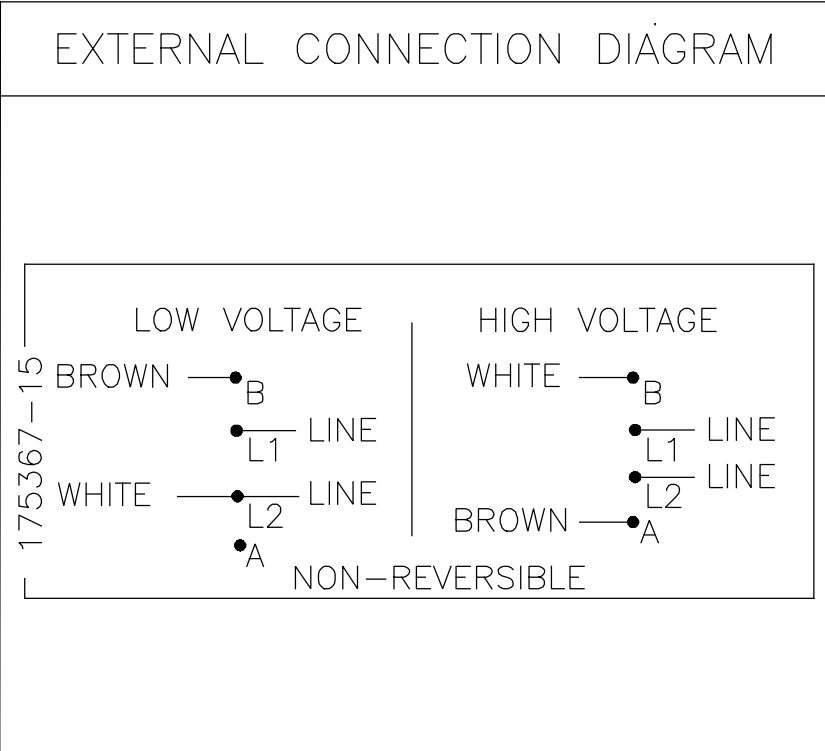


NAMEPLATE DATA	
MODEL: 165120	
CUST PN: B654	
HP: 1.0	SF: 1.40
ROT: CCWPE	
RPM: 3450	
TYPE: CX	CODE: J
FORM:	FRAME: X 56 J
VOLTS: 208-230/115	
AMPS:	
MAX AMPS:	
SF AMPS: 6.4-5.9/11.8	
PH: 1	HZ: 60
INS: B	AMB: 50°C
DUTY: CONT	
ENCLOSURE: ODP	
THERMALLY PROTECTED	



NOTES

1. PILOT DIAMETER IS CONCENTRIC WITH SHAFT q WITHIN .004[.10] T.I.R.

2. FACE OF MOUNTING FLANGE IS PERPENDICULAR TO SHAFT q WITHIN .004[.10] T.I.R.

3. SHAFT RUNOUT NOT TO EXCEED .002[.05] T.I.R

4. END PLAY NOT TO EXCEED .010[.25] MEASURED WITH NO THRUST

PERFORMANCE CURVE	APPROVED SAMPLE		
16380611			
UL COMPONENT	CSA		
FILE#	CCN#	FILE#	GUIDE#
E14663	XEWR2	LR4642	4211-01
CUSTOMER	DISTRIBUTION		

DRAWING REVISION	REVISION BY	DATE	TOLERANCES UNLESS OTHERWISE SPECIFIED	DRAWN BY:	REGAL™ Regal Beloit America, Inc.
D	G. RODRIGUEZ	04-25-2019	DEC. INCH mm ANGLE	YL	
ECO	APPROVED BY	DATE	.X ±0.1 [±2.5] ±0.5°	DATE:	
ECO-0165900	G. RODRIGUEZ	04-25-2019	.XX ±0.02 [±0.51]	11-01-2010	
ECO DESCRIPTION			.XXX ±0.005 [±0.127]	APPROVED BY:	DESCRIPTION
SEE ECO			.XXXX ±0.0005 [±0.0127]	TZ	OUTLINE
<small>COPYRIGHT REGAL BELOIT AMERICA, INC. ALL RIGHTS RESERVED. PROPRIETARY AND CONFIDENTIAL INFORMATION - THIS DOCUMENT IS THE PROPERTY OF REGAL BELOIT AMERICA, INC. (OWNER) AND CONTAINS OWNER'S PROPRIETARY INFORMATION. ANY PERSON, CORPORATION OR OTHER FIRM RECEIVING IT IS DEEMED, BY RECEIVING IT, TO AGREE THAT IT, AND/OR ANY PART OF IT, SHALL NOT BE DISCLOSED TO ANY PERSON, CORPORATION OR OTHER ENTITY, DUPLICATED, AND/OR USED, EXCEPT AS EXPRESSLY APPROVED IN WRITING IN ADVANCE BY OWNER. THIS DOCUMENT SHALL BE RETURNED TO OWNER UPON REQUEST. IT MAY BE SUBJECT TO CERTAIN RESTRICTIONS UNDER APPLICABLE EXPORT CONTROL LAWS AND REGULATIONS.</small>			REMOVE BURRS & BREAK SHARP EDGES .003/.015 [0.076/.381] X 45°	DATE:	MATERIAL
			CORNER FILLETS R.02 [51]	11-01-2010	PROCESS/FINISH
			MACHINED SURFACES 125/3.2	REFERENCE	SIZE DWG NO
			mm SHOWN IN [BRACKETS]	THIRD ANGLE PROJECTION	C B654
					SHEET 1