

GENERAL INFORMATION:

SHAFT RUNOUT: .001 [.025] T.I.R. PER INCH LENGTH OF EXTENSION

END PLAY: .010[.254] TO .063[1.600]

BEARINGS: SLEEVE

MOUNTING: HORIZONTAL

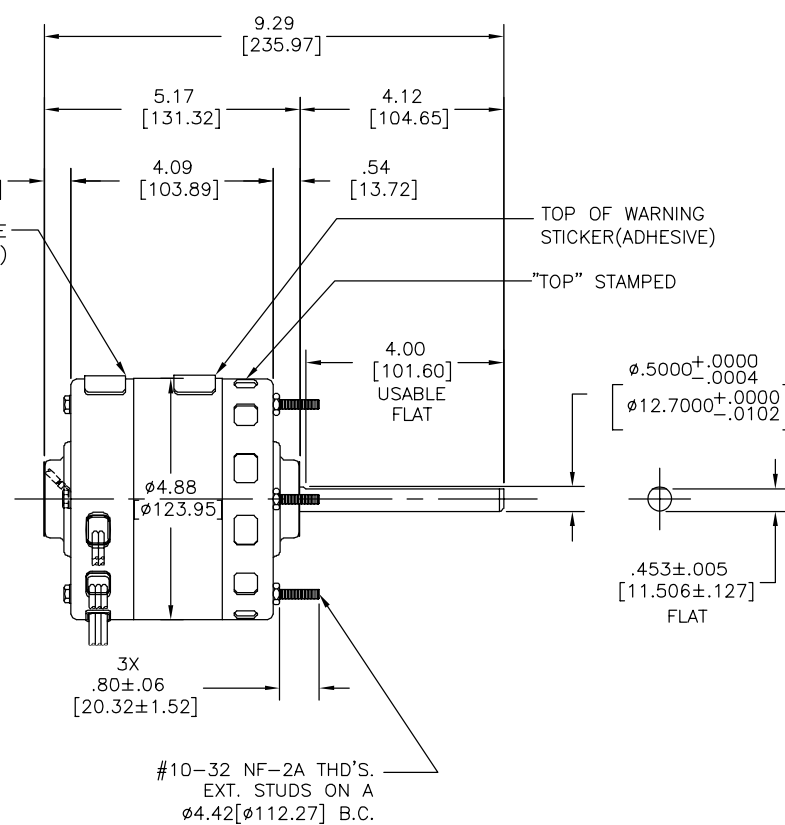
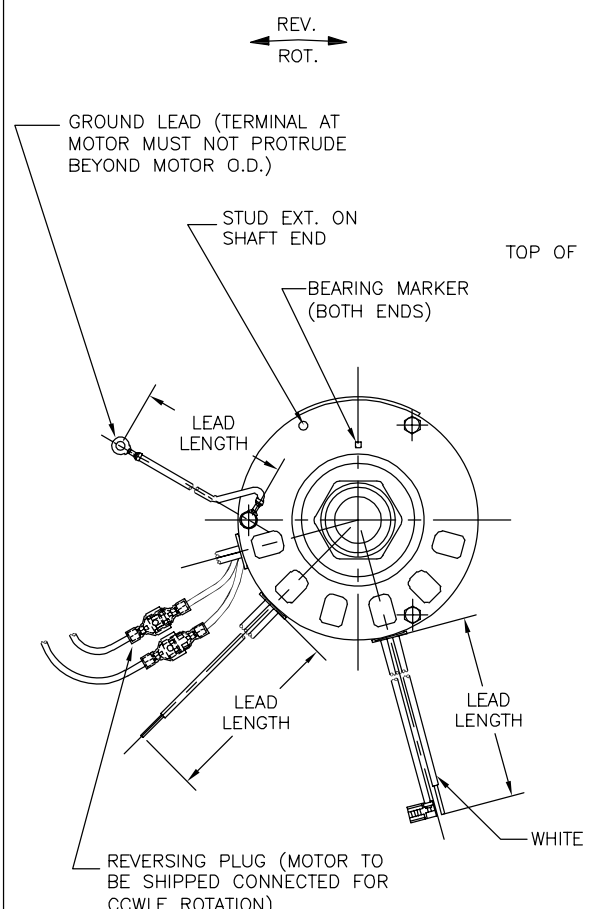
ELECTRICAL DATA:

OVERLOAD PROTECTOR: AUTOMATIC RESET (SENSATA 7AM 304)

LINE LEADS: NO. 18 GA., .03 [.76] THK. 125°C INSUL.

REVERSING LEADS: NO. 18 GA., 125°C INSUL. (.03 THK. BLACK,BLUE, AND WHITE) (.06 THK. BROWN)

GROUND LEAD: NO. 18 GA., .03 [.76] THK. (GREEN) INSUL.



GREEN(GRD)	5.0/7.0[127.0/177.8]	#10 EYELET
BLUE(REV)	4.0/6.0[101.6/152.4]	PRE-INSUL. TAB TERM.
BLACK(REV)	4.0/6.0[101.6/152.4]	PRE-INSUL. SPADE TERM.
WHITE(REV)	4.0/6.0[101.6/152.4]	PRE-INSUL. TAB TERM.
BROWN(REV)	4.0/6.0[101.6/152.4]	PRE-INSUL. SPADE TERM.
BROWN/WHITE TRACER	12.0/14.0[304.8/355.6]	.25[6.35] FLAG
BROWN	12.0/14.0[304.8/355.6]	.25[6.35] FLAG
BLUE	28.0/30.0[711.2/762.0]	.60 [15.24] SKIN
RED	28.0/30.0[711.2/762.0]	.60 [15.24] SKIN
BLACK	28.0/30.0[711.2/762.0]	.60 [15.24] SKIN
WHITE	28.0/30.0[711.2/762.0]	.60 [15.24] SKIN
COLOR	LENGTH	TERMINAL OR STRIP LENGTH

REGAL-BELOIT CORPORATION (RBC) PROVIDES TECHNICAL ASSISTANCE TO OUR CUSTOMERS IN SEVERAL AREAS. SINCE RBC DOES NOT RECEIVE ALL DATA CONCERNING THE USE AND APPLICATION OF THE MOTOR, THE SUITABILITY OF THE MOTOR FOR THE APPLICATION MUST BE DETERMINED BY THE CUSTOMER.

DIMENSIONS WITHOUT TOLERANCES ARE FOR REFERENCE ONLY.

MAIN FRAME - OLE	OPEN
END FRAME - OLE	OPEN
MAIN FRAME - LE	OPEN-BELOW t
END FRAME - LE	OPEN-BELOW t

NAMEPLATE DATA:	EXTERNAL CONNECTION DIAGRAM
MODEL: 322P925 CUST. P/N: B6520 HP: 1/4 1/5 1/6 ROT: REV. RPM: 1075/3 SPD TYPE: FLL FRAME: 42Y VOLTS: 230 PH: 1 AMPS: 2.0 HZ: 60 INS: B* AMB: 40C DUTY: AIR OVER CODE: - CAP.: 5 MFD/370V UL LOGO CSA LOGO THERMALLY PROTECTED TYPE C	
	ROTATION AT LEAD END CW CCW WHT BRN BLK WHT BLU BLU BRN BLK

PERFORMANCE CURVE NO.	TORQUE @1075 RPM (25°C)	APPROVED SAMPLE	UL COMPONENT		CSA	
C30185	20.0 OZ. FT.	PSE7727C	FILE #	CCN #	FILE #	CLASS #
			E45993	PRGY2	LR43341	4211-01

DRAWING REVISION		REVISION BY	DATE
A		C.ZHAO	12-18-2014
ECO		APPROVED BY	DATE
0067294		C.ZHANG	12-18-2014
ECO DESCRIPTION			
NEW DRAWING			
COPYRIGHT REGAL-BELOIT AMERICA, INC. ALL RIGHTS RESERVED. PROPRIETARY AND CONFIDENTIAL INFORMATION - THIS DOCUMENT IS THE PROPERTY OF REGAL-BELOIT AMERICA, INC. (OWNER) AND CONTAINS OWNER'S PROPRIETARY INFORMATION. ANY PERSON, CORPORATION OR OTHER FIRM RECEIVING IT IS DEEMED, BY RECEIVING IT, TO AGREE THAT IT, AND/OR ANY PART OF IT, SHALL NOT BE DISCLOSED TO ANY PERSON, CORPORATION OR OTHER ENTITY, DUPLICATED, AND/OR USED, EXCEPT AS EXPRESSLY APPROVED IN WRITING IN ADVANCE BY OWNER. THIS DOCUMENT SHALL BE RETURNED TO OWNER UPON REQUEST. IT MAY BE SUBJECT TO CERTAIN RESTRICTIONS UNDER APPLICABLE EXPORT CONTROL LAWS AND REGULATIONS.			

DRAWN BY:	C.ZHAO
DATE:	12-18-2014
APPROVED BY:	C.ZHANG
DATE:	12-18-2014
REFERENCE	
THIRD ANGLE PROJECTION	
SIZE	DWG NO
C	B6520
SHEET	1

Regal Beloit America, Inc.	
DESCRIPTION	
MODEL-RFHP-42FR OUTLINE	
MATERIAL	PROCESS/FINISH