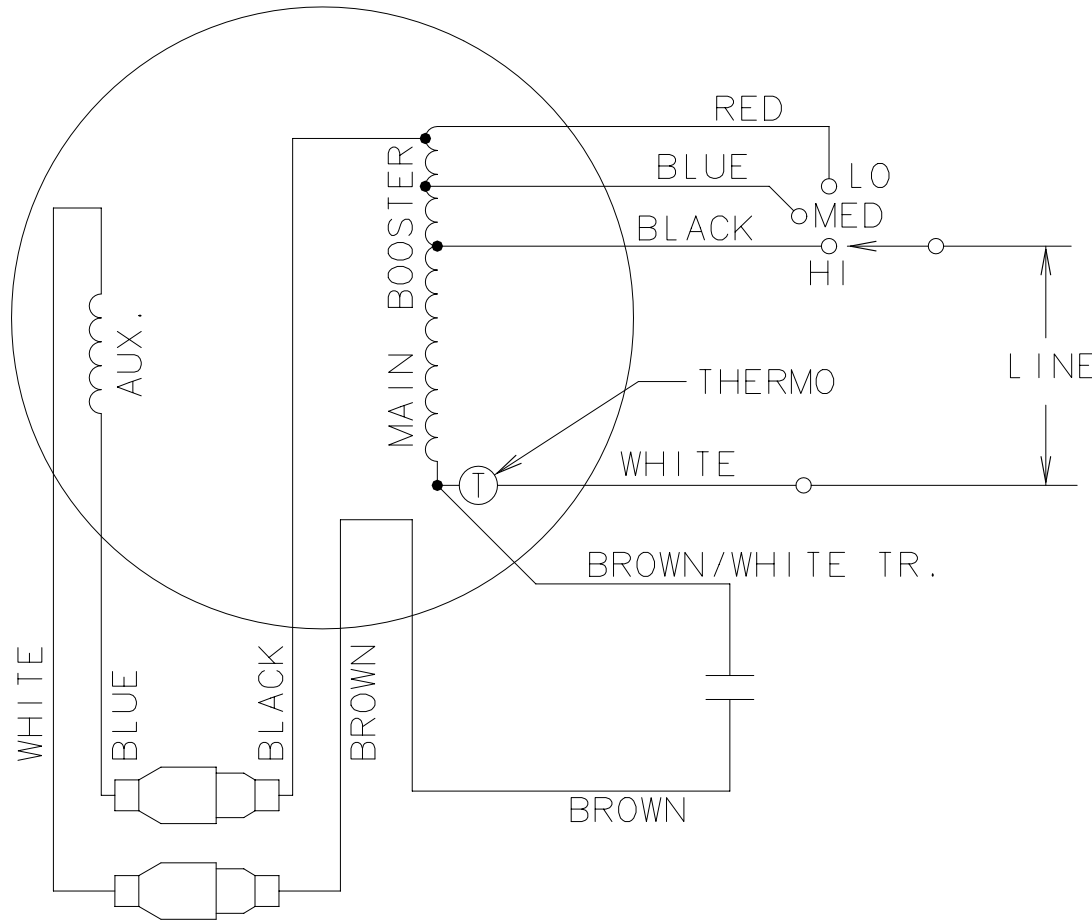


CONFIDENTIAL: THIS DRAWING AND ITS INFORMATION ARE THE EXCLUSIVE AND CONFIDENTIAL PROPERTY OF A.O.SMITH CORP. AND ARE NOT TO BE DISCLOSED, DUPLICATED, DISTRIBUTED OR OTHERWISE USED WITHOUT THE WRITTEN CONSENT OF A.O.SMITH CORP. - ALL RIGHTS RESERVED




**QUALITY CONTROL NOTE**

TO CHECK THE WINDINGS FOR OPENS, VERIFY THE CONTINUITY BETWEEN THE PLAIN BROWN LEAD & THE WHITE LEAD AND BETWEEN THE PLAIN BROWN & THE RED LEAD.

CCW  
 BROWN — WHITE  
 BLUE — BLACK

CW  
 WHITE — BLACK  
 BLUE — BROWN

REV. ROT., TYPE FLL,  
 "L" CONNECT

	DATE	CHANGED FROM	NOTICE	MATERIAL	PROCESS	<b>A.O. SMITH</b> A DIVISION OF A.O. SMITH CORPORATION <b>ELECTRICAL PRODUCTS COMPANY</b> TIPP CITY, OHIO		 COPYRIGHT 1992
				FIRST MODEL 322P925	SHEET 1 OF 1	DRAWN BY HEATH	NPN NO. 17615	DESCRIPTION FR.42 TYPE FLL DIAG. MLW
				NO. OF MODELS 1	REFERENCE 617730	SCALE NONE	APPROVED BY	REL. DATE 7/21/87
				LIMITS UNLESS OTHERWISE SPECIFIED: FRACTIONS ± NONE ANGLES ± NONE DECIMALS ± NONE		GROUP CODE FR42	FILE CODE CONEXT	PART NO. <b>617836</b>

\* CADAM DWG. -DO NOT ALTER

B# 10