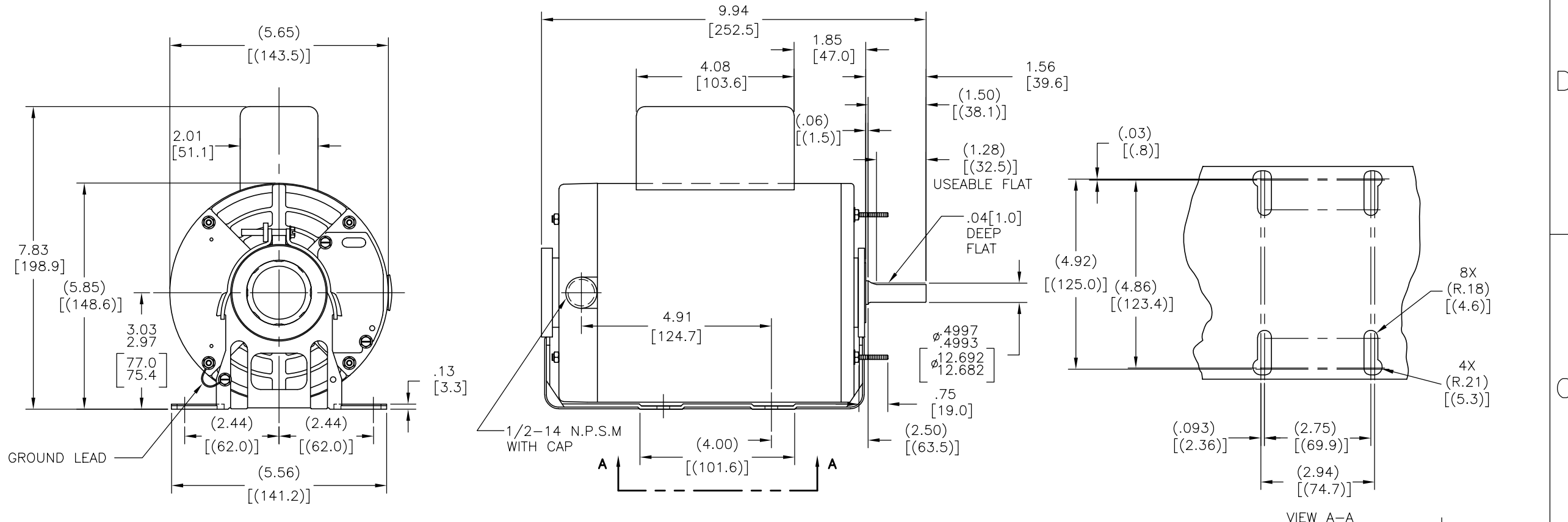
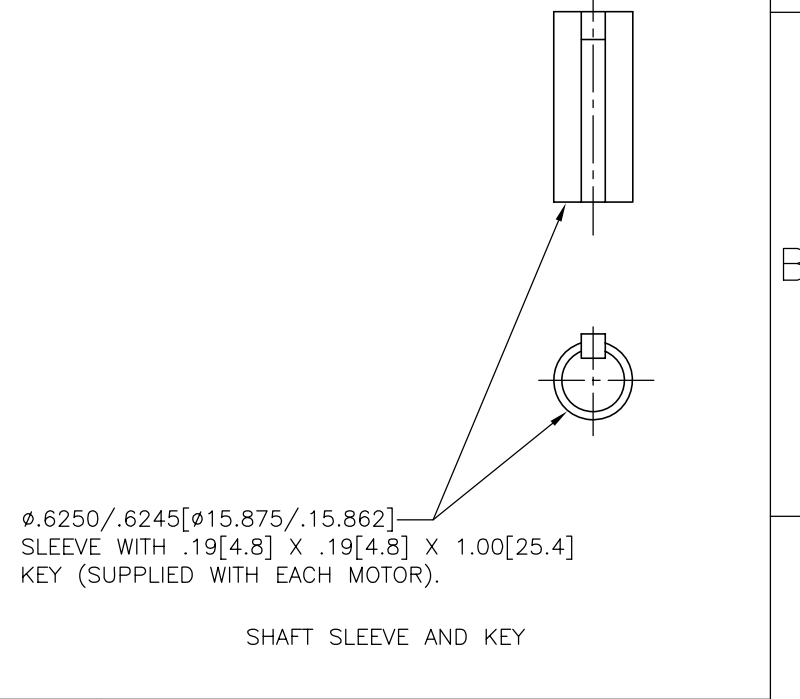


REV	REFERENCE ECN	REFERENCE PROJECT	REV BY	DATE	APPD	DATE
A		03923201	Steve	03-05-2008	SWeber	03-05-2008



NAMEPLATE DATA	EXTERNAL CONNECTION DIAGRAM	PERFORMANCE CURVE NO.	APPROVED SAMPLE OR REF. MODEL												
MODEL: B590 CUST. P/N: HP: 1/2 SF: 1.25 ROT: RCC RPM: 3450 TYPE: CS CODE: K FRAME: L 48 Y VOLTS: 115/208-230 AMPS: 8.0/3.8-4.0 MAX AMPS: PH: 1 HZ: 60 INS: B AMB: 40°C DUTY: THERMALLY PROTECTED	<table border="1"> <tr> <th>LOW VOLTAGE</th> <th>HIGH VOLTAGE</th> </tr> <tr> <td> YEL/BLK — 1 LINE RED — 4 BROWN — 5 ORANGE — 5 BLACK — LINE WHITE — LINE YELLOW — 6 </td> <td> YEL/BLK — 1 LINE BROWN — 3 RED — 4 ORANGE — 4 WHITE — 5 BLACK — LINE YELLOW — 6 </td> </tr> </table> <p>TO REVERSE INTERCHANGE RED AND BLACK LEADS</p>	LOW VOLTAGE	HIGH VOLTAGE	YEL/BLK — 1 LINE RED — 4 BROWN — 5 ORANGE — 5 BLACK — LINE WHITE — LINE YELLOW — 6	YEL/BLK — 1 LINE BROWN — 3 RED — 4 ORANGE — 4 WHITE — 5 BLACK — LINE YELLOW — 6	17100311	-----								
LOW VOLTAGE	HIGH VOLTAGE														
YEL/BLK — 1 LINE RED — 4 BROWN — 5 ORANGE — 5 BLACK — LINE WHITE — LINE YELLOW — 6	YEL/BLK — 1 LINE BROWN — 3 RED — 4 ORANGE — 4 WHITE — 5 BLACK — LINE YELLOW — 6														
	NOTES:	<table border="1"> <tr> <th colspan="2">UL COMPONENT</th> <th colspan="2">CSA</th> </tr> <tr> <th>FILE#</th> <th>CCN#</th> <th>FILE#</th> <th>CLASS#</th> </tr> <tr> <td>-----</td> <td>---</td> <td>-----</td> <td>-----</td> </tr> </table>	UL COMPONENT		CSA		FILE#	CCN#	FILE#	CLASS#	-----	---	-----	-----	
UL COMPONENT		CSA													
FILE#	CCN#	FILE#	CLASS#												
-----	---	-----	-----												
		ENCLOSURE: ODP	CUSTOMER:												



GEOMETRIC CHARACTERISTICS & SYMBOLS

- FLATNESS
- STRAIGHTNESS
- ANGULARITY
- PERPENDICULARITY (SQUARENESS)
- PARALLELISM
- ROUNDNESS (CIRCULARITY)
- CYLINDRICITY
- PROFILE OF ANY SURFACE
- PROFILE OF ANY LINE
- RUNOUT
- TRUE POSITION
- CONCENTRICITY
- SYMMETRY

UNLESS OTHERWISE SPECIFIED DIM. TOLERANCES ARE AS FOLLOWS:

INCH	±.1	±.02	±.005	±.0005
mm	±0.5	±0.13	±0.013	

ANG. ±.50 DEG
 REMOVE BURRS & BREAK SHARP EDGES:
 INCH .003-.015 mm 0.1-0.4
 CORNER FILLETS TO:
 INCH .020 mm 0.5
 MACHINE SURFACES:
 INCH 125 mm 3.2
 METRIC DIMS. SHOWN IN [BRACKETS]

DR BY: SFW
 APPD: KG
 02-29-2008
 03-05-2008
 EDS DATE 01-21-2007
 FORMAT REV E
 THIRD ANGLE PROJECTION
 CONFIDENTIAL: THIS DRAWING AND ITS INFORMATION ARE THE EXCLUSIVE AND CONFIDENTIAL PROPERTY OF A.O. SMITH CORP. AND ARE NOT TO BE DISCLOSED, DUPLICATED, DISTRIBUTED OR OTHERWISE USED WITHOUT THE WRITTEN CONSENT OF A.O. SMITH CORP.
 -ALL RIGHTS RESERVED. ASME Y14.5M 1994

A.O. SMITH
 ELECTRICAL PRODUCTS COMPANY
 TIPP CITY, OHIO
 A DIVISION OF A. O. SMITH CORPORATION
 COPYRIGHT 1995

DESCRIPTION: OUTLINE OP/EN CUSHION BASE BB
 SIZE: C DWG NO: B590
 SCALE: NONE SHEET: 1

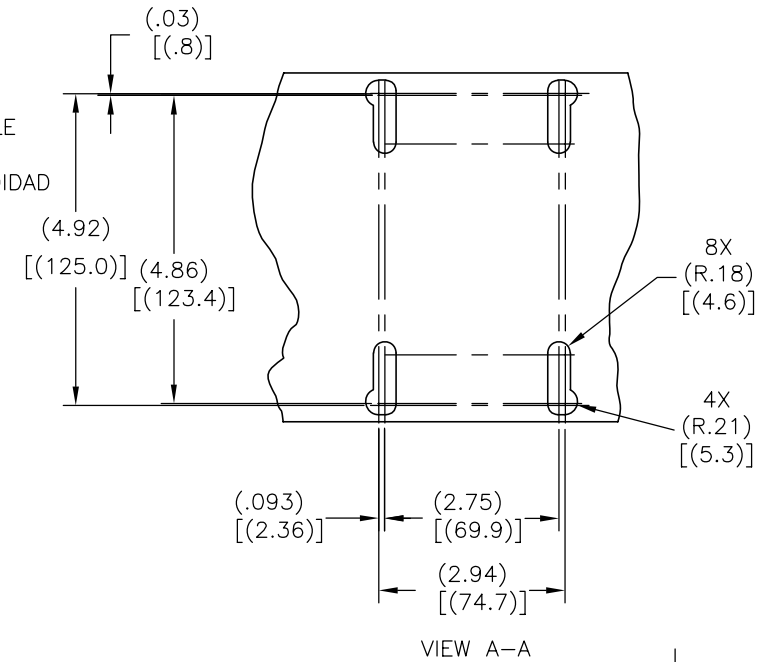
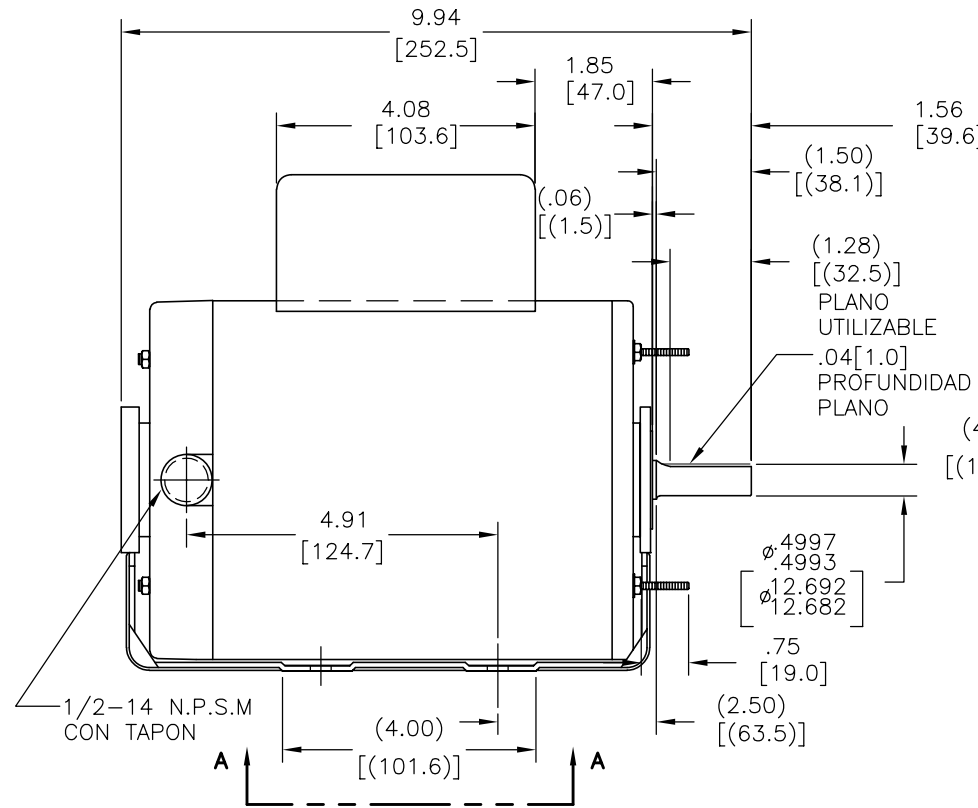
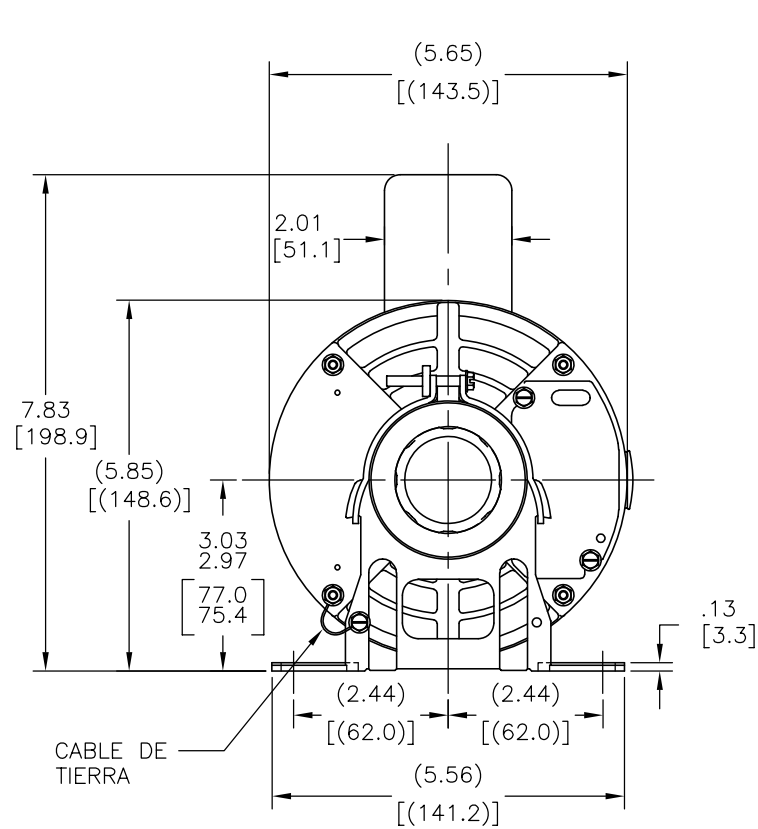
4

3

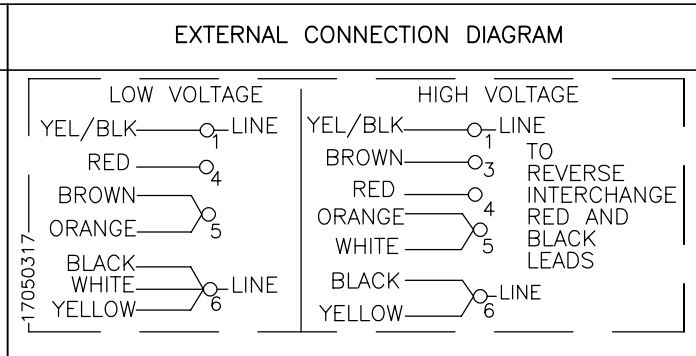
2

1

REVISION: A	ECN REFERENCIA:	PROYECTO REFERENCIA: 03923201	REVISADO POR: Steve	FECHA: 03-05-2008	APROBADO POR: SWeber	FECHA: 03-05-2008
-------------	-----------------	-------------------------------	---------------------	-------------------	----------------------	-------------------

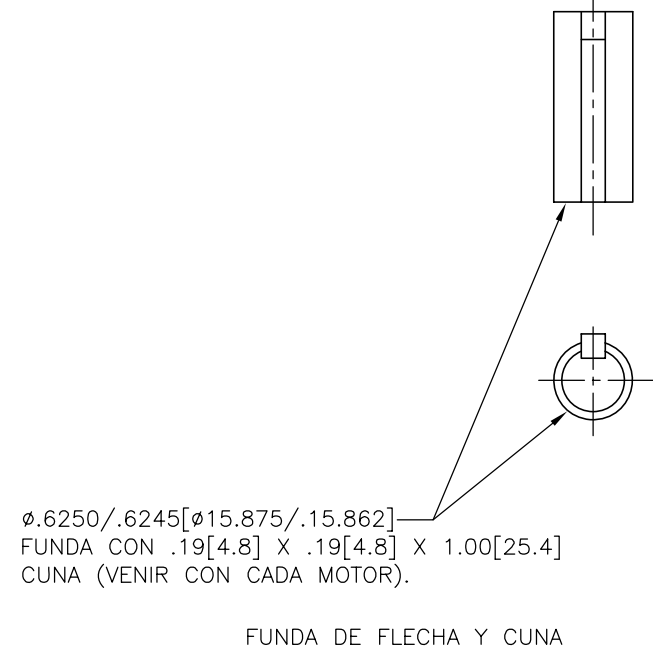


NAMEPLATE DATA
MODEL: B590
CUST. P/N:
HP: 1/2
SF: 1.25
ROT: RCC
RPM: 3450
TYPE: CS
CODE: K
FRAME: L 48 Y
VOLTS: 115/208-230
AMPS: 8.0/3.8-4.0
MAX AMPS:
PH: 1
HZ: 60
INS: B
AMB: 40°C
DUTY:
THERMALLY PROTECTED



PERFORMANCE CURVE NO.		APPROVED SAMPLE OR REF. MODEL	
17100311		-----	
UL COMPONENT		CSA	
FILE#	CCN#	FILE#	CLASS#
-----	---	-----	-----
ENCLOSURE: ODP		CUSTOMER:	

NOTES:



B

B

A

A

CARACTERISTICAS DE GEOMETRIA Y SIMBOLOS

- ✓ PLANICIDAD
- RECTITUD
- ∠ ANGULARIDAD
- ⊥ PERPENDICULARIDAD (A ESQUADRA)
- // PARALELISMO
- REDONDEZ (CIRCULARIDAD)
- ∅ CILINDRICIDAD
- △ PERFIL DE CUALQUIER SUPERFICIE
- ∩ PERFIL DE CUALQUIER LINEA
- ∧ VARIACION
- ⊕ POSICION REAL
- ◎ CONCENTRICIDAD
- = SIMETRIA

A MENOS QUE SE ESPECIFIQUE DE OTRA MANERA, LAS TOLERANCIAS DE LAS DIMS; SON LAS SIGUIENTES:

PULG ±.1 ±.02 ±.005 ±.0005

mm ±0.5 ±0.13 ±0.013

ANG. ± 50 GRADOS

ELIMINAR REBABAS Y ORILLAS FILOSAS DEL BORDE.

PULG .003-.015 mm 0.1-0.4

FILETEAR ESQUINA: PULG .020 mm 0.5

MAQUINAR SUPERFICIES

PULG 125 mm 3.2

DIMS METRICAS MOSTRADAS [PARENTESIS]

DIBUJADO POR: SFW

APROBADO POR: KG

TERCER ANGULO DE PROYECCION

CONFIDENCIAL: ESTE DIBUJO Y SU INFORMACION SON PROPIEDAD DE USO EXCLUSIVO Y CONFIDENCIAL DE A.O.SMITH CORP. Y NO DEBERAN SER REVELADOS, DUPLICADOS, DISTRIBUIDOS O USARSE DE OTRA MANERA SIN EL CONSENTIMIENTO ESCRITO DE A.O. SMITH CORP. -TODOS LOS DERECHOS RESERVADOS. ASME Y14.5M 1994

02-29-2008		
03-05-2008	A DIVISION OF A. O. SMITH CORPORATION ELECTRICAL PRODUCTS COMPANY TIPP CITY, OHIO COPYRIGHT 1995	
FECHA EDS: 01-21-2007	DESCRIPCION: OUTLINE OP/EN CUSHION BASE BB	
REV. FORMATO: E	TAMAÑO: C	NUMERO DE DIBUJO: B590
	ESCALA: NONE	HOJA: 1

4

3

2

1

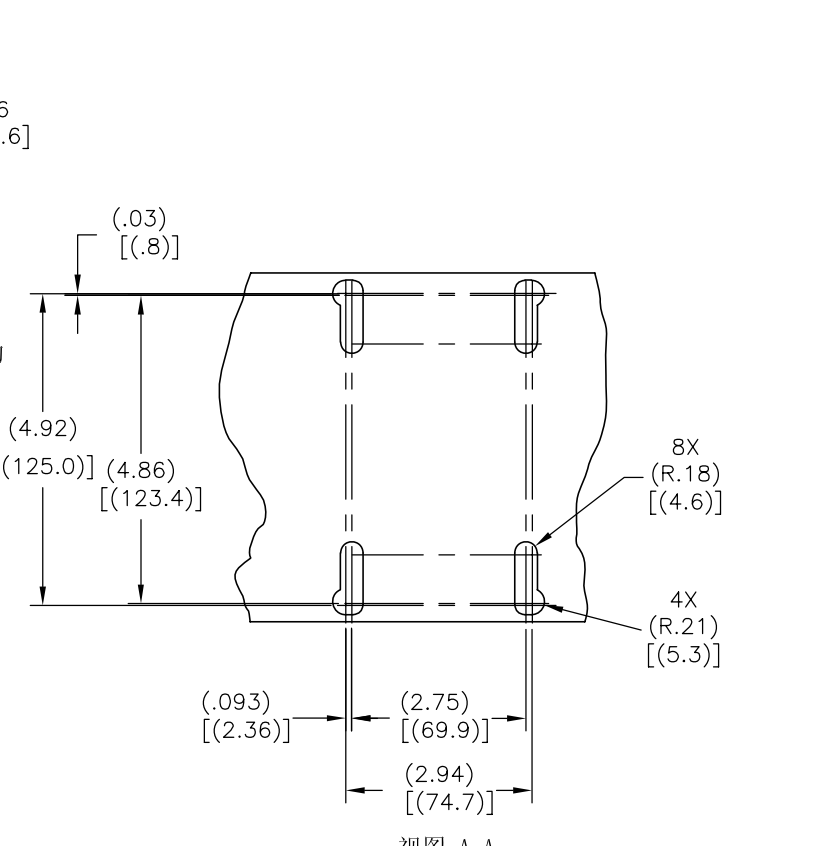
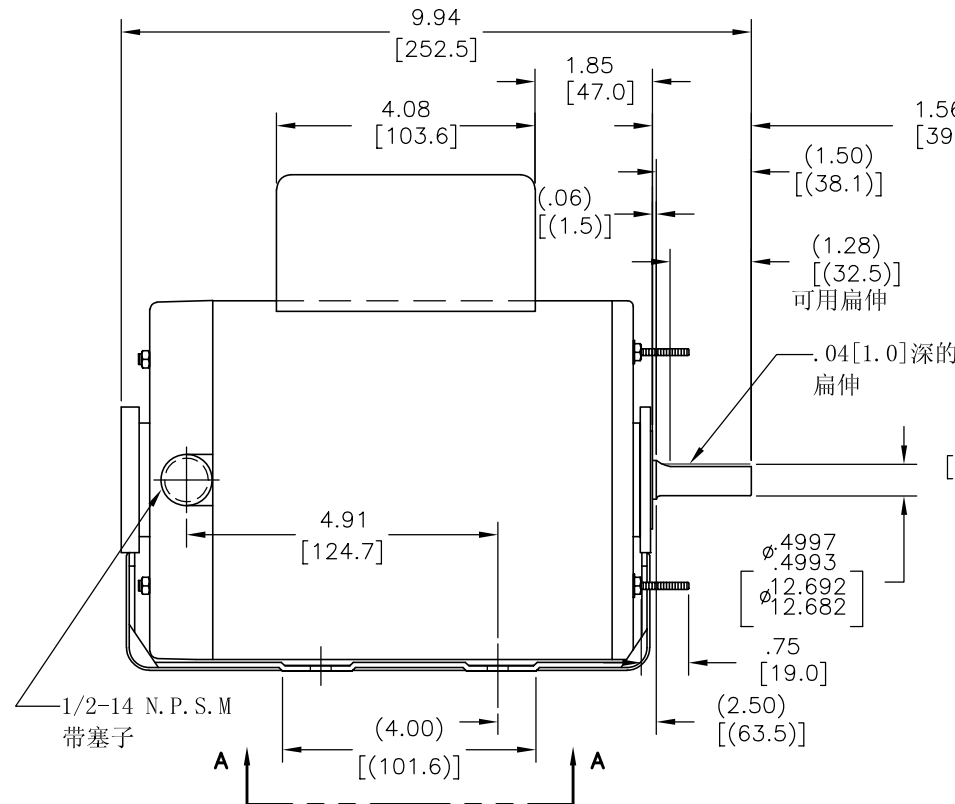
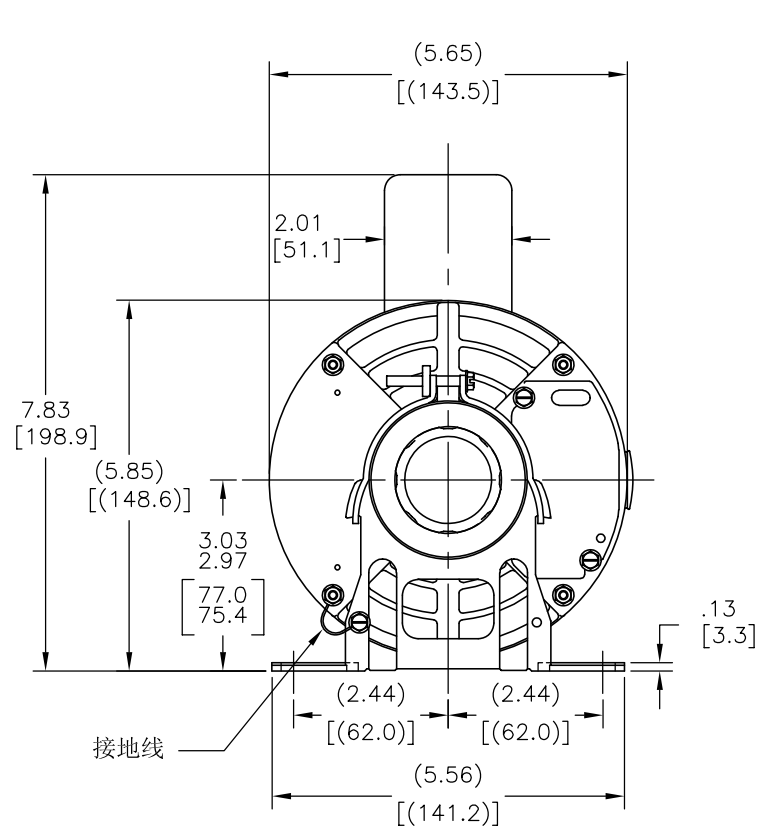
4

3

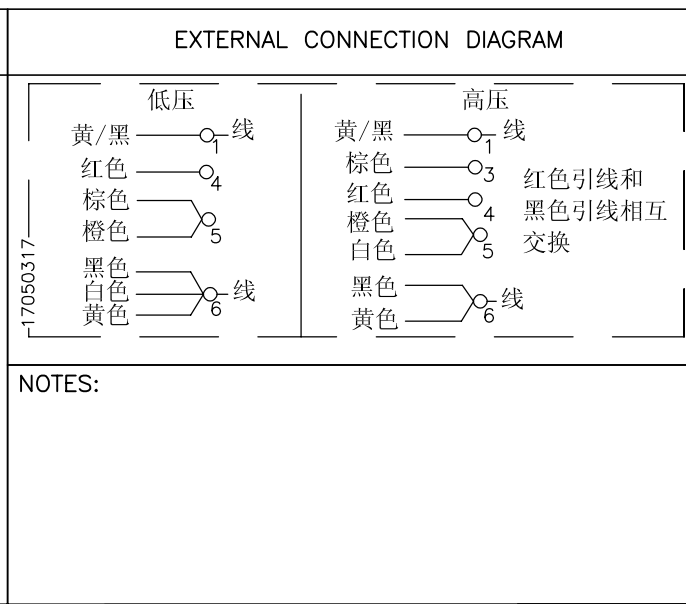
2

1

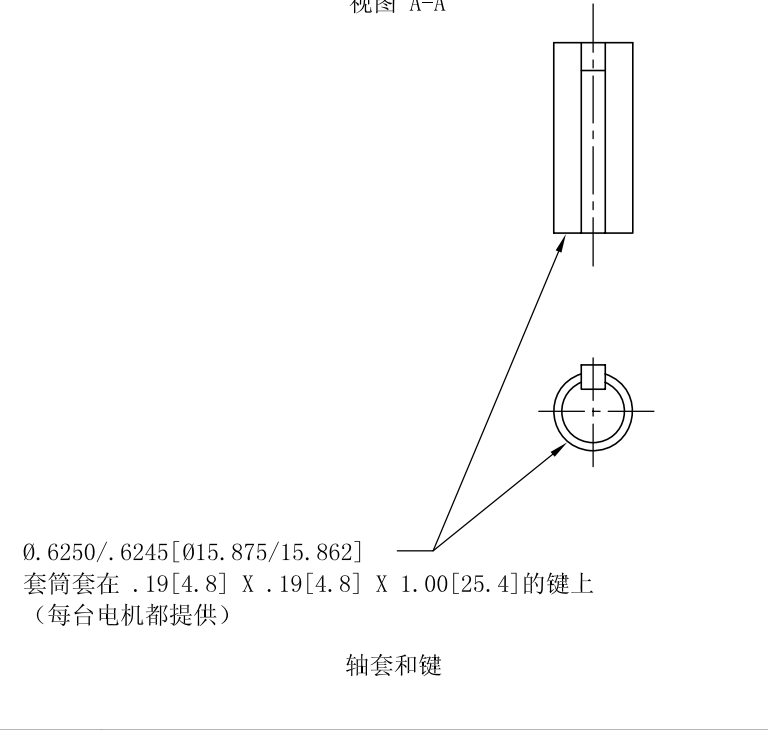
版本	更改通知号	项目号	编制	日期	批准	日期
A		03923201	Steve	03-05-2008	SWeber	03-05-2008



NAMEPLATE DATA
MODEL: B590 CUST. P/N: HP: 1/2 SF: 1.25 ROT: RCC RPM: 3450 TYPE: CS CODE: K FRAME: L 48 Y VOLTS: 115/208-230 AMPS: 8.0/3.8-4.0 MAX AMPS: PH: 1 HZ: 60 INS: B AMB: 40°C DUTY: THERMALLY PROTECTED



PERFORMANCE CURVE NO.	APPROVED SAMPLE OR REF. MODEL		
17100311	-----		
UL COMPONENT	CSA		
FILE#	CCN#	FILE#	CLASS#
-----	---	-----	-----
ENCLOSURE: ODP		CUSTOMER:	



- 形位公差
- 平面度
- 直线度
- ∠ 倾斜度
- ⊥ 垂直度
- ∥ 平行度
- 圆度
- ⊘ 圆柱度
- ⊖ 面轮廓度
- ⊖ 线轮廓度
- ↗ 圆跳动
- ⊕ 位置度
- ⊙ 同轴度
- ≡ 对称度

除另有注明
 尺寸公差如下:
 英寸 X XX XXX XXXX
 毫米 ±0.1 ±0.02 ±0.005 ±0.0005
 角度 ±.50 度
 清理毛刺和尖棱
 英寸 .003-.015 毫米 0.1-0.4
 内圆角
 英寸 .020 毫米 0.5
 表面粗糙度
 英制 125 米制 3.2
 米制尺寸显示在 []

绘图:	SFW	02-29-2008
批准:	KG	03-05-2008
第三角投影	⊕	图纸格式发布日期 01-21-2007 图纸格式版本 E
机密: 本图纸及相关信息所有权归A. O. SMITH公司所有。 未经A. O. SMITH公司书面授权, 不得泄露、复制、传播或作 其他用途。— 版权所有		
ASME Y14.5M 1994		

A. O. SMITH A DIVISION OF A. O. SMITH CORPORATION
 ELECTRICAL PRODUCTS COMPANY TIPP CITY, OHIO COPYRIGHT 1995

名称: **OUTLINE OP/EN CUSHION BASE BB**

图幅: C 图号: **B590**

比例: NONE 页号: 1

4

3

2

1