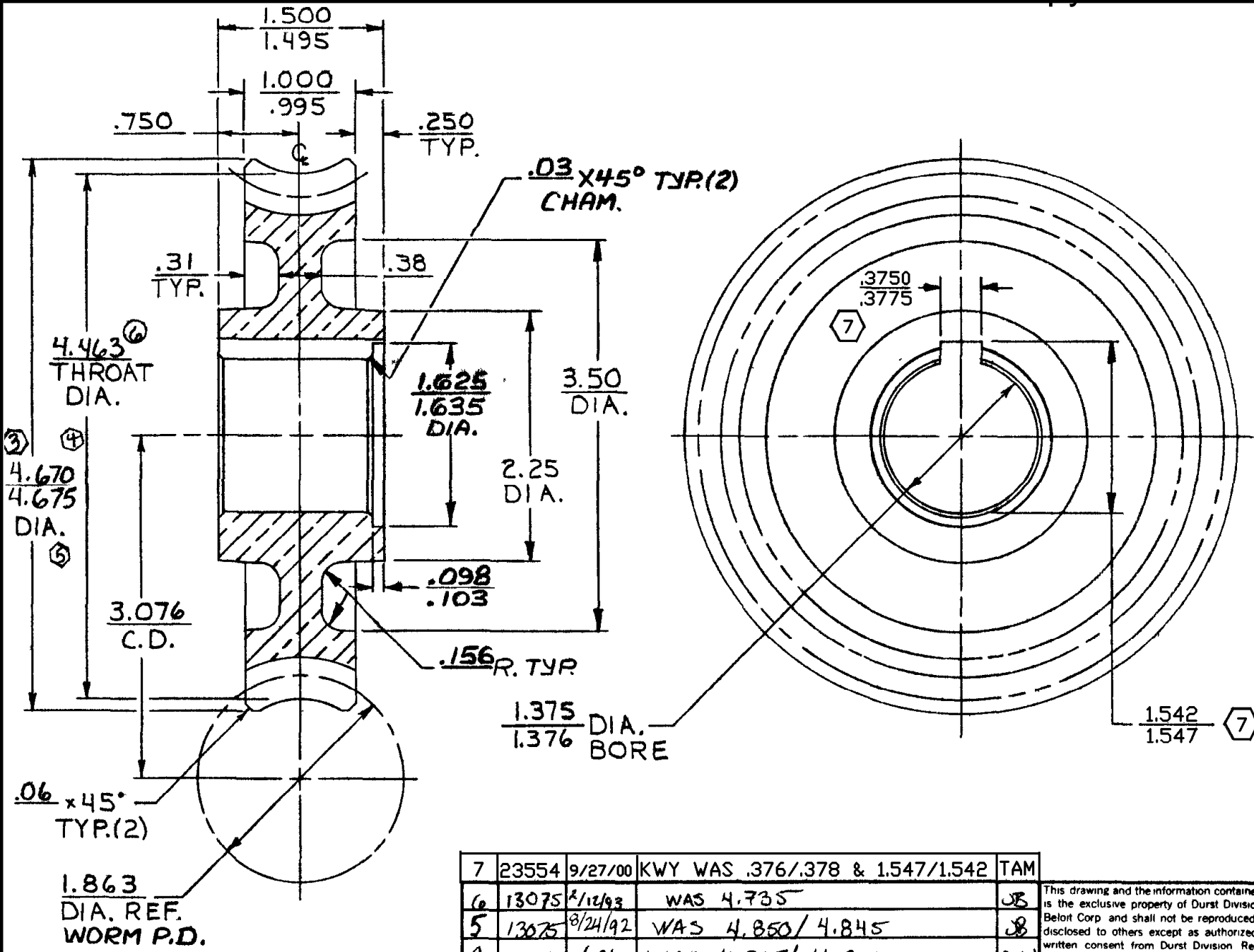


B418

EDP#02-0418-00-22



① WORM GEAR DATA:

NO. OF TEETH	24
DIAMETRAL PITCH	5.596
PRESSURE ANGLE	14 1/2°
PITCH DIAMETER	4.289
HAND	LEFT
HELIX ANGLE	20°59'
LEAD	2.2456
ADDENDUM	.223
DEDENDUM	.153
WHOLE DEPTH (APPROX)	.376
CENTER DISTANCE	3.076
PROCESS BACKLASH	

WORM THREAD DATA:

NO. OF THREADS	4
PITCH DIAMETER	1.863
HAND	LEFT
AXIAL PITCH (REF)	.5614
LEAD (REF)	2.2456
LEAD ANGLE (REF)	20°59'
BACKLASH (ASSEMBLED)	.006/.008

WORM MATE 831-235

REV	C.O. NO.	DATE	DESCRIPTION	BY
7	23554	9/27/00	KWY WAS .376/.378 & 1.547/1.542	TAM
6	13075	2/12/93	WAS 4.735	JB
5	13075	8/24/92	WAS 4.850/4.845	JB
4	12016	5/28/92	WAS 4.915/4.910	D.W.
3	11074	5/13/92	WAS 4.958/4.953	D.W.
2	4834	1/14/88	WAS: PR3482-6, RELEASE	WB
1	4604	10/21/87	WORM GEAR DATA REVISED	WB
X	4381	9-21-87	RELEASE TO PROTO	TCG

This drawing and the information contained hereon is the exclusive property of Durst Division Regal Beloit Corp and shall not be reproduced used or disclosed to others except as authorized through written consent from Durst Division Regal Beloit Corp

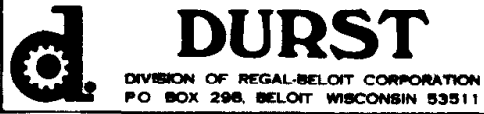
MODEL **A205** WHERE USED **6570**

DWN TCG DATE 7-24-87

CKD DATE MATERIAL

SCALE FULL DWG SIZE B

MACH	TOL
X	± .030
XX	± .015
XXX	± .005
XXXX	± .001
ANG	± .30



TITLE WORM GEAR-BRONZE	
MATERIAL WCF 150 CAST BLANK	PART. NO B418