

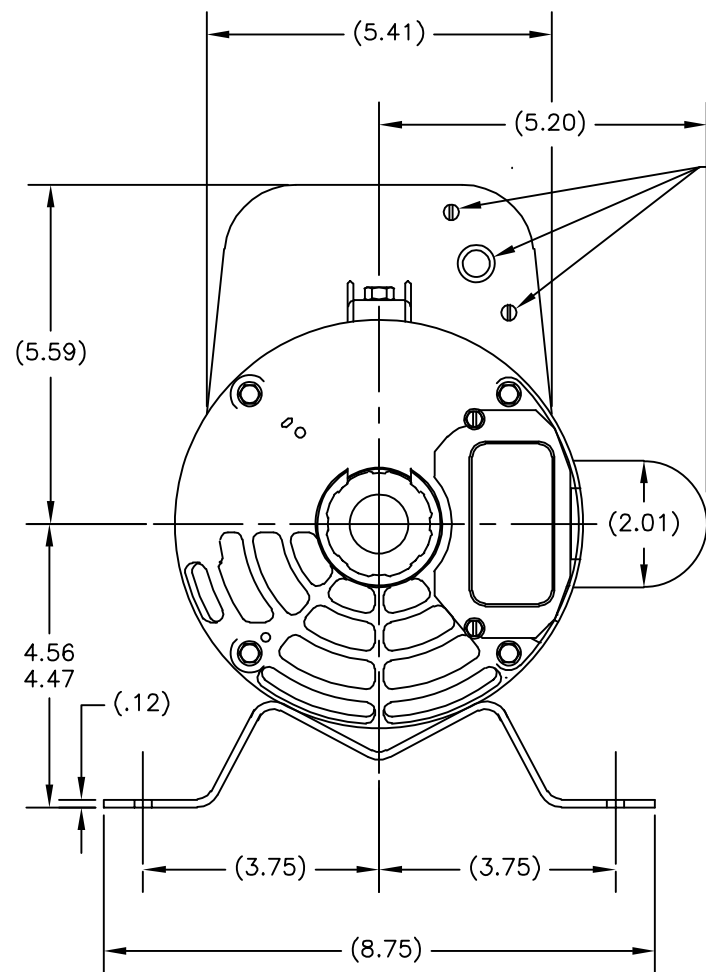
REV	ECO	REV BY	DATE	APPD	DATE
F	0025366	J.M.Ramirez	04-13-2012	R.Rascon	04-13-2012

NOTE:

TERMINAL BOX TO BE LOCATED AT 12:00 WITHIN +/- 1 1/2'

ALL DIMENSIONS SHOWN IN PARENTHESIS ARE REFERENCE DIMENSIONS. ALL OTHER DIMENSIONS ARE TOLERANCED PER THE FOLLOWING CHART UNLESS OTHERWISE SPECIFIED.

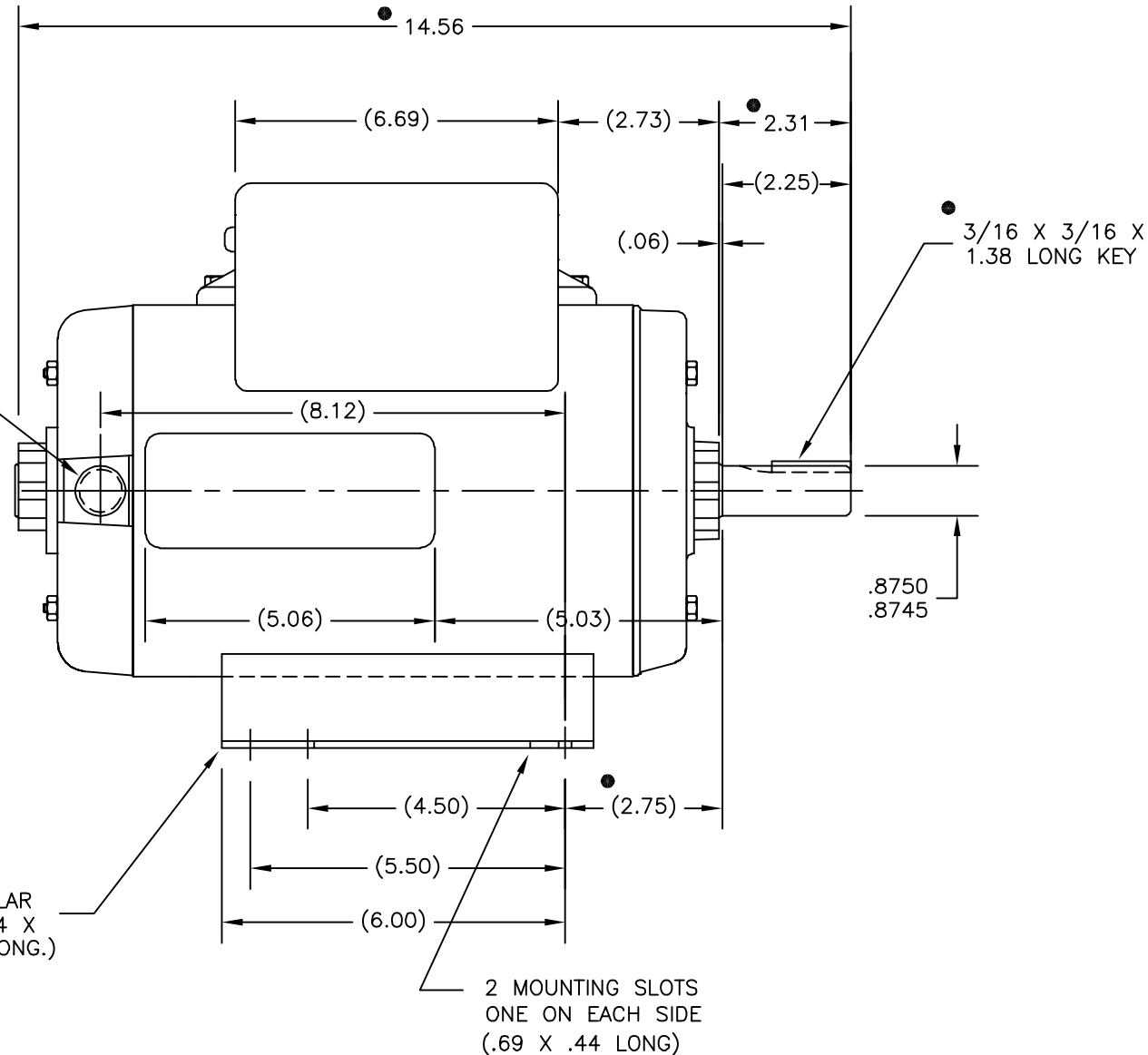
"C" DIM.	= +/- .055
SHAFT EXT.	= +/- .034
LEAD LENGTHS	= +/- 1.00
EXTENDED THRU-BOLTS	= +/- .050
ANGULAR DIMS.	= +/- 2 DEGS.



MANUAL PROTECTOR AND MTG. SCREWS (WHEN REQD.)

1/2-14 N.S.P.M. W/CAP

2 SLOTS PERPENDICULAR TO FRONT SLOTS (.44 X 1.44 LONG.)



2 MOUNTING SLOTS ONE ON EACH SIDE (.69 X .44 LONG)

● = CRITICAL DIM.

GEOMETRIC CHARACTERISTICS & SYMBOLS

- ▭ FLATNESS
- STRAIGHTNESS
- ∠ ANGULARITY
- ⊥ PERPENDICULARITY (SQUARENESS)
- // PARALLELISM
- ROUNDNESS (CIRCULARITY)
- ⊘ CYLINDRICITY
- △ PROFILE OF ANY SURFACE
- ∩ PROFILE OF ANY LINE
- ↑ RUNOUT
- ⊕ TRUE POSITION
- ◎ CONCENTRICITY
- = SYMMETRY

ASME Y14.5M 1994

UNLESS OTHERWISE SPECIFIED DIM. TOLERANCES ARE AS FOLLOWS:

INCH	X	XX	XXX	XXXX
	±.1	±.02	±.005	±.0005
mm	±0.5	±0.13	±0.013	

ANG. ±.50 DEG
REMOVE BURRS & BREAK SHARP EDGES:
INCH .003-.015 mm 0.1-0.4

CORNER FILLETS TO:
INCH .020 mm 0.5

MACHINE SURFACES:
INCH 125 mm 3.2

METRIC DIMS. SHOWN IN [BRACKETS]

DR BY:	Barpea	11-10-1993
APPD:		
THIRD ANGLE PROJECTION		EDS DATE 11-11-2011 FORMAT REV G
CONFIDENTIAL: THIS DRAWING AND ITS INFORMATION ARE THE EXCLUSIVE AND CONFIDENTIAL PROPERTY OF REGAL-BELOIT CORPORATION AND ARE NOT TO BE DISCLOSED, DUPLICATED, DISTRIBUTED OR OTHERWISE USED WITHOUT THE WRITTEN CONSENT OF REGAL-BELOIT CORPORATION. -ALL RIGHTS RESERVED.		

DESCRIPTION	
MODEL-CFHP-56FR OUTLINE	
SIZE	DWG NO
C	183807
SCALE	SHEET
NONE	1

4

3

2

1

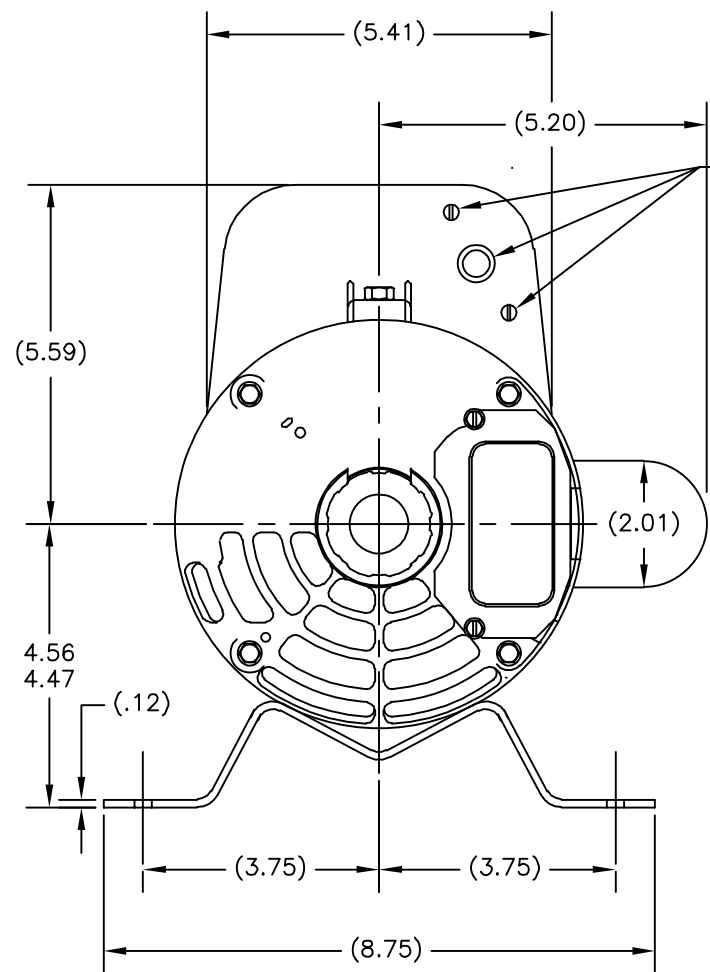
REVISION:	ECO	REVISADO POR:	FECHA:	APROBADO POR:	FECHA:
F	0025366	J.M.Ramirez	04-13-2012	R.Rascon	04-13-2012

NOTE:

TERMINAL BOX TO BE LOCATED AT 12:00 WITHIN +/- 1 1/2'

ALL DIMENSIONS SHOWN IN PARENTHESIS ARE REFERENCE DIMENSIONS. ALL OTHER DIMENSIONS ARE TOLERANCED PER THE FOLLOWING CHART UNLESS OTHERWISE SPECIFIED.

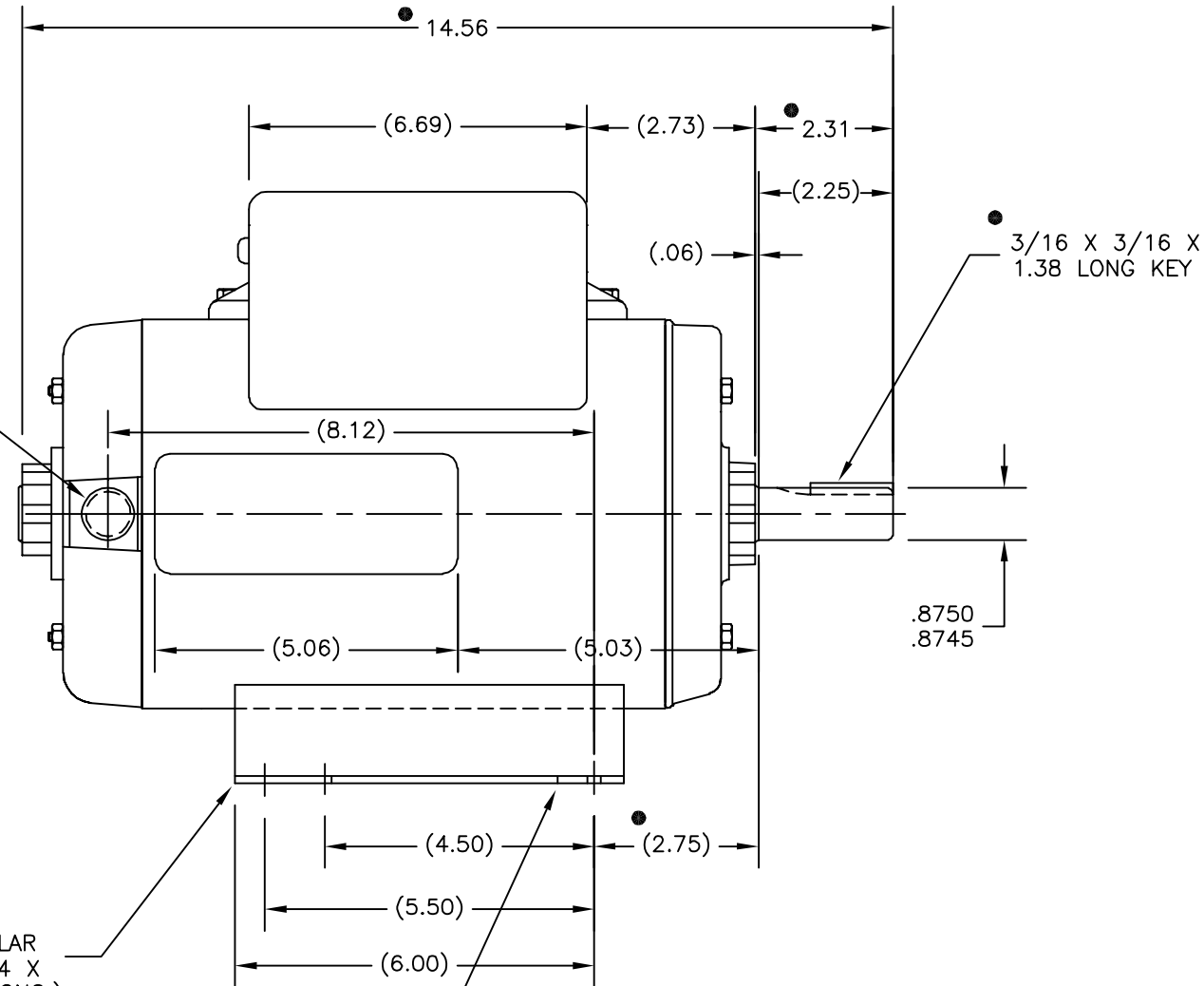
"C" DIM.	= +/- .055
SHAFT EXT.	= +/- .034
LEAD LENGTHS	= +/- 1.00
EXTENDED THRU-BOLTS	= +/- .050
ANGULAR DIMS.	= +/- 2 DEGS.



MANUAL PROTECTOR AND MTG. SCREWS (WHEN REQD.)

1/2-14 N.S.P.M. W/CAP

2 SLOTS PERPENDICULAR TO FRONT SLOTS (.44 X 1.44 LONG.)



2 MOUNTING SLOTS ONE ON EACH SIDE (.69 X .44 LONG)

● = CRITICAL DIM.

CARACTERISTICAS DE GEOMETRIA Y SIMBOLOS ▽ PLANICIDAD - RECTITUD < ANGULARIDAD ⊥ PERPENDICULARIDAD (A ESCUADRA) // PARALELISMO ○ REDONDEZ (CIRCULARIDAD) ∅ CILINDRICIDAD △ PERFIL DE CUALQUIER SUPERFICIE ∩ PERFIL DE CUALQUIER LINEA ↗ VARIACION ⊕ POSICION REAL ⊙ CONCENTRICIDAD = SIMETRIA ASME Y14.5M 1994	A MENOS QUE SE ESPECIFIQUE DE OTRA MANERA, LAS TOLERANCIAS DE LAS DIMS. SON LAS SIGUIENTES: PULG ±.1 ±.02 ±.005 ±.0005 mm ±0.5 ±0.13 ±0.013 ANG. ± 50 GRADOS ELIMINAR REBABAS Y ORILLAS FILOSAS DEL BORDE. PULG .003-.015 mm 0.1-0.4 FILETEAR ESQUINA: PULG .020 mm 0.5 MAQUINAR SUPERFICIES PULG 125 mm .32 DIMS METRICAS MOSTRADAS [PARENTESIS]	DIBUJADO POR: Barpea 11-10-1993	DESCRIPCION: MODEL-CFHP-56FR OUTLINE TAMAÑO: C NUMERO DE DIBUJO: 183807 ESCALA: NONE HOJA: 1
		APROBADO POR:	
CONFIDENCIAL: ESTE DIBUJO Y SU INFORMACION SON PROPIEDAD DE USO EXCLUSIVO Y CONFIDENCIAL DE REGAL-BELOIT CORPORATION. Y NO DEBERAN SER REVELADOS, DUPLICADOS, DISTRIBUIDOS O USARSE DE OTRA MANERA SIN EL CONSENTIMIENTO ESCRITO DE REGAL-BELOIT CORPORATION. -TODOS LOS DERECHOS RESERVADOS.			

4

3

2

1

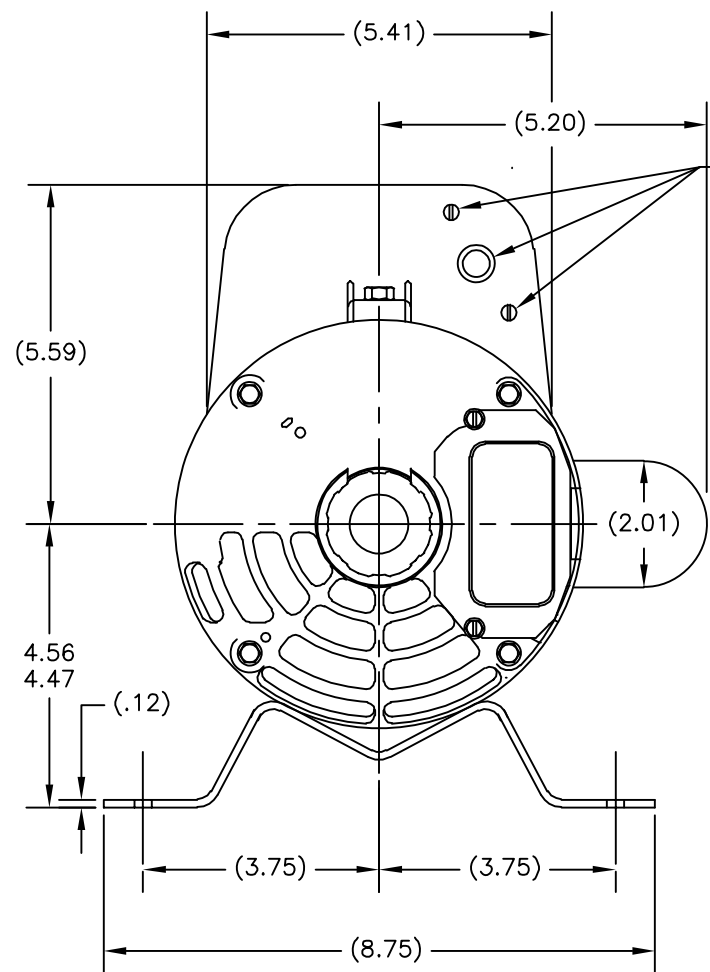
版本	ECO	编制	日期	批准	日期
F	0025366	J.M.Ramirez	04-13-2012	R.Rascon	04-13-2012

NOTE:

TERMINAL BOX TO BE LOCATED AT 12:00 WITHIN +/- 1 1/2'

ALL DIMENSIONS SHOWN IN PARENTHESIS ARE REFERENCE DIMENSIONS. ALL OTHER DIMENSIONS ARE TOLERANCED PER THE FOLLOWING CHART UNLESS OTHERWISE SPECIFIED.

"C" DIM.	= +/- .055
SHAFT EXT.	= +/- .034
LEAD LENGTHS	= +/- 1.00
EXTENDED THRU-BOLTS	= +/- .050
ANGULAR DIMS.	= +/- 2 DEGS.

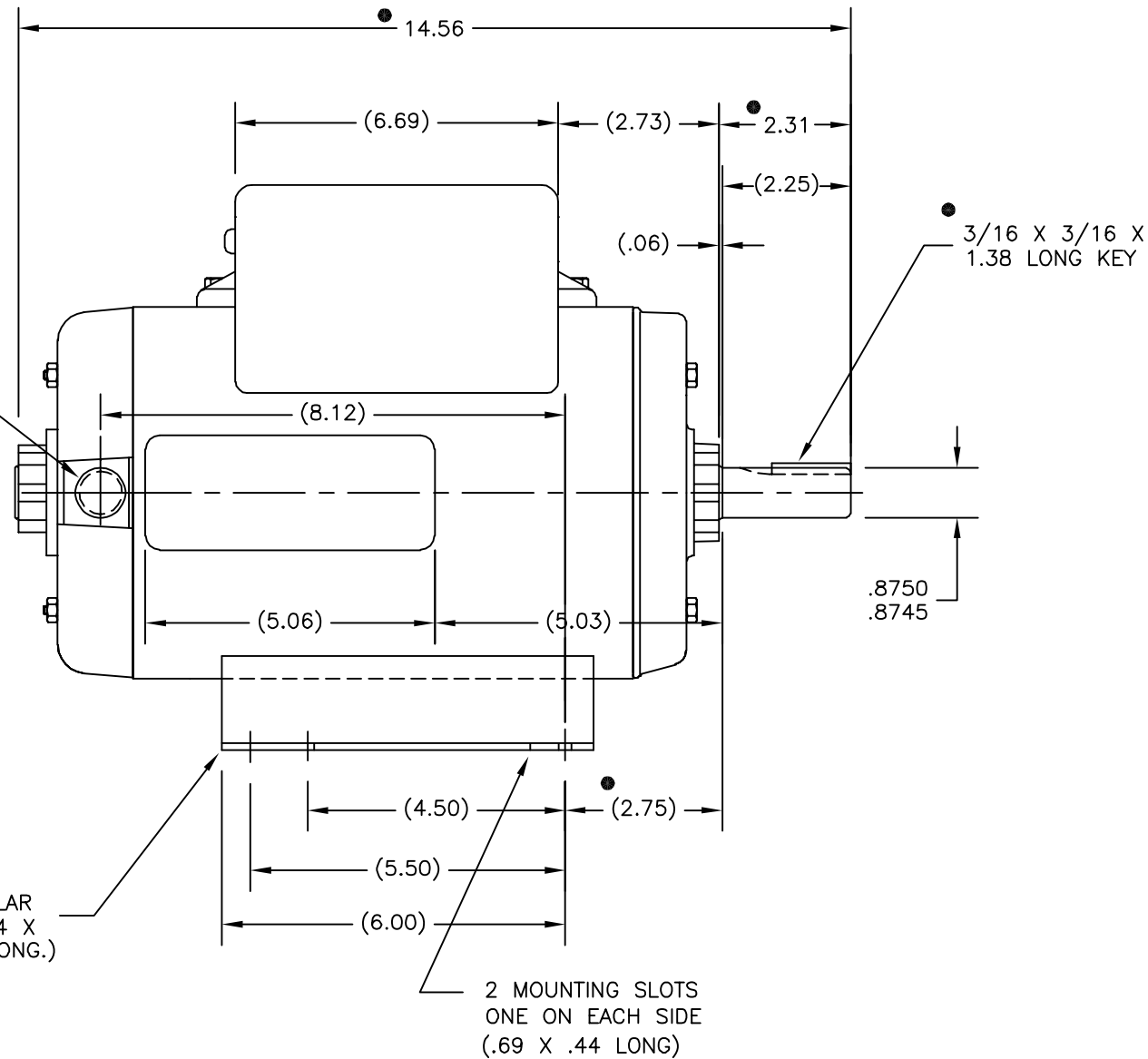


MANUAL PROTECTOR AND MTG. SCREWS (WHEN REQD.)

1/2-14 N.S.P.M. W/CAP

2 SLOTS PERPENDICULAR TO FRONT SLOTS (.44 X 1.44 LONG.)

● = CRITICAL DIM.



2 MOUNTING SLOTS ONE ON EACH SIDE (.69 X .44 LONG)

形位公差	除另有注明
□ 平面度	尺寸公差如下:
— 直线度	英寸 X XX XXX XXXX
∠ 倾斜度	英寸 ±.1 ±.02 ±.005 ±.0005
⊥ 垂直度	毫米 ±0.5 ±0.13 ±0.013
// 平行度	角度 ±.50 度
○ 圆度	清理毛刺和尖棱
⊘ 圆柱度	英寸 .003-.015 毫米 0.1-0.4
△ 面轮廓度	内圆角
∩ 线轮廓度	英寸 .020 毫米 0.5
∧ 圆跳动	表面粗糙度
⊕ 位置度	英制 125 米制 3.2
⊙ 同轴度	米制尺寸显示在 []
≡ 对称度	

ASME Y14.5M 1994

绘图:	Barpea	11-10-1993
批准:		
第三角投影	⊕	图纸格式发布日期 11-11-2011 图纸格式版本 G
机密: 本图纸及相关信息所有权归REGAL-BELOIT CORPORATION. 未经REGAL-BELOIT CORPORATION书面授权, 不得泄露、复制、传播或作其他用途。—版权所有		

名称	
MODEL-CFHP-56FR OUTLINE	
图幅	图号
C	183807
比例	页号
NONE	1