

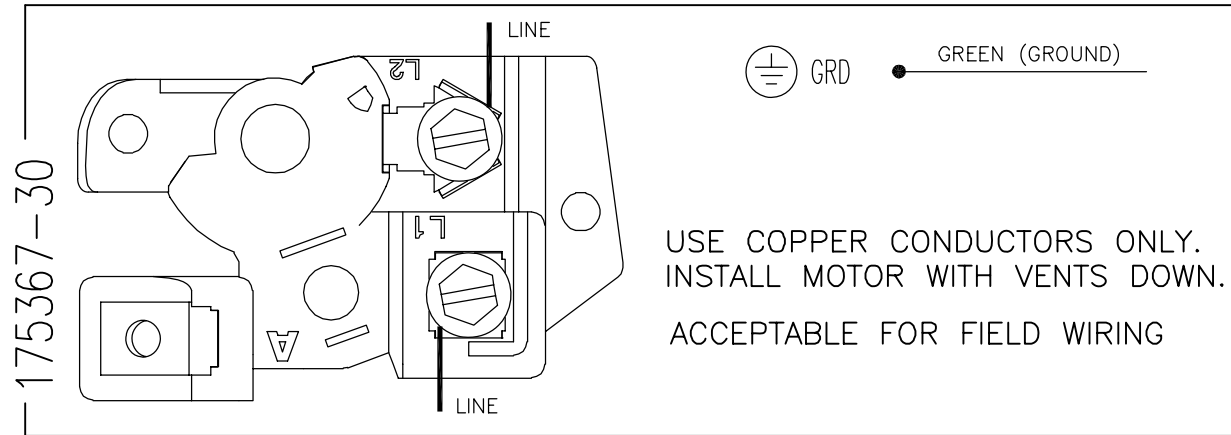
4

3

2

1

REV	ECO	REV BY	DATE	APPD	DATE
B	0021650	Cherry.Zhang	07-15-2011	Hong.Zhu	07-15-2011



175367-30

(230 VOLTAGE SINGLE SPEED)

NOTES:

- 1) DOTTED BOX REPRESENTS TOTAL PRINTED AREA ALLOWED FOR CONNECTION DIAGRAM TO FIT IN (2.13[54.1] X .75[19.0]). SEE NAMEPLATE DRAWING 170500 OR 170501 FOR LOCATION.
- 2) CHARACTERS ARE TO BE A MINIMUM OF .03[.8] TO .06[1.5] MAXIMUM IN HEIGHT
- 3) DETAILS ARE NOT TO BE COPIED FROM DRAWING, BUT ARE TO BE REPRODUCED FROM ORIGINAL ARTWORK FURNISHED.
- 4) FUTURE DETAILS ARE TO BE PLACED ON D0000112

GEOMETRIC CHARACTERISTICS & SYMBOLS

▭	FLATNESS
—	STRAIGHTNESS
∠	ANGULARITY
⊥	PERPENDICULARITY (SQUARENESS)
//	PARALLELISM
○	ROUNDNESS (CIRCULARITY)
⊘	CYLINDRICITY
△	PROFILE OF ANY SURFACE
∩	PROFILE OF ANY LINE
↗	RUNOUT
⊕	TRUE POSITION
◎	CONCENTRICITY
≡	SYMMETRY

UNLESS OTHERWISE SPECIFIED DIM. TOLERANCES ARE AS FOLLOWS:

INCH	±.1	±.02	±.005	±.0005
mm	±0.5	±0.13	±0.013	
ANG.	±.50 DEG			
REMOVE BURRS & BREAK SHARP EDGES:				
INCH	.003-.015			
mm	0.1-0.4			
CORNER FILLETS TO:				
INCH	.020			
mm	0.5			
MACHINE SURFACES:				
INCH	125			
mm	3.2			
METRIC DIMS. SHOWN IN [BRACKETS]				

DR BY:	Cherry.Zhang	07-15-2011
APPD:	Hong.Zhu	07-15-2011
THIRD ANGLE PROJECTION		EDS DATE 02-22-2008 FORMAT REV F
CONFIDENTIAL: THIS DRAWING AND ITS INFORMATION ARE THE EXCLUSIVE AND CONFIDENTIAL PROPERTY OF A.O. SMITH CORP. AND ARE NOT TO BE DISCLOSED, DUPLICATED, DISTRIBUTED OR OTHERWISE USED WITHOUT THE WRITTEN CONSENT OF A.O. SMITH CORP. -ALL RIGHTS RESERVED. ASME Y14.5M 1994		

 <b>ELECTRICAL PRODUCTS COMPANY</b> <small>A DIVISION OF A. O. SMITH CORPORATION</small>	DESCRIPTION	
	CONN DIAGRAM-NAMEPLATE	
SIZE	C	DWG NO
		17536730
SCALE	NONE	SHEET 1

4

3

2

1

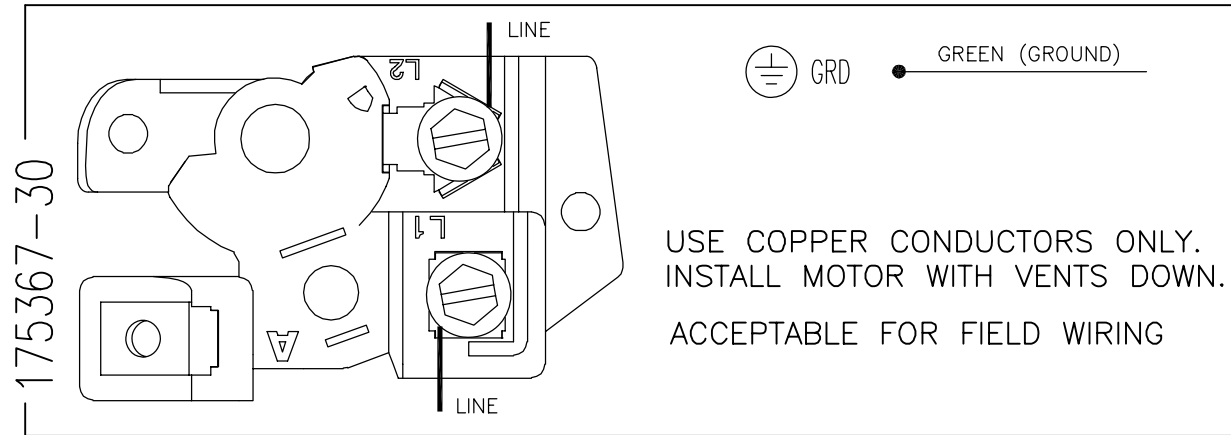
4

3

2

1

REVISION:	ECO	REVISADO POR:	FECHA:	APROBADO POR:	FECHA:
B	0021650	Cherry.Zhang	07-15-2011	Hong.Zhu	07-15-2011



(230 VOLTAGE SINGLE SPEED)

CARACTERISTICAS DE GEOMETRIA Y SIMBOLOS

▭	PLANICIDAD
—	RECTITUD
∠	ANGULARIDAD
⊥	PERPENDICULARIDAD (A ESCUADRA)
//	PARALELISMO
○	REDONDEZ (CIRCULARIDAD)
⊘	CILINDRICIDAD
△	PERFIL DE CUALQUIER SUPERFICIE
∧	PERFIL DE CUALQUIER LINEA
↑	VARIACION
⊕	POSICION REAL
◎	CONCENTRICIDAD
≡	SIMETRIA

A MENOS QUE SE ESPECIFIQUE DE OTRA MANERA, LAS TOLERANCIAS DE LAS DIMS; SON LAS SIGUIENTES:

	x	xx	xxx	xxxx
PULG	±.1	±.02	±.005	±.0005
mm	±0.5	±0.13	±0.013	
ANG.	± 50 GRADOS			
ELIMINAR REBABAS Y ORILLAS FILOSAS DEL BORDE.				
	PULG .003-.015	mm 0.1-0.4		
FILETEAR ESQUINA:	PULG .020 mm 0.5			
MAQUINAR SUPERFICIES	PULG 125 mm .32			
DIMS METRICAS MOSTRADAS [PARENTESIS]				

DIBUJADO POR:	Cherry.Zhang	07-15-2011
APROBADO POR:	Hong.Zhu	07-15-2011
TERCER ANGULO DE PROYECCION	⊕	FECHA EDS: 02-22-2008
		REV. FORMATO: F
CONFIDENCIAL: ESTE DIBUJO Y SU INFORMACION SON PROPIEDAD DE USO EXCLUSIVO Y CONFIDENCIAL DE A.O.SMITH CORP. Y NO DEBERAN SER REVELADOS, DUPLICADOS, DISTRIBUIDOS O USARSE DE OTRA MANERA SIN EL CONSENTIMIENTO ESCRITO DE A.O. SMITH CORP. -TODOS LOS DERECHOS RESERVADOS.ASME Y14.5M 1994		

		<b>ELECTRICAL PRODUCTS COMPANY</b> <small>A DIVISION OF A. O. SMITH CORPORATION</small>
DESCRIPCION:		
CONN DIAGRAM-NAMEPLATE		
TAMAÑO: C	NUMERO DE DIBUJO: 17536730	
ESCALA: NONE		HOJA: 1

4

3

2

1

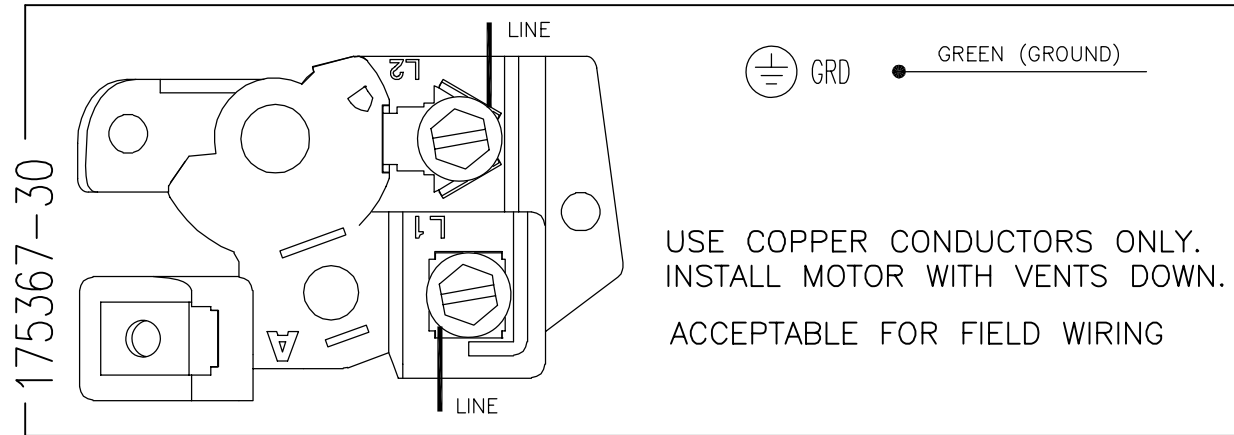
4

3

2

1

版本	ECO	编制	日期	批准	日期
B	0021650	Cherry.Zhang	07-15-2011	Hong.Zhu	07-15-2011



175367-30

(230 VOLTAGE SINGLE SPEED)

形位公差
□ 平面度
— 直线度
∠ 倾斜度
⊥ 垂直度
// 平行度
○ 圆度
⊘ 圆柱度
△ 面轮廓度
∩ 线轮廓度
↗ 圆跳动
⊕ 位置度
⊙ 同轴度
≡ 对称度

除另有注明 尺寸公差如下:
英寸 X XX XXX XXXX
毫米 ±.1 ±.02 ±.005 ±.0005
毫米 ±0.5 ±0.13 ±0.013
角度 ±.50 度
清理毛刺和尖棱
英寸 .003-.015 毫米 0.1-0.4
内圆角
英寸 .020 毫米 0.5
表面粗糙度
英制 125 米制 3.2
米制尺寸显示在 [ ]

绘图:	Cherry.Zhang	07-15-2011
批准:	Hong.Zhu	07-15-2011
第三角投影		图纸格式发布日期 02-22-2008 图纸格式版本 F
机密: 本图纸及相关信息所有权归A. O. SMITH公司所有。 未经A. O. SMITH公司书面授权, 不得泄露、复制、传播或作 其他用途。—版权所有		
ASME Y14.5M 1994		

<b>ACSmith</b> Innovation has a name.		<b>ELECTRICAL PRODUCTS COMPANY</b> <small>A DIVISION OF A. O. SMITH CORPORATION</small>	
名称 CONN DIAGRAM-NAMEPLATE			
图幅	C	图号	17536730
比例	NONE	页号	1

4

3

2

1