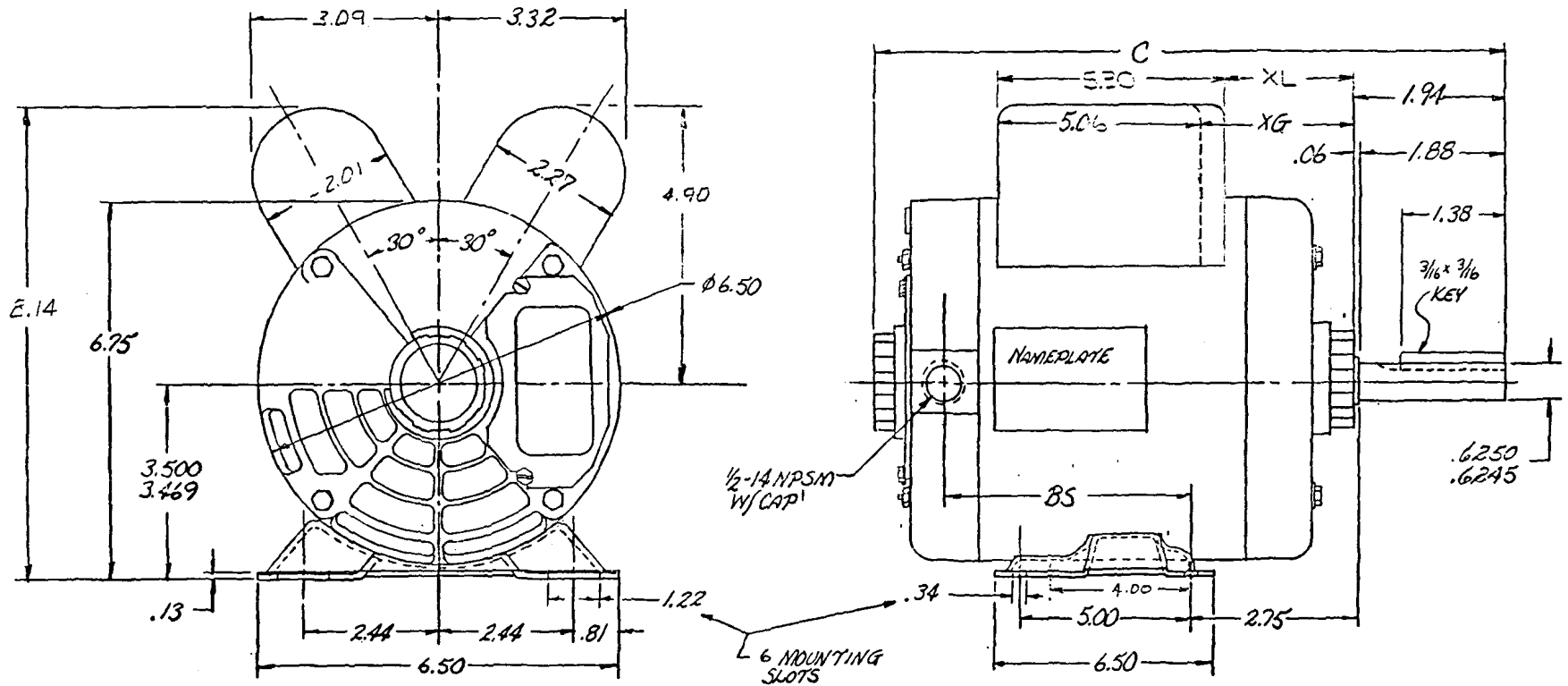


DO NOT SCALE DRAWING

DJS	GP NO	TYPE	FRAME SIZE	FORM	C	BS	XG	XL			
1	01	CP	N56H	KHH	13.19	7.12	3.96	3.72			
1	02	CP	N56H	KHH	12.69	6.62	3.46	3.22			



SM TO 162951 & 154994 SPEC. 58867

REVISIONS	DESCRIPTION
1	8-168508-00
2	2MS RUN DRP COVER DIM. 69934 RH 12-1-88
3	ADDED GRP D 02 CS 176417 5/16/89
4	E30190 M CHG LENGTH OF CAP COVER JTH 12/5/90

THIRD ANGLE PROJECTION		Century Electric, Inc. 1831 Chestnut Street, St. Louis, Missouri 63168		CENTURY	
TITLE 0056 DWG O-LINE BB OP/ENCL					
DRN. P.M. 2-20-85 APPD.	CKD. MLK 2-25-85 SCALE N	CONT. CODE 5	DRG. NO. 170449	SIZE B	CLASS NO. 1920