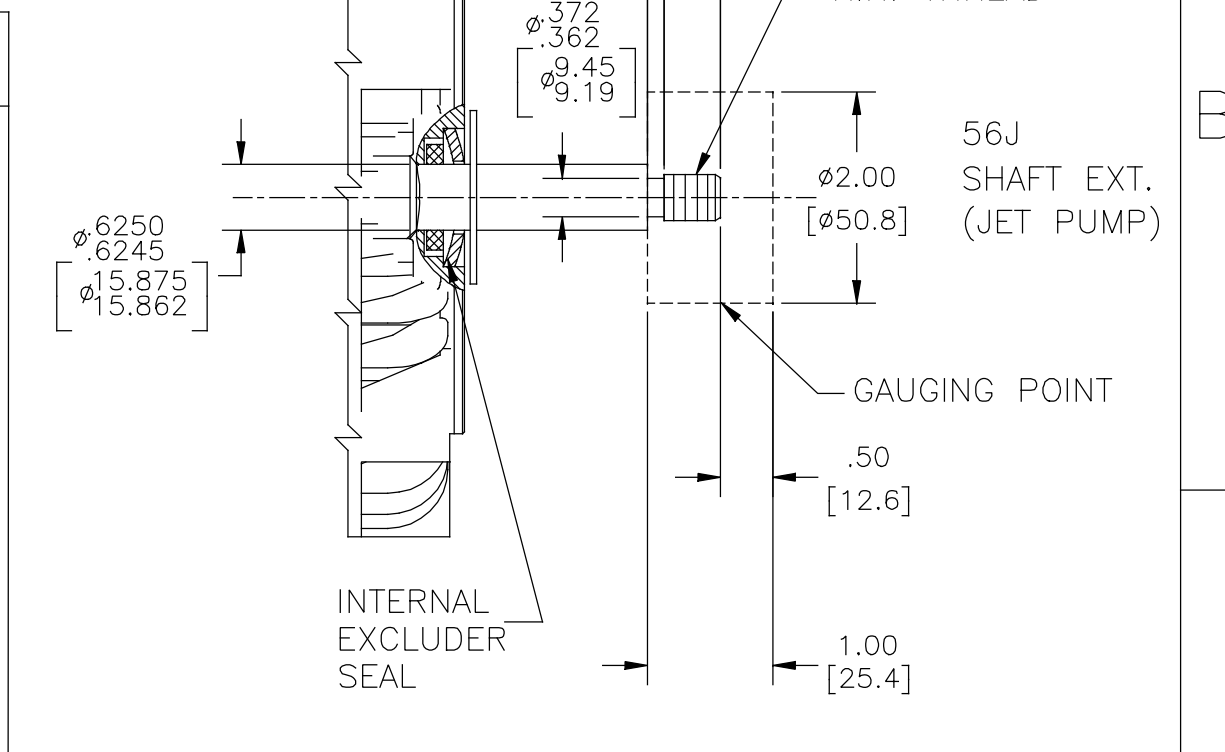


NAMEPLATE DATA	EXTERNAL CONNECTION DIAGRAM	NOTES
MODEL: 164303 CUST PN: B128 HP: 1.0 SF: 1.40 ROT: CCWPE RPM: 3450 TYPE: CX FORM: - VOLTS: 230/115 AMPS: SF 7.2/14.4 MAX AMPS: - SF AMPS: - PH: 1 HZ: 60 INS: B AMB: 50°C DUTY: CONT ENCLOSURE: DP THERMALLY PROTECTED		1 PILOT DIAMETER IS CONCENTRIC WITH SHAFT CENTERLINE WITHIN .004[.10] T.I.R. 2 FACE OF MOUNTING FLANGE IS PERPENDICULAR TO SHAFT CENTERLINE WITHIN .004[.10] T.I.R. 3 SHAFT RUNOUT NOT TO EXCEED .002[.05] 4 END PLAY NOT TO EXCEED .010[.25] MEASURED WITH NO THRUST 5 ALL DIMENSIONS SHOWN IN PARENTHESIS ARE REFERENCE DIMENSIONS.



PERFORMANCE CURVE	APPROVED SAMPLE		
16345211	-		
UL COMPONENT	CSA		
FILE#	CCN#	FILE#	GUIDE#
E14663	XEWR23	LR4642	4211-01
CUSTOMER	DISTRIBUTION		

DRAWING REVISION	REVISION BY	DATE
G	G. RODRIGUEZ	04-23-2019
ECO	APPROVED BY	DATE
ECO-0165900	G. RODRIGUEZ	04-23-2019
ECO DESCRIPTION SEE ECO		

DRAWN BY: T.TOMLI  
 DATE: 04-27-2006  
 APPROVED BY:  
 DATE:  
 REFERENCE:

**REGAL** Regal Beloit America, Inc.  
 DESCRIPTION: MODEL-PFHP-56FR OUTLINE  
 MATERIAL: PROCESS/FINISH:

THIRD ANGLE PROJECTION  
 SIZE DWG NO: C B128  
 SHEET: 1