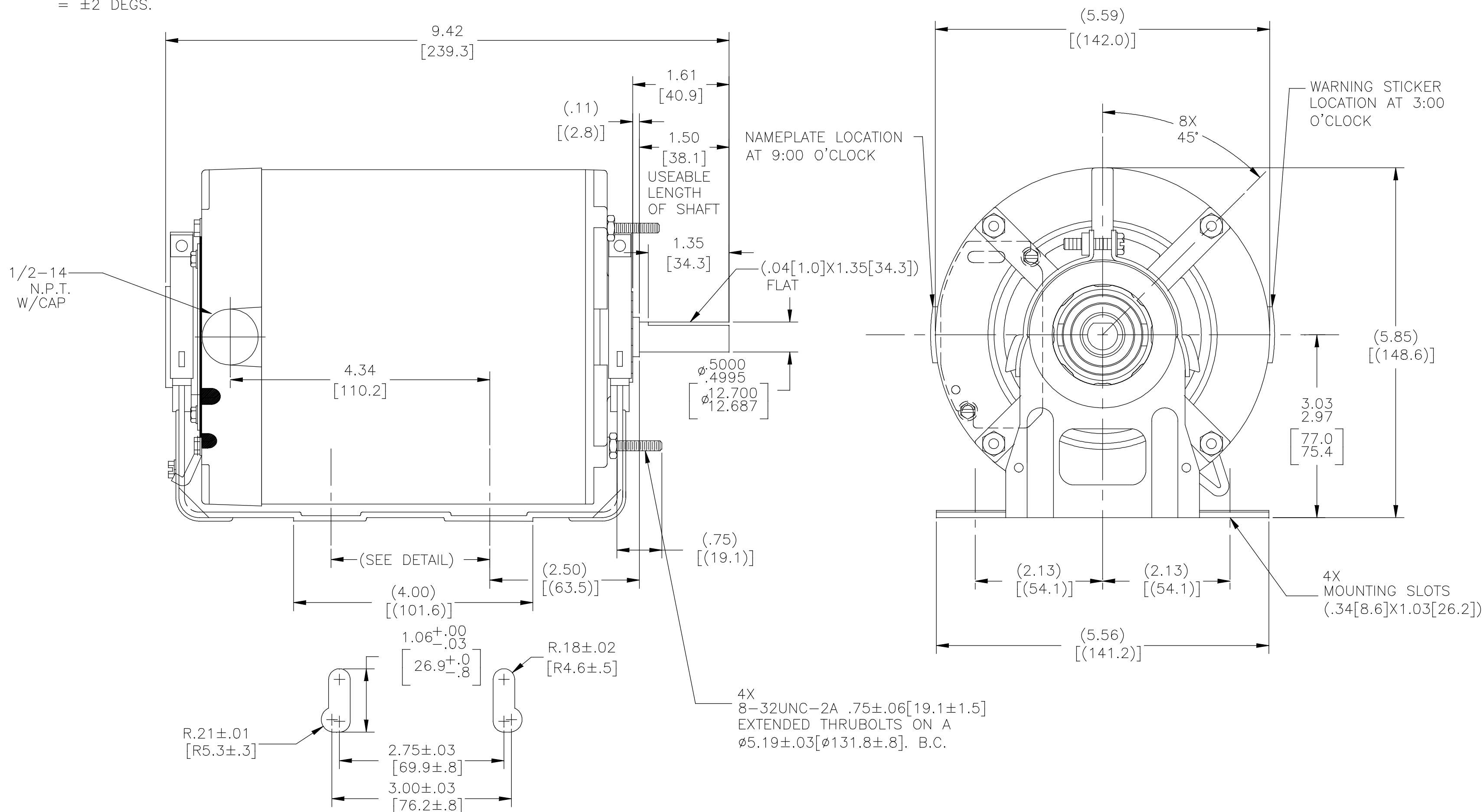


ALL DIMENSIONS SHOWN IN PARENTHESIS ARE REFERENCE DIMENSIONS. ALL OTHER DIMENSIONS ARE TOLERANCED PER THE FOLLOWING CHART UNLESS OTHERWISE SPECIFIED.

"C" DIMENSION = ±.055 [1.39]
 SHAFT EXTENSION = ±.034 [.86]
 LEAD LENGTHS EXTENDED THRU-BOLTS = ±1.00 [25.4]
 ANGULAR DIMS. = ±2 DEGS.



DRAWING REVISION D	REVISION BY F.NAVARRO	DATE 04-10-2019	TOLERANCES UNLESS OTHERWISE SPECIFIED DEC. INCH mm ANGLE .X ±0.1 [±2.5] ±0.5° .XX ±0.02 [±0.51] .XXX ±0.005 [±0.127] .XXXX ±0.0005 [±0.0127]	DRAWN BY: H.SANCHEZ	Regal Beloit America, Inc.	
ECO ECO-0164033	APPROVED BY	DATE	REMOVE BURRS & BREAK SHARP EDGES .003/.015 [0.076/.381] CORNER FILLETS .02 [51] MACHINED SURFACES $125 \sqrt{mm} 3.2 \sqrt{INCH}$	DATE: 11-20-2008		
ECO DESCRIPTION SEE ECO	COPYRIGHT REGAL BELOIT AMERICA, INC. ALL RIGHTS RESERVED. PROPRIETARY AND CONFIDENTIAL INFORMATION - THIS DOCUMENT IS THE PROPERTY OF REGAL BELOIT AMERICA, INC. (OWNER) AND CONTAINS OWNER'S PROPRIETARY INFORMATION. ANY PERSON, CORPORATION OR OTHER FIRM RECEIVING IT IS DEEMED, BY RECEIVING IT, TO AGREE THAT IT, AND/OR ANY PART OF IT, SHALL NOT BE DISCLOSED TO ANY PERSON, CORPORATION OR OTHER ENTITY, DUPLICATED, AND/OR USED, EXCEPT AS EXPRESSLY APPROVED IN WRITING IN ADVANCE BY OWNER. THIS DOCUMENT SHALL BE RETURNED TO OWNER UPON REQUEST. IT MAY BE SUBJECT TO CERTAIN RESTRICTIONS UNDER APPLICABLE EXPORT CONTROL LAWS AND REGULATIONS.			APPROVED BY: C.CONTRERAS	DESCRIPTION MODEL-CFHP-48FR OUTLINE	
				DATE: 11-20-2008	MATERIAL	PROCESS/FINISH
				REFERENCE	SIZE DWG NO C ARB2024L4	SHEET 1