

4

3

2

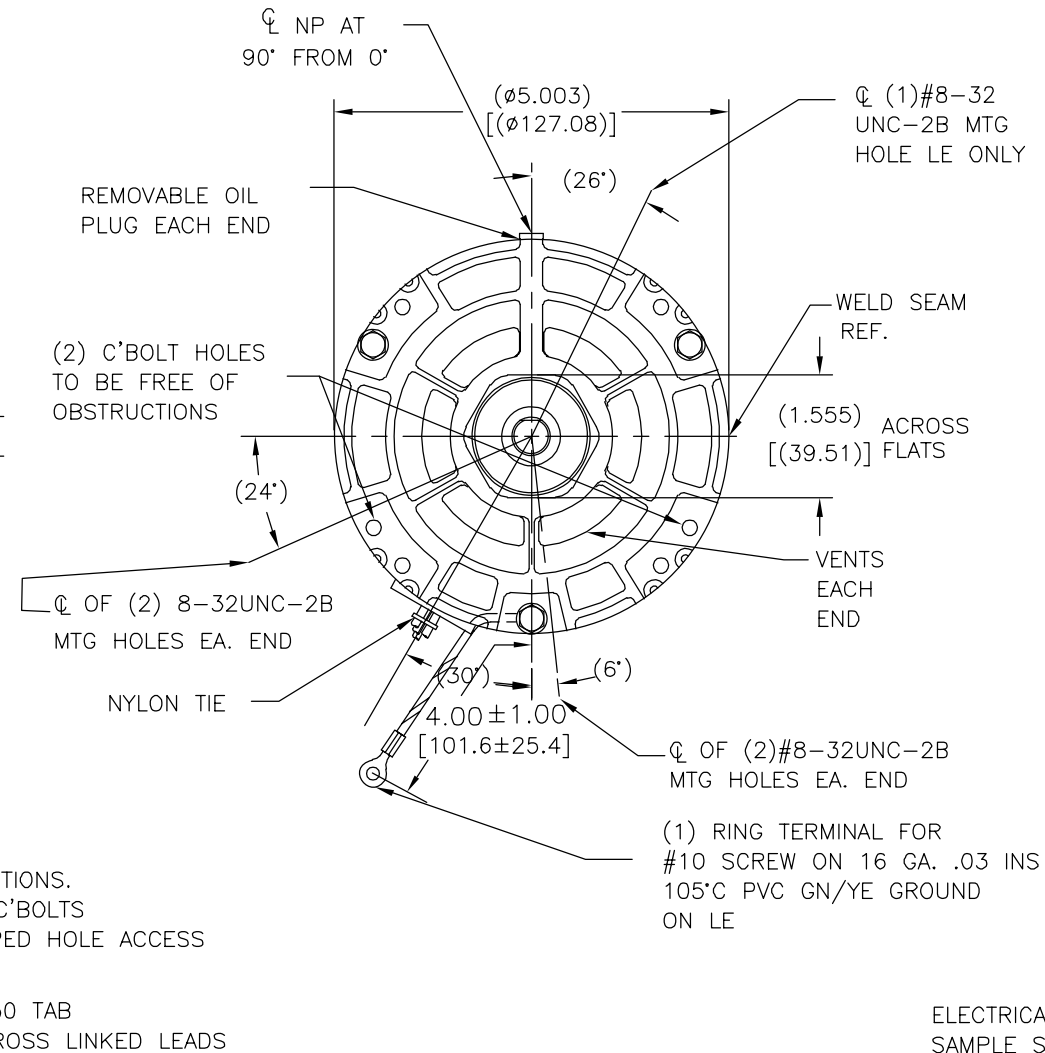
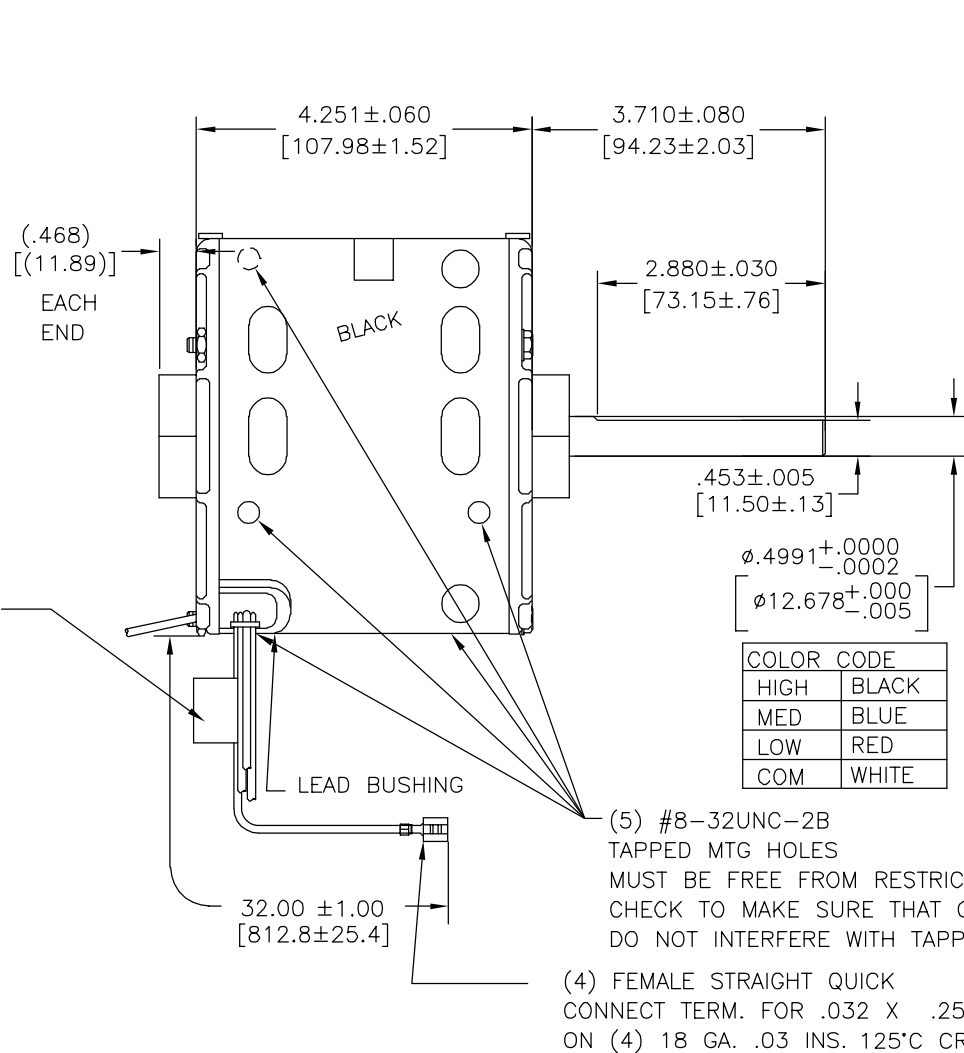
1

CUSTOMER IS SOLELY RESPONSIBLE FOR MOTOR PERFORMANCE AND SUITABILITY IN APPLICATIONS FOR CUSTOMER'S USES.

DA3F7675N#

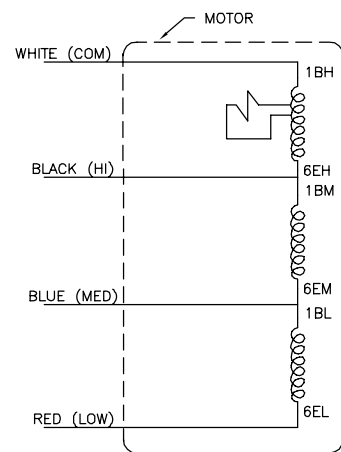
REV	ECO	REV BY	DATE	APPD	DATE
E	0028994	I.ORTIZ	10-16-2012	M.AVILA	10-16-2012

END PLAY .005[.13] MIN - .040[1.02] MAX
 MAX. SHAFT RUN OUT .001[.03] PER INCH
 MAX. RUN OUT NOT TO EXCEED .0075[.191]



COLOR CODE	
HIGH	BLACK
MED	BLUE
LOW	RED
COM	WHITE

- (5) #8-32UNC-2B TAPPED MTG HOLES MUST BE FREE FROM RESTRICTIONS. CHECK TO MAKE SURE THAT C'BOLTS DO NOT INTERFERE WITH TAPPED HOLE ACCESS
- (4) FEMALE STRAIGHT QUICK CONNECT TERM. FOR .032 X .250 TAB ON (4) 18 GA. .03 INS. 125°C CROSS LINKED LEADS



SCHEMATIC-274

ROT.: - CCWLE-CWSE

NAMEPLATE DATA: **Century** TIPP CITY, OHIO THERMALLY PROTECTED

SER. DATE & PO# PLT LTR MOD DA3F7675N# STK NO 98
 VOLTS 115 HZ 60 AMPS 5.1
 RPM1050 SP3 PH1 CAP
 INS CL AMB °C HP CONT A.O. ← ROTATION →
 BRG SLV BK-HI 5.1A 1/8HP
 BU-MED 3.5A 1/10HP
 RD-LO 3.0A 1/12HP
 WH-COM
 ASSEMBLED IN MEXICO

SAFETY WARNING
 63T7433-210

GEOMETRIC CHARACTERISTICS & SYMBOLS
 ▭ FLATNESS
 - STRAIGHTNESS
 < ANGLARITY
 ⊥ PERPENDICULARITY (SQUARENESS)
 // PARALLELISM
 ○ ROUNDNESS (CIRCULARITY)
 ∅ CYLINDRICITY
 △ PROFILE OF ANY SURFACE
 ∩ PROFILE OF ANY LINE
 ↗ RUNOUT
 ⊕ TRUE POSITION
 ⊙ CONCENTRICITY
 = SYMMETRY
 ASME Y14.5M 1994

UNLESS OTHERWISE SPECIFIED DIM. TOLERANCES ARE AS FOLLOWS:
 INCH X XX XXX XXXX
 ±.1 ±.02 ±.005 ±.0005
 mm ±0.5 ±0.13 ±0.013
 ANG. ±.50 DEG
 REMOVE BURRS & BREAK SHARP EDGES:
 INCH .003-.015 mm 0.1-0.4
 CORNER FILLETS TO:
 INCH .020 mm 0.5
 MACHINE SURFACES:
 INCH 125 mm 3.2
 METRIC DIMS. SHOWN IN [BRACKETS]

DR BY: DLC 10-16-1998
 APPD: DRB
 THIRD ANGLE PROJECTION
 EDS DATE 11-11-2011
 FORMAT REV H
 CONFIDENTIAL: THIS DRAWING AND ITS INFORMATION ARE THE EXCLUSIVE AND CONFIDENTIAL PROPERTY OF REGAL-BELOIT CORPORATION AND ARE NOT TO BE DISCLOSED, DUPLICATED, DISTRIBUTED OR OTHERWISE USED WITHOUT THE WRITTEN CONSENT OF REGAL-BELOIT CORPORATION. -ALL RIGHTS RESERVED.

REGAL REGAL-BELOIT CORPORATION

DESCRIPTION
MODEL-RFHP-42FR
OUTLINE
 SIZE C DWG NO DA3F7675
 SCALE NONE SHEET 1

4

3

2

1

4

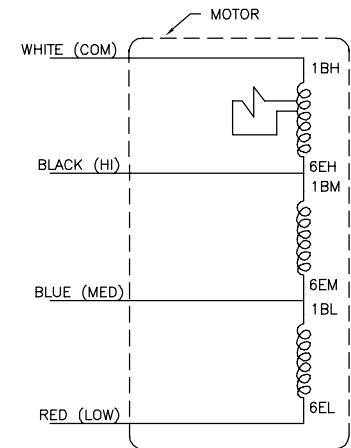
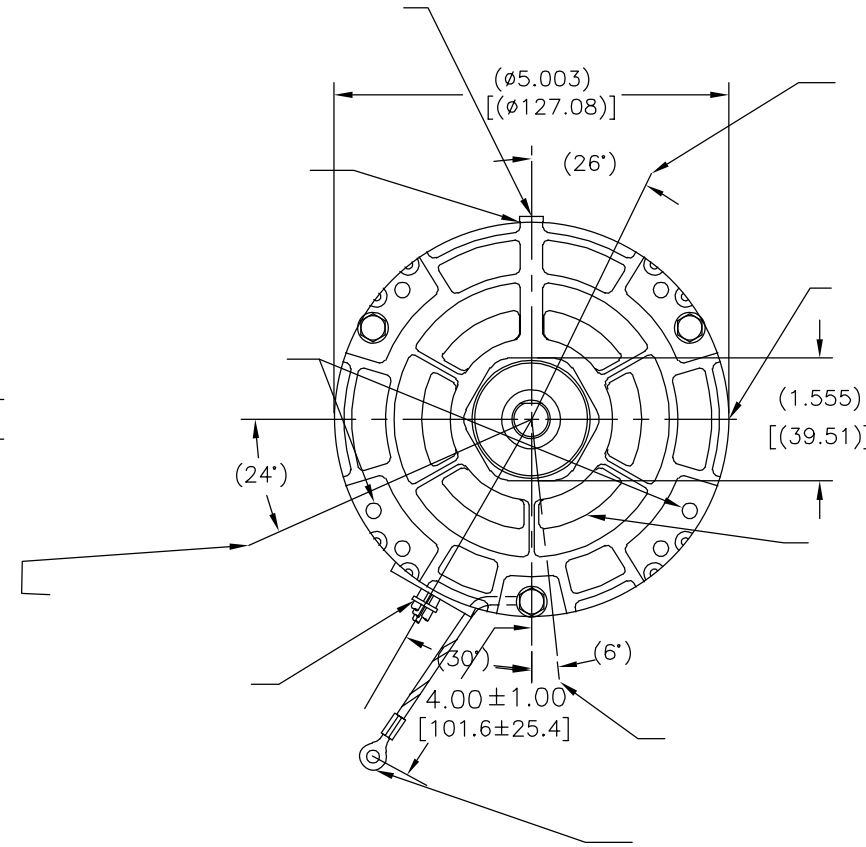
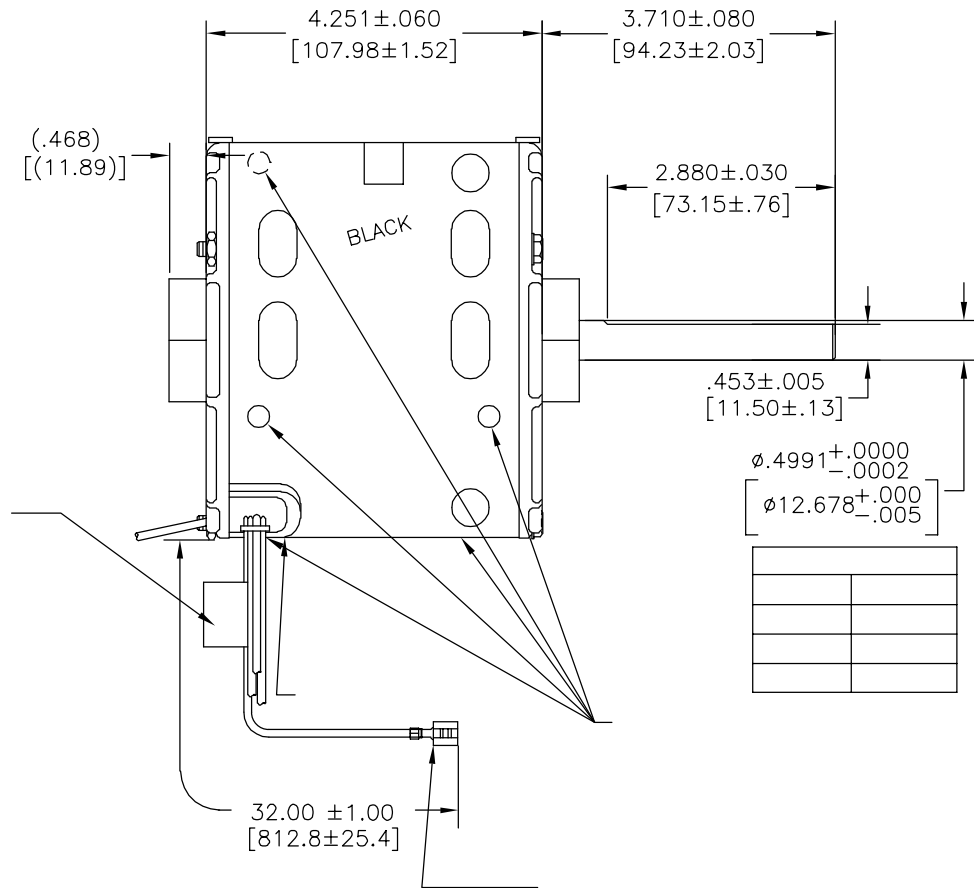
3

2

1

DA3F7675N#

REVISION:	ECO	REVISADO POR:	FECHA:	APROBADO POR:	FECHA:
E	0028994	I.ORTIZ	10-16-2012	M.AVILA	10-16-2012



SCHEMATIC-274

ROT.: - CCWLE-CWSE

NAMEPLATE DATA: **Century** TIPP CITY, OHIO THERMALLY PROTECTED

SER. DATE & PO# PLT LTR MOD DA3F7675N# STK NO 98
 VOLTS 115 HZ 60 AMPS 5.1
 RPM1050 SP3 PH1 CAP
 INS CL AMB °C HP CONT A.O. ← ROTATION →
 BRG SLV BK-HI 5.1A 1/8HP
 BU-MED 3.5A 1/10HP
 RD-LO 3.0A 1/12HP
 WH-COM
 ASSEMBLED IN MEXICO

SAFETY WARNING
63T7433-210

CARACTERISTICAS DE GEOMETRIA Y SIMBOLOS
 ▢ PLANICIDAD
 - RECTITUD
 < ANGULARIDAD
 ⊥ PERPENDICULARIDAD (A ESCUADRA)
 // PARALELISMO
 ○ REDONDEZ (CIRCULARIDAD)
 ∅ CILINDRICIDAD
 △ PERFIL DE CUALQUIER SUPERFICIE
 ∇ PERFIL DE CUALQUIER LINEA
 ∠ VARIACION
 ⊕ POSICION REAL
 ⊙ CONCENTRICIDAD
 = SIMETRIA

A MENOS QUE SE ESPECIFIQUE DE OTRA MANERA, LAS TOLERANCIAS DE LAS DIMS; SON LAS SIGUIENTES:
 PULG ±.1 ±.02 ±.005 ±.0005
 mm ±0.5 ±0.13 ±0.013
 ANG. ± 50 GRADOS
 ELIMINAR REBABAS Y ORILLAS FILOSAS DEL BORDE.
 PULG .003-.015 mm 0.1-0.4
 FILETEAR ESQUINA: PULG .020 mm 0.5
 MAQUINAR SUPERFICIES
 PULG 125 mm 3.2

DIBUJADO POR: DLC
 10-16-1998
 APROBADO POR: DRB
 TERCER ANGULO DE PROYECCION
 FECHA EDS: 11-11-2011
 REV. FORMATO: H
 CONFIDENCIAL: ESTE DIBUJO Y SU INFORMACION SON PROPIEDAD DE USO EXCLUSIVO Y CONFIDENCIAL DE REGAL-BELOIT CORPORATION. Y NO DEBERAN SER REVELADOS, DUPLICADOS, DISTRIBUIDOS O USARSE DE OTRA MANERA SIN EL CONSENTIMIENTO ESCRITO DE REGAL-BELOIT CORPORATION. -TODOS LOS DERECHOS RESERVADOS.

REGAL REGAL-BELOIT CORPORATION

DESCRIPCION: MODEL-RFHP-42FR OUTLINE
 TAMAÑO: C NUMERO DE DIBUJO: DA3F7675
 ESCALA: NONE HOJA: 1

4

3

2

1

4

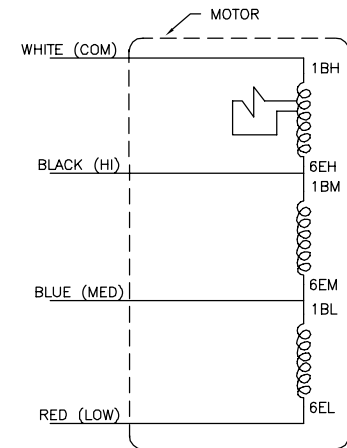
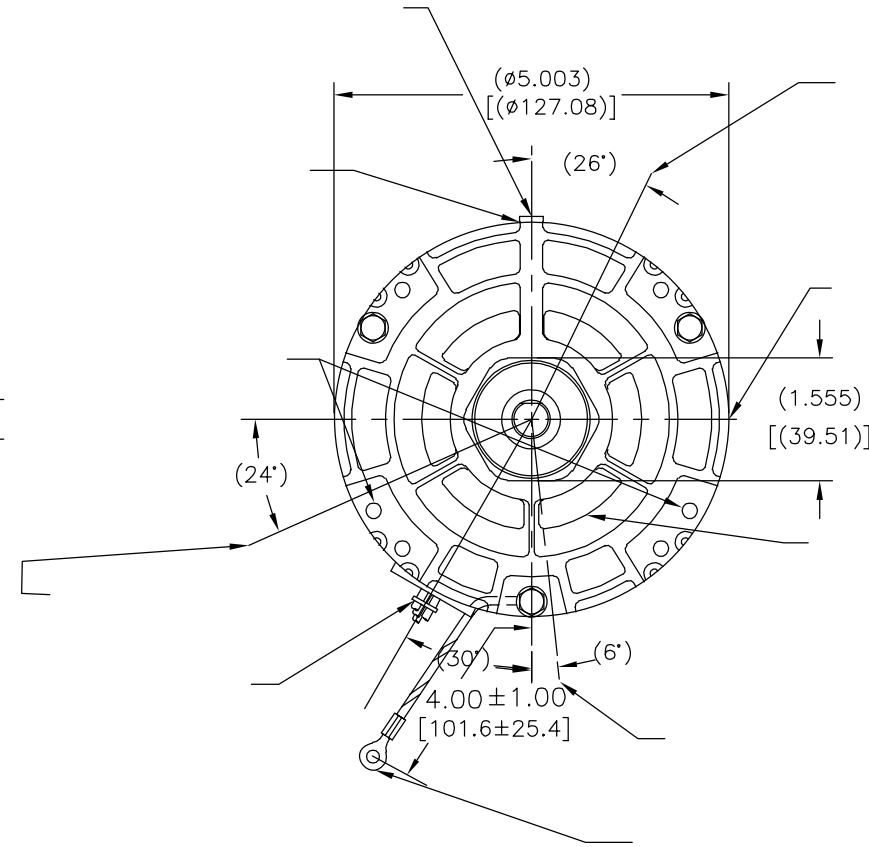
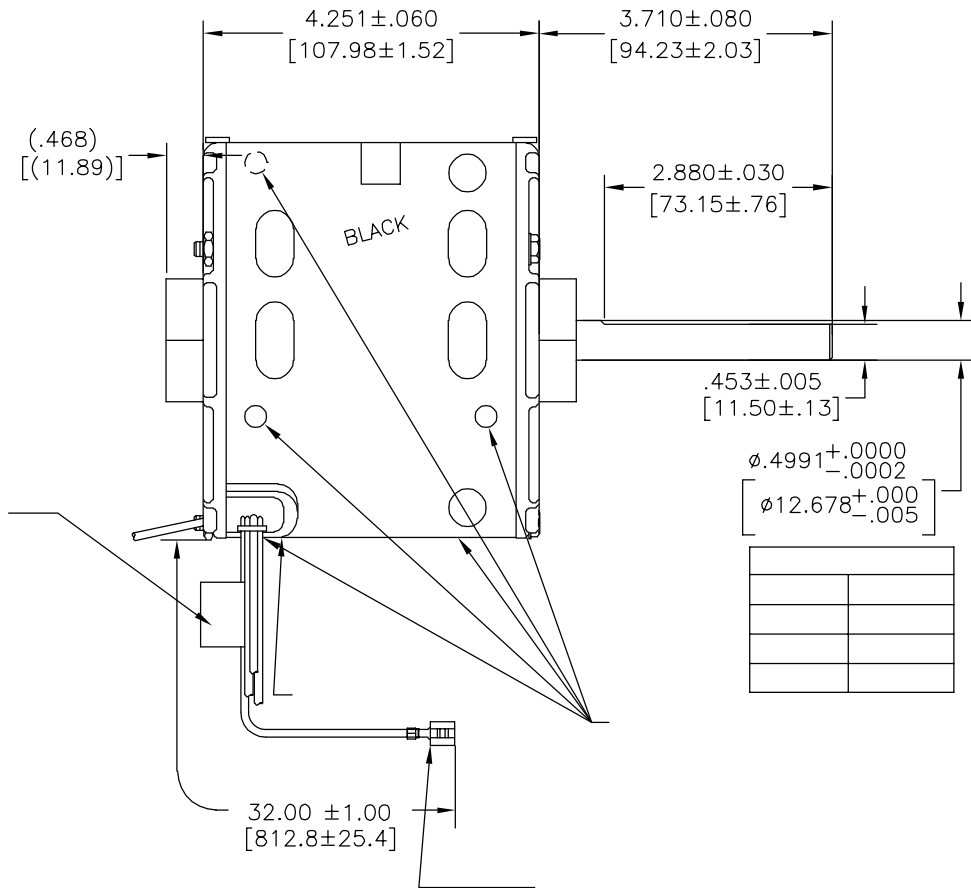
3

2

1

DA3F7675N#

版本	ECO	编制	日期	批准	日期
E	0028994	I.ORTIZ	10-16-2012	M.AVILA	10-16-2012



SCHEMATIC-274

ROT.:— CCWLE—CWSE

NAMEPLATE DATA: **Century** TIPP CITY, OHIO THERMALLY PROTECTED

SER. DATE & PO# PLT LTR MOD DA3F675N# STK NO 98
 VOLTS 115 HZ 60 AMPS 5.1
 RPM1050 SP3 PH1 CAP
 INS CL AMB °C HP CONT A.O. ←ROTATION→
 BRG SLV BK—HI 5.1A 1/8HP
 BU—MED 3.5A 1/10HP
 RD—LO 3.0A 1/12HP
 WH—COM

ASSEMBLED IN MEXICO

SAFETY WARNING 63T7433-210

- 形位公差
- 平面度
- 直线度
- ∠ 倾斜度
- ⊥ 垂直度
- // 平行度
- 圆度
- ⊘ 圆柱度
- ∩ 面轮廓度
- ∩ 线轮廓度
- ↻ 圆跳动
- ⊕ 位置度
- ⊙ 同轴度
- ≡ 对称度

ASME Y14.5M 1994

除另有注明
尺寸公差如下:

英寸 X XX XXX XXXX
 ±.1 ±.02 ±.005 ±.0005
 毫米 ±0.5 ±0.13 ±0.013

角度 ±.50 度
 清理毛刺和尖棱
 英寸 .003-.015 毫米 0.1-0.4

内圆角
 英寸 .020 毫米 0.5

表面粗糙度
 英制 125 米制 3.2

米制尺寸显示在 []

绘图: DLC 10-16-1998

批准: DRB

第三角投影

图纸格式发布日期 11-11-2011
 图纸格式版本 H

机密: 本图纸及相关信息所有权归REGAL-BELOIT CORPORATION
 未经REGAL-BELOIT CORPORATION书面授权, 不得泄露、
 复制、传播或作其他用途。—版权所有

REGAL REGAL-BELOIT CORPORATION

名称: MODEL—RFHP—42FR
 OUTLINE

图幅: C 图号: DA3F7675

比例: NONE 页号: 1

4

3

2

1