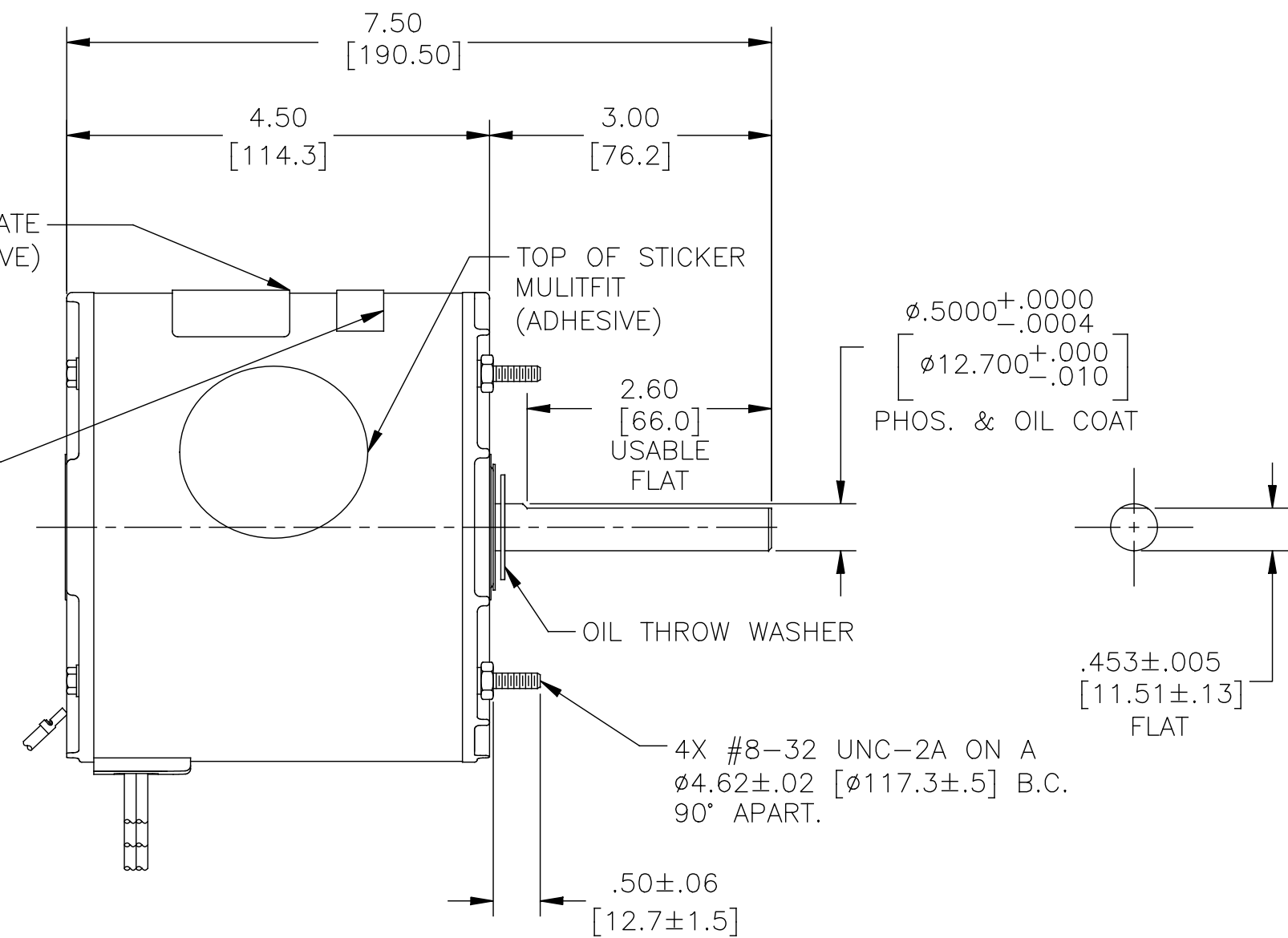
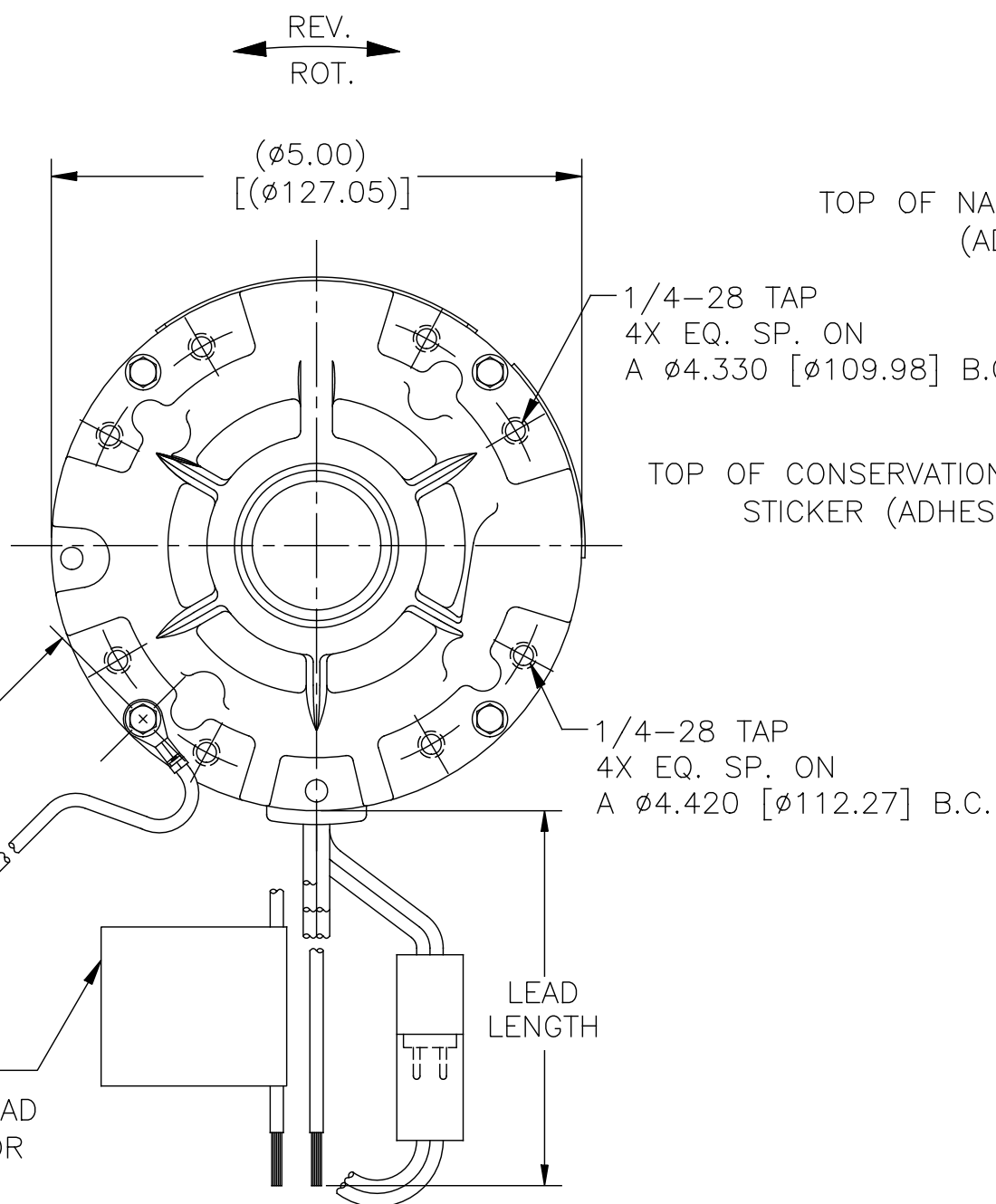


GENERAL INFORMATION:

SHAFT RUNOUT: .001 [.025] T.I.R. PER INCH LENGTH OF EXTENSION
 BEARINGS: BALL (L. E. PRELOAD)
 MOUNTING POSITION: ALL ANGLE



GROUND LEAD (TERMINAL AT MOTOR MUST NOT PROTRUDE BEYOND MOTOR O.D.)

ATTACH WARNING/CONNECTION LABEL TO COMMON (WHITE) LEAD APPROX. 2.0 [51] FROM MOTOR

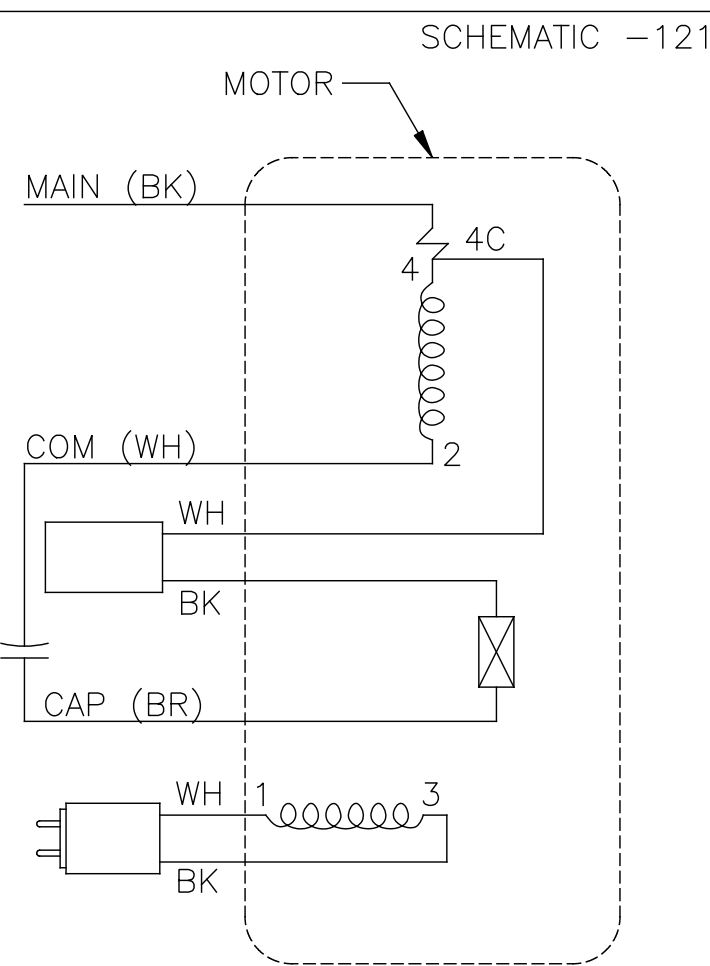
ELECTRICAL DATA:

OVERLOAD PROTECTOR: AUTOMATIC RESET (SENSATA 7AM 093)
 LEADS: NO. 18 GA., .06 [1.5] THK. XLP 125°C INSUL.
 REVERSING PLUGS: NO. 18 GA., .03 [.8] THK. XLP 125°C INSUL.
 GROUND LEAD: NO. 18 GA., .03 [.8] THK. (GREEN) INSUL.

MAIN FRAME - OLE	ENCLOSED
END FRAME - OLE	ENCLOSED
MAIN FRAME - LE	ENCLOSED
END FRAME - LE	ENCLOSED
ENCLOSURE	

NOTE:

4 SHOULDER STUDS 631585-062
 4 HEX NUTS 7555A19H01
 8 PLUGS PLU213
 1 INSTRUCTION SHEET 1010451 TO BE PUT IN A POLY BAG AND PACKED WITH EACH MOTOR.
 1 INSTRUCTION SHEET 619432-250 TO BE PACKED ALONG THE SIDE OF MOTOR, AND NOT UNDER THE BOTTOM LAYER OF POLYFILL.



NAMEPLATE DATA:

Century TIPP CITY, OHIO **UL** THERMALLY PROTECTED

SER. DATE & P# PLT LTR MOD DF3J018N' STK. NO. 9723
 VOLTS 208-230 HZ 60 AMPS 2.0
 RPM 1075 SP 1 PH 1 CAP 7.5 MFD/370 VAC
 INS CL B AMB 60 °C HP CONT AO ← ROTATION →
 BRG BALL HP 1/4, 1/5, 1/6 ASSEMBLED IN MEXICO

PERFORMANCE CURVE NO.	TORQUE @1075 RPM (25°C)	APPROVED SAMPLE	UL COMPONENT		CSA	
			FILE #	CCN #	FILE #	CLASS #
C32600	29.2 OZ. FT.	0501876B	-	-	-	-

COLOR	LENGTH	TERMINAL OR STRIP LENGTH
GREEN (GROUND)	11.0/13.0 [279/330]	#10 EYELET
BLACK/WHITE	3.0/5.0 [76/127]	REVERSING PLUGS
BROWN	36.0/39.0 [914/991]	.60 [15.2] SKIN
WHITE	36.0/39.0 [914/991]	.60 [15.2] SKIN
BLACK	36.0/39.0 [914/991]	.60 [15.2] SKIN

LEAD DATA

DRAWING REVISION	REVISION BY	DATE
B	B.JI	10-27-2016
ECO	APPROVED BY	DATE
ECO-0111718	G.ZHAO	10-27-2016
ECO DESCRIPTION		
SEE ECO		

COPYRIGHT REGAL BELOIT AMERICA, INC. ALL RIGHTS RESERVED. PROPRIETARY AND CONFIDENTIAL INFORMATION - THIS DOCUMENT IS THE PROPERTY OF REGAL BELOIT AMERICA, INC. ("OWNER") AND CONTAINS OWNER'S PROPRIETARY INFORMATION. ANY PERSON, CORPORATION OR OTHER FIRM RECEIVING IT IS DEEMED, BY RECEIVING IT, TO AGREE THAT IT, AND/OR ANY PART OF IT, SHALL NOT BE DISCLOSED TO ANY PERSON, CORPORATION OR OTHER ENTITY, DUPLICATED, AND/OR USED, EXCEPT AS EXPRESSLY APPROVED IN WRITING IN ADVANCE BY OWNER. THIS DOCUMENT SHALL BE RETURNED TO OWNER UPON REQUEST. IT MAY BE SUBJECT TO CERTAIN RESTRICTIONS UNDER APPLICABLE EXPORT CONTROL LAWS AND REGULATIONS.

DRAWN BY: J. Rupert
 DATE: 11-19-2015
 APPROVED BY: J. Rupert
 DATE: 11-19-2015
 REFERENCE:

REGAL Regal Beloit America, Inc.
 DESCRIPTION: MODEL-RFHP-42FR OUTLINE
 MATERIAL: _____ PROCESS/FINISH: _____
 SIZE DWG NO: 9723 SHEET 1