

GENERAL INFORMATION:

SHAFT RUNOUT: .001 [.03] T.I.R. PER INCH LENGTH OF EXTENSION

BEARINGS: BALL (L.E. PRELOAD)

MOUNTING POSITION: ALL ANGLE

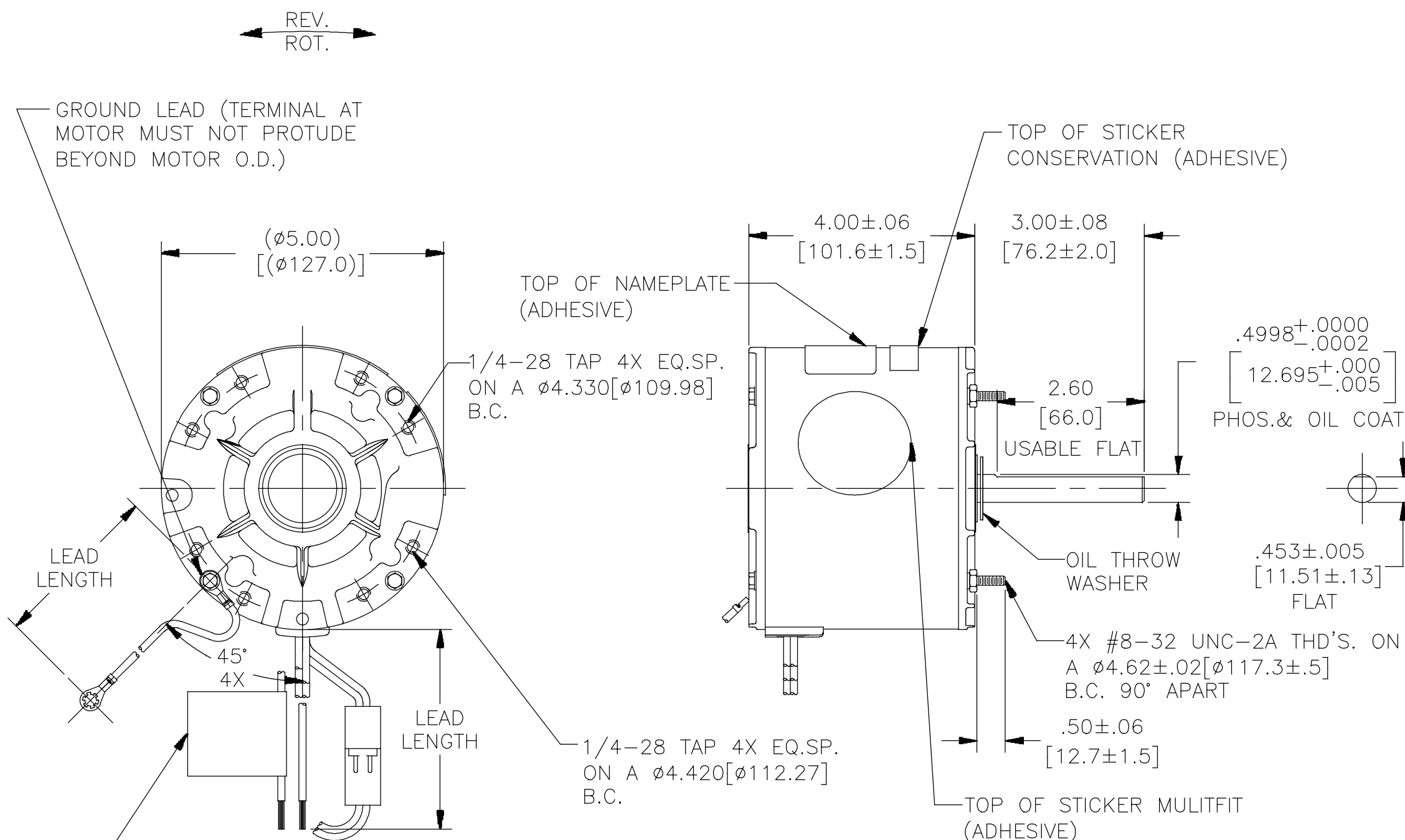
ELECTRICAL DATA:

OVERLOAD PROTECTOR: AUTOMATIC RESET (T.I. 7AM 093)

LEADS: NO. 18 GA., .06 [1.5] THK. XLP 125°C INSUL.

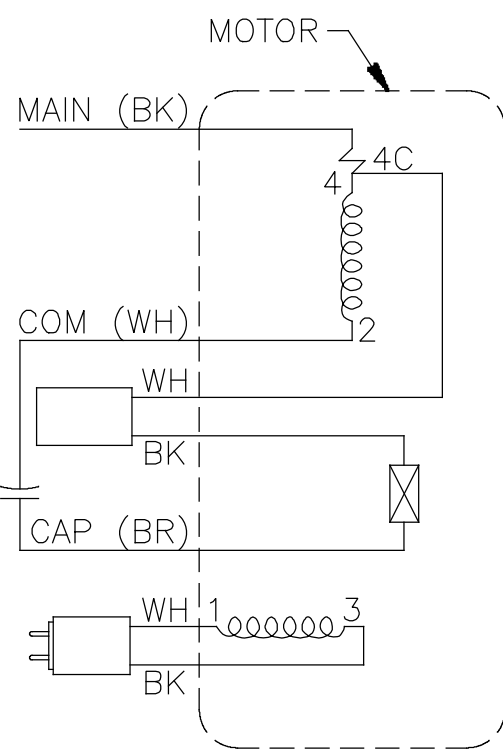
REVERSING PLUGS: NO. 18 GA., .03 [.8] THK. XLP 125°C INSUL.

GROUND LEAD: NO. 18 GA., .03 [.8] THK. (GREEN) INSUL.



NOTE:  
 4 SHOULDER STUDS 631585-062  
 4 HEX NUTS 7555A19H01  
 8 PLUGS PLU213  
 1 INSTRUCTION SHEET 1010451 TO BE PUT IN A POLY BAG AND PACKED WITH EACH MOTOR  
 1 INSTRUCTION SHEET 619432-250 TO BE PACKED ALONG THE SIDE OF MOTOR, AND NOT UNDER THE BOTTOM LAYER OF POLYFILL.

EXTERNAL CONNECTION DIAGRAM



Century Tipp City, OH  
**THERMALLY PROTECTED**  
 SER. 038196M MOD. DF3G034N' STK.NO. 9722  
 VOLTS: 208-230 HZ: 60 AMPS: 0.9  
 RPM: 1075 SP: 1 PH: 1 CAP 5MFD / 370VAC  
 INS CL B AMB: 60°C CONT AO ← ROT →  
 BRG BALL HP: 1/8, 1/10, 1/12 ASSEMBLED IN MEXICO

GREEN (GROUND)	11.0/13.0 [279/330]	#10 EYELET
BLACK/WHITE	3.0/5.0 [76/127]	REVERSING PLUGS
BROWN	36.0/39.0 [914/991]	.60[15.2] SKIN
WHITE	36.0/39.0 [914/991]	.60[15.2] SKIN
BLACK	36.0/39.0 [914/991]	.60[15.2] SKIN
COLOR	LENGTH	TERMINAL OR STRIP LENGTH

REGAL-BELOIT CORPORATION (RBC) PROVIDES TECHNICAL ASSISTANCE TO OUR CUSTOMERS IN SEVERAL AREAS. SINCE RBC DOES NOT RECEIVE ALL DATA CONCERNING THE USE AND APPLICATION OF THE MOTOR, THE SUITABILITY OF THE MOTOR FOR THE APPLICATION MUST BE DETERMINED BY THE CUSTOMER.

DIMENSIONS WITHOUT TOLERANCES ARE FOR REFERENCE ONLY.

MAIN FRAME - OLE	ENCLOSED
END FRAME - OLE	ENCLOSED
MAIN FRAME - LE	ENCLOSED
END FRAME - LE	ENCLOSED

CUSTOMER -

SCHEMATIC-121

PERFORMANCE CURVE NO.	TORQUE @ 1075 RPM (25°C)	APPROVED SAMPLE	UL COMPONENT FILE #	CCN #	CSA FILE #	CLASS #
C32563	13.1 OZ. FT.	0603274A	E46412	PRGY2	LR43341	4211-01

DRAWING REVISION K	REVISION BY T.REYES	DATE 05-31-2019
ECO	APPROVED BY	DATE
ECO-0168140		
ECO DESCRIPTION		
SEE ECO		

COPYRIGHT REGAL-BELOIT AMERICA, INC. ALL RIGHTS RESERVED. PROPRIETARY AND CONFIDENTIAL INFORMATION - THIS DOCUMENT IS THE PROPERTY OF REGAL-BELOIT AMERICA, INC. (OWNER) AND CONTAINS OWNER'S PROPRIETARY INFORMATION. ANY PERSON, CORPORATION OR OTHER FIRM RECEIVING IT IS DEEMED, BY RECEIVING IT, TO AGREE THAT IT, AND/OR ANY PART OF IT, SHALL NOT BE DISCLOSED TO ANY PERSON, CORPORATION OR OTHER ENTITY, DUPLICATED, AND/OR USED, EXCEPT AS EXPRESSLY APPROVED IN WRITING IN ADVANCE BY OWNER. THIS DOCUMENT SHALL BE RETURNED TO OWNER UPON REQUEST. IT MAY BE SUBJECT TO CERTAIN RESTRICTIONS UNDER APPLICABLE EXPORT CONTROL LAWS AND REGULATIONS.

DRAWN BY: J.RUPERT
DATE: 05-11-2006
APPROVED BY: T.RILEY
DATE: 05-11-2006
REFERENCE
THIRD ANGLE PROJECTION

**REGAL™** Regal Beloit America, Inc.  
 DESCRIPTION MODEL-RFHP-42FR OUTLINE  
 MATERIAL PROCESS/FINISH  
 SIZE DWG NO. DF3G7034  
 SHEET 1