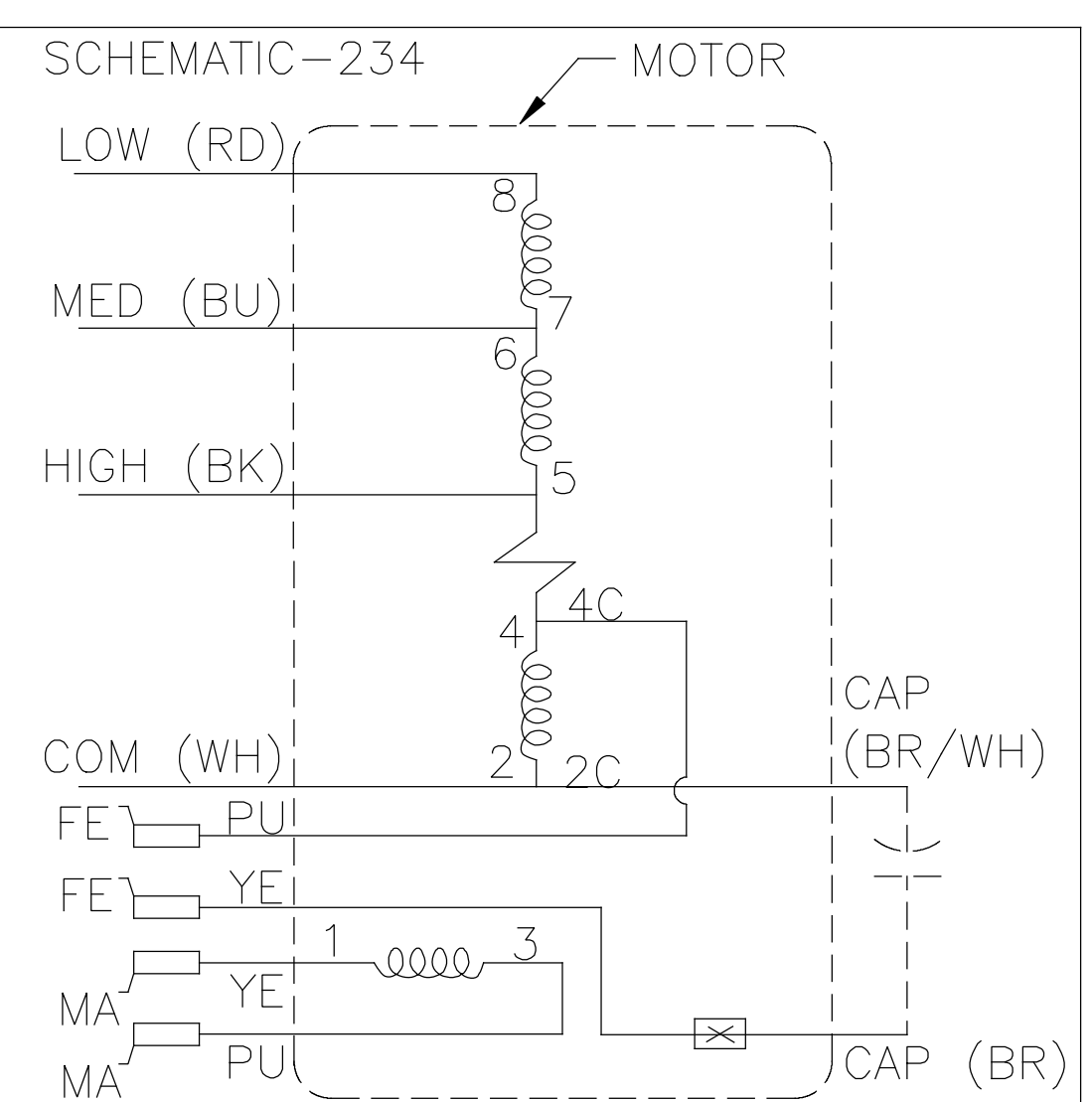
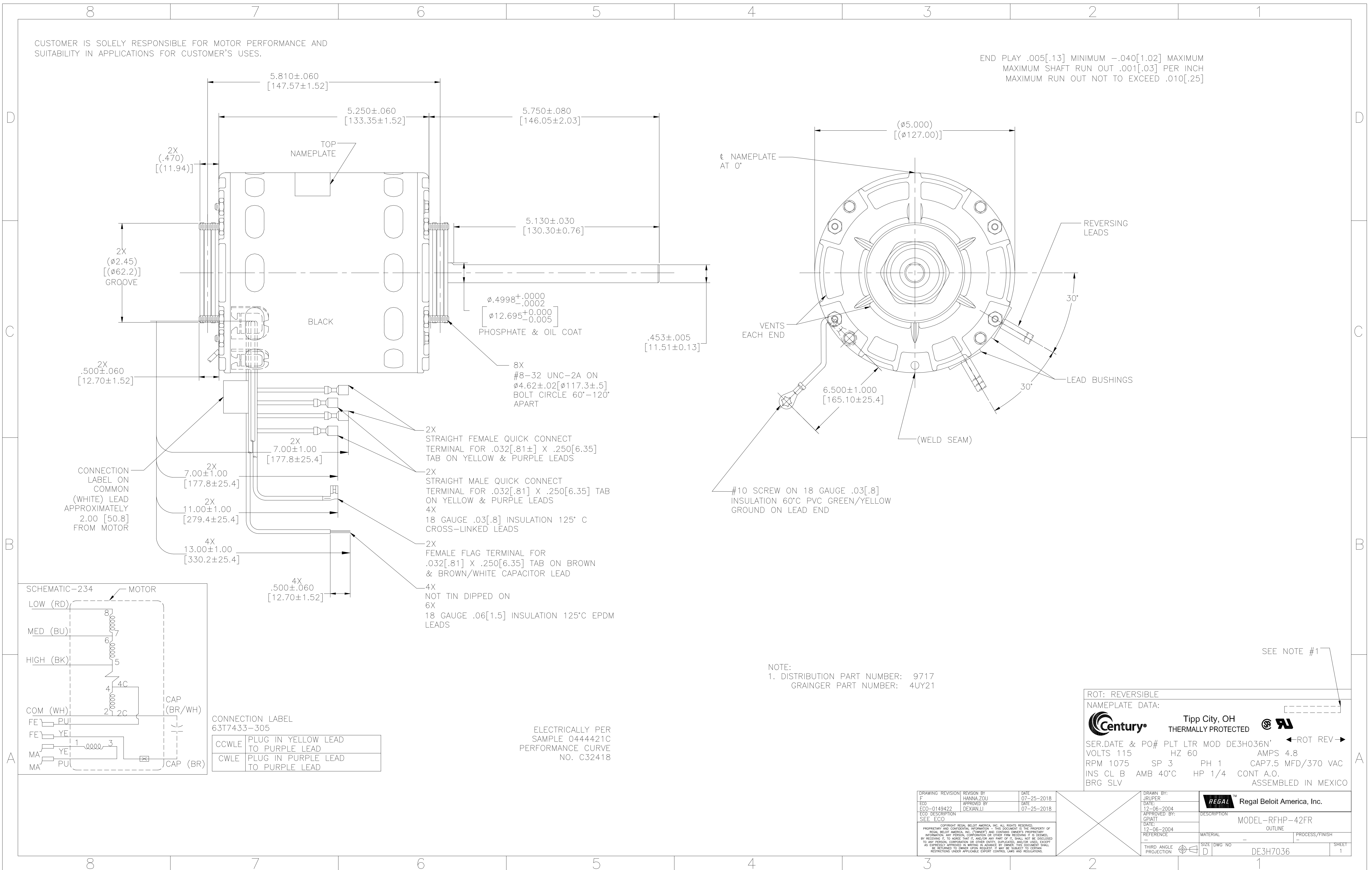


CUSTOMER IS SOLELY RESPONSIBLE FOR MOTOR PERFORMANCE AND SUITABILITY IN APPLICATIONS FOR CUSTOMER'S USES.

END PLAY .005[.13] MINIMUM -.040[1.02] MAXIMUM
MAXIMUM SHAFT RUN OUT .001[.03] PER INCH
MAXIMUM RUN OUT NOT TO EXCEED .010[.25]



CCWLE	PLUG IN YELLOW LEAD TO PURPLE LEAD
CWLE	PLUG IN PURPLE LEAD TO PURPLE LEAD

ELECTRICALLY PER SAMPLE 0444421C PERFORMANCE CURVE NO. C32418

ROT: REVERSIBLE	
NAMEPLATE DATA:	
	Tipp City, OH THERMALLY PROTECTED
SER. DATE & PO#	PLT LTR MOD DE3H036N' ←ROT REV→
VOLTS 115	HZ 60
RPM 1075	SP 3 PH 1
INS CL B	AMB 40°C HP 1/4
BRG SLV	CONT A.O.
ASSEMBLED IN MEXICO	

DRAWING REVISION	REVISION BY	DATE
F	HANNA ZOU	07-25-2018
ECO-0149422	APPROVED BY	DATE
SEE ECO	DEXIAN LI	07-25-2018

DRAWN BY:	JRUPER
DATE:	12-06-2004
APPROVED BY:	
DATE:	12-06-2004
DESCRIPTION:	MODEL-RFHP-42FR
MATERIAL:	OUTLINE
PROCESS/FINISH:	
THIRD ANGLE PROJECTION	
SIZE DWG NO	D
SHEET	1