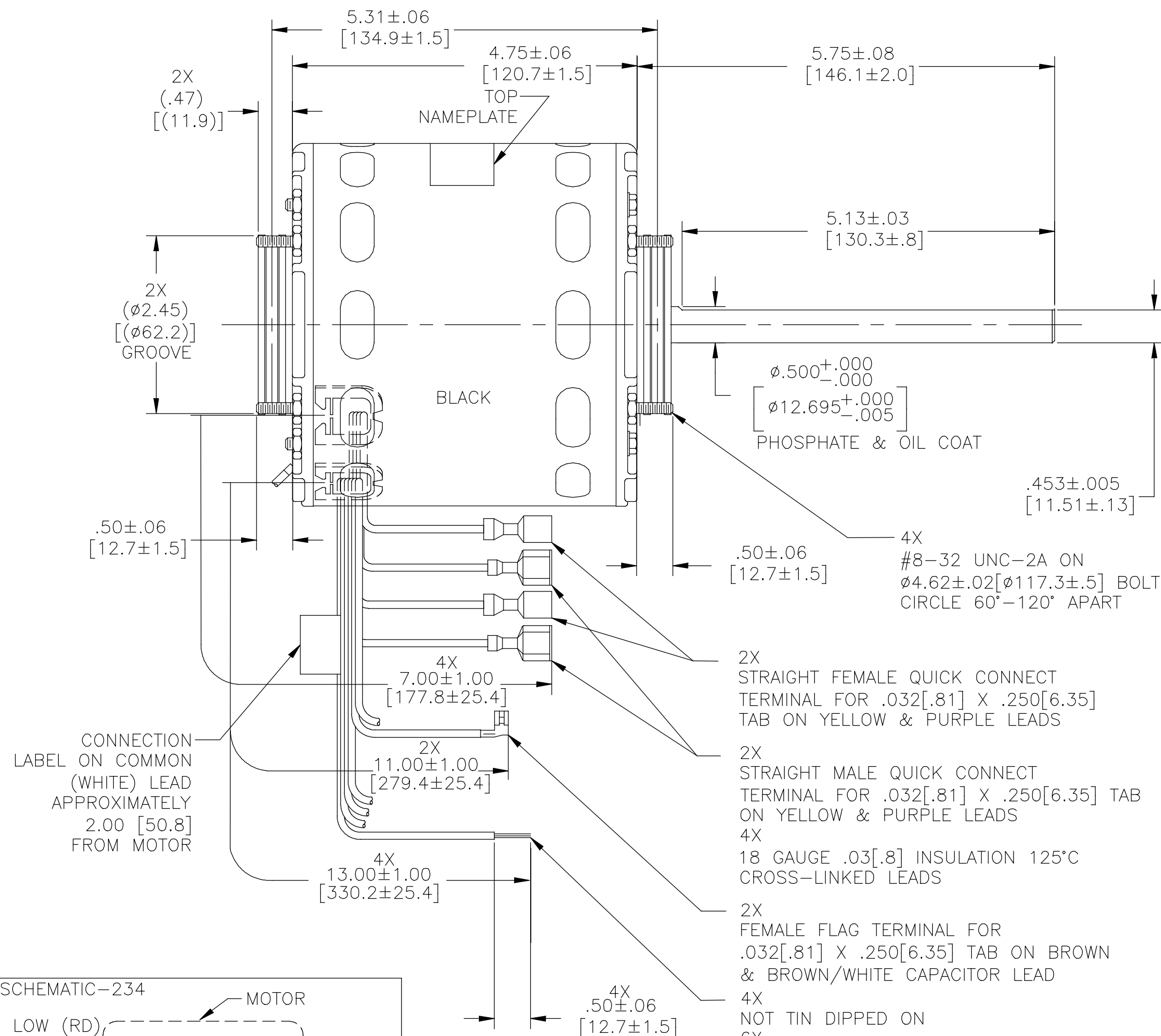
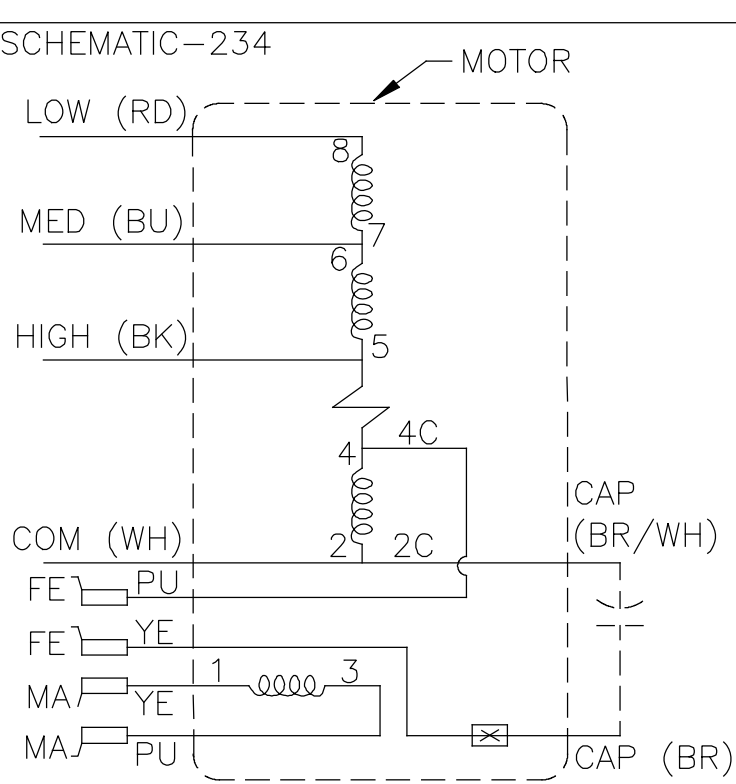


CUSTOMER IS SOLELY RESPONSIBLE FOR MOTOR PERFORMANCE AND SUITABILITY IN APPLICATIONS FOR CUSTOMER'S USES.

END PLAY .005[.13] MINIMUM $-.040[1.02]$ MAXIMUM
 MAXIMUM SHAFT RUN OUT .001[.03] PER INCH
 MAXIMUM RUN OUT NOT TO EXCEED .010[.25]

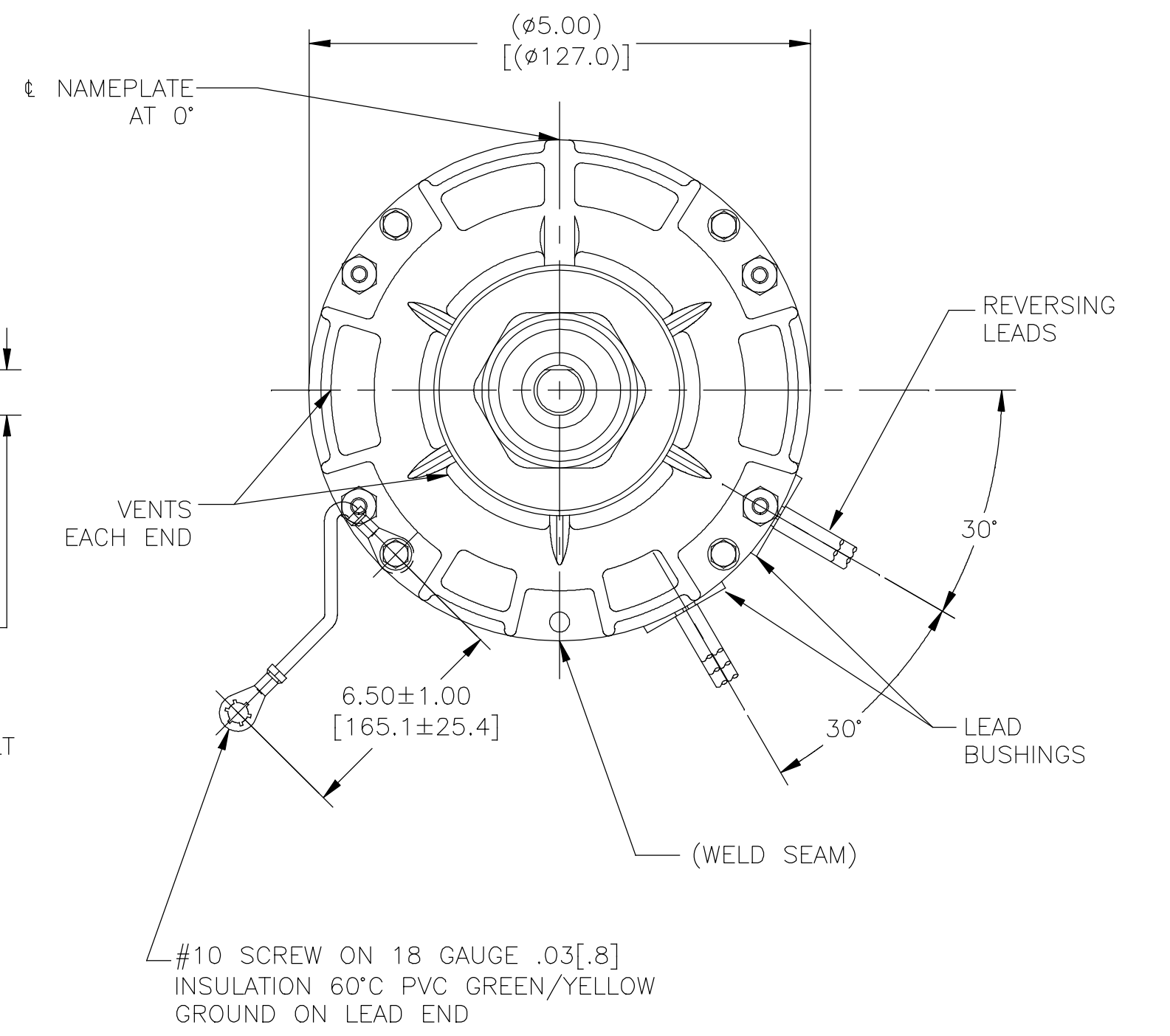


CONNECTION LABEL ON COMMON (WHITE) LEAD APPROXIMATELY 2.00 [50.8] FROM MOTOR



CONNECTION LABEL 63T7433-305

CCWLE	PLUG IN YELLOW LEAD TO PURPLE LEAD
CWLE	PLUG IN PURPLE LEAD TO PURPLE LEAD



NOTE:
 1. DISTRIBUTION PART NUMBER: 9715
 GRAINGER PART NUMBER: 4UY19

SEE NOTE #1

ROT: REVERSIBLE

NAMEPLATE DATA:

Tipp City, OH
 THERMALLY PROTECTED

SER. DATE & PO# PLT LTR MOD DE3H035N' [] AMPS 3.1
 VOLTS 115 HZ
 RPM 1075 SP PH1 CAP5 MFD/370 VAC
 INS CL B AMB 40°C HP CONT A.O. ← ROT REV →
 BRG SLV ASSEMBLED IN MEXICO

ELECTRICALLY PER SAMPLE 0444420C PERFORMANCE CURVE NO. C32440

DRAWING REVISION F	REVISION BY HANNA.ZOU	DATE 07-25-2018
ECO-0149422	APPROVED BY DEXIAN.LI	DATE 07-25-2018

COPYRIGHT REGAL BELOIT AMERICA, INC. ALL RIGHTS RESERVED. PROPRIETARY AND CONFIDENTIAL INFORMATION - THIS DOCUMENT IS THE PROPERTY OF REGAL BELOIT AMERICA, INC. (OWNER) AND CONTAINS OWNER'S PROPRIETARY INFORMATION. ANY PERSON, CORPORATION OR OTHER FIRM RECEIVING IT IS DEEMED, BY RECEIVING IT, TO AGREE THAT IT, AND/OR ANY PART OF IT, SHALL NOT BE DISCLOSED TO ANY PERSON, CORPORATION OR OTHER ENTITY, DUPLICATED, AND/OR USED, EXCEPT AS EXPRESSLY APPROVED IN WRITING IN ADVANCE BY OWNER. THIS DOCUMENT SHALL BE RETURNED TO OWNER UPON REQUEST. IT MAY BE SUBJECT TO CERTAIN RESTRICTIONS UNDER APPLICABLE EXPORT CONTROL LAWS AND REGULATIONS.

DRAWN BY: JRUPER	REGAL™ Regal Beloit America, Inc.
DATE: 12-02-2004	
APPROVED BY: JRUPER	DESCRIPTION: MODEL-RFHP-42FR OUTLINE
DATE: 12-02-2004	MATERIAL: PROCESS/FINISH:
REFERENCE:	SIZE DWG NO: DE3H7035
THIRD ANGLE PROJECTION	SHEET 1