

GENERAL INFORMATION:

SHAFT RUNOUT: .001 [.03] T.I.R. PER INCH LENGTH OF EXTENSION.

END PLAY: .010 [.25] TO .063 [1.60]

BEARINGS: SLEEVE

MOUNTING POSITION: ALL ANGLE

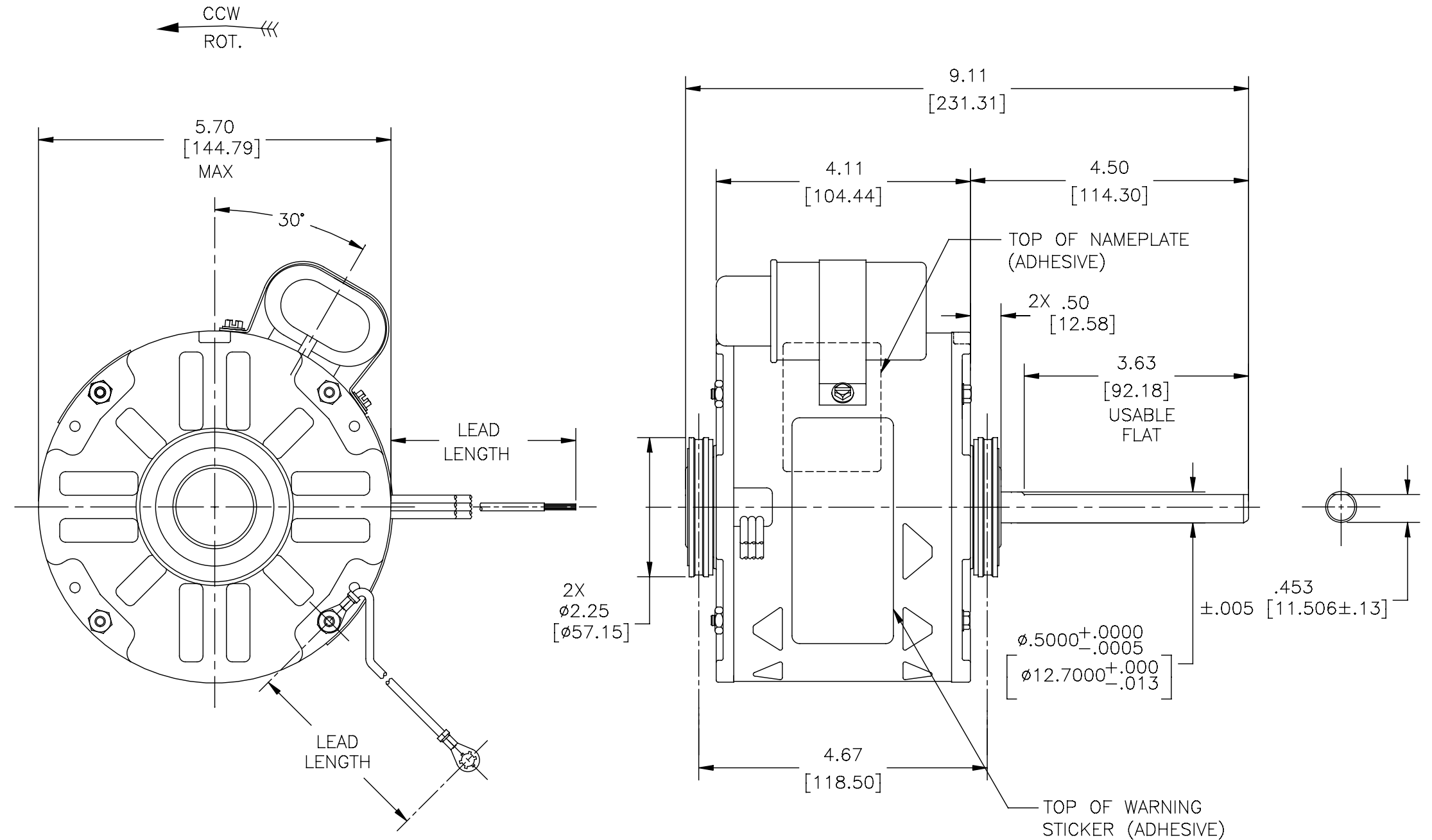
ELECTRICAL DATA:

OVERLOAD PROTECTOR: AUTOMATIC RESET (SENSATA 7AM 304)

LEADS: NO. 18 GA., .06 [1.5] THK., PVC 105° INSULATION

GROUND LEAD: NO. 18 GA., .03 [.8] THK., (GREEN) INSULATION

NOTE:
1. DISTRIBUTION PART NUMBER: 9704
GRAINGER PART NUMBER: 4UU84



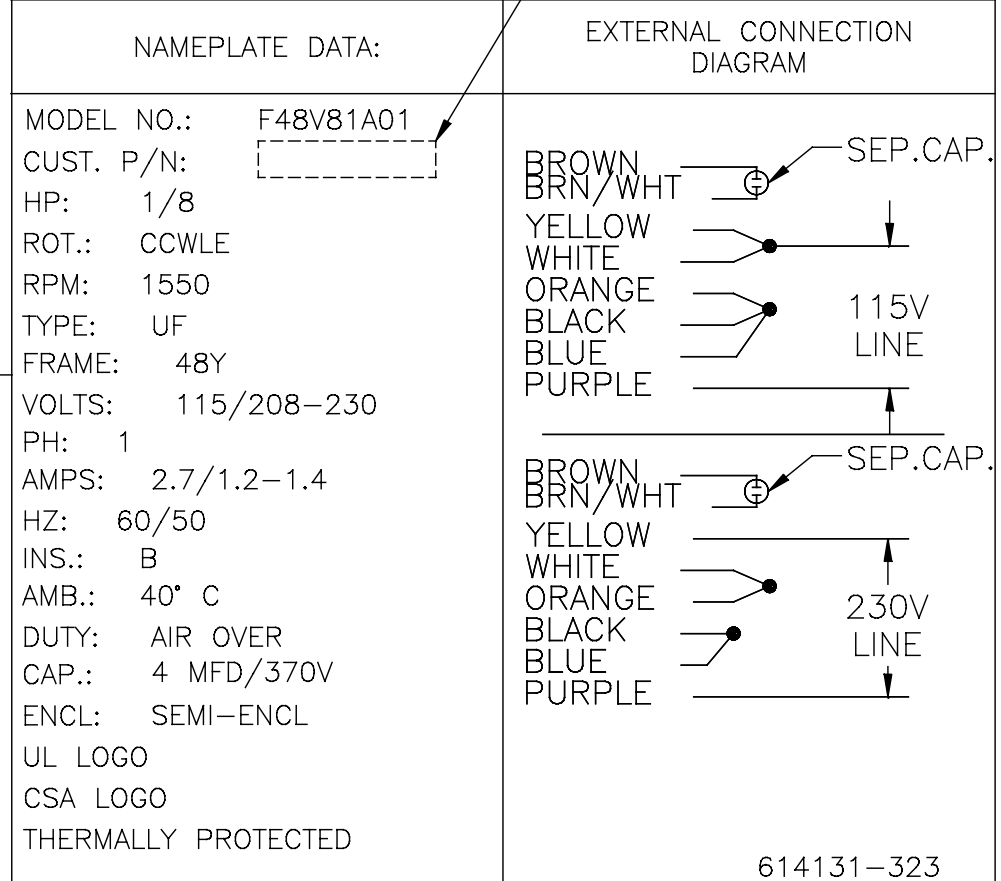
GREEN(GRD)	11.0/13.0 [279/330]	#10 SERRATED EYELET
BROWN	CONNECTED TO CAPACITOR	.25 [6.4] FLAG
BROWN/WHITE	CONNECTED TO CAPACITOR	.25 [6.4] FLAG
ORANGE	11.0/13.0 [279/330]	.50 [12.7] SKIN
YELLOW	11.0/13.0 [279/330]	.50 [12.7] SKIN
PURPLE	11.0/13.0 [279/330]	.50 [12.7] SKIN
BLACK	11.0/13.0 [279/330]	.50 [12.7] SKIN
WHITE	11.0/13.0 [279/330]	.50 [12.7] SKIN
BLUE	11.0/13.0 [279/330]	.50 [12.7] SKIN
COLOR	LENGTH	TERMINAL OR STRIP LENGTH

REGAL-BELOIT CORPORATION (RBC) PROVIDES TECHNICAL ASSISTANCE TO OUR CUSTOMERS IN SEVERAL AREAS. SINCE RBC DOES NOT RECEIVE ALL DATA CONCERNING THE USE AND APPLICATION OF THE MOTOR, THE SUITABILITY OF THE MOTOR FOR THE APPLICATION MUST BE DETERMINED BY THE CUSTOMER.

DIMENSIONS WITHOUT TOLERANCES ARE FOR REFERENCE ONLY.

MAIN FRAME - OLE	SEMI-ENCL.
END FRAME - OLE	OPEN
MAIN FRAME - LE	SEMI-ENCL.
END FRAME - LE	OPEN

CUSTOMER	DISTRIBUTION SERVICE
----------	----------------------



PERFORMANCE CURVE NO.	TORQUE @ 1550 RPM (25°C)	APPROVED SAMPLE	UL COMPONENT		CSA	
C32408	11.0 OZ. FT.	0442805A	FILE #	CCN #	FILE #	CLASS #
			E46412	PRGY2	LR43341	4211-01

DRAWING REVISION D	REVISION BY J. Rupert	DATE 11-06-2015
ECO-0082969	APPROVED BY J. Rupert	DATE 11-06-2015
ECO DESCRIPTION CORRECTED GROUND LEAD COLOR		

DRAWN BY: J. Rupert	DATE: 11-06-2015
APPROVED BY: J. Rupert	DATE: 11-06-2015
PROCESS/FINISH	
THIRD ANGLE PROJECTION	

REGAL™ Regal Beloit America, Inc.	
DESCRIPTION	MODEL-RFHP-48FR OUTLINE
MATERIAL	
SIZE	C
DWG NO	9704
SHEET	1

COPYRIGHT REGAL-BELOIT AMERICA, INC. ALL RIGHTS RESERVED. PROPRIETARY AND CONFIDENTIAL INFORMATION - THIS DOCUMENT IS THE PROPERTY OF REGAL-BELOIT AMERICA, INC. (OWNER) AND CONTAINS OWNER'S PROPRIETARY INFORMATION. ANY PERSON, CORPORATION OR OTHER FIRM RECEIVING IT IS DEEMED, BY RECEIVING IT, TO AGREE THAT IT, AND/OR ANY PART OF IT, SHALL NOT BE DISCLOSED TO ANY PERSON, CORPORATION OR OTHER ENTITY, DUPLICATED, AND/OR USED, EXCEPT AS EXPRESSLY APPROVED IN WRITING IN ADVANCE BY OWNER. THIS DOCUMENT SHALL BE RETURNED TO OWNER UPON REQUEST. IT MAY BE SUBJECT TO CERTAIN RESTRICTIONS UNDER APPLICABLE EXPORT CONTROL LAWS AND REGULATIONS.