

4

3

2

1

GENERAL INFORMATION:

SHAFT RUNOUT: .001[.03] T.I.R. PER INCH[mm] LENGTH OF EXTENSION

END PLAY: .010[.25] TO .063[1.60]

BEARINGS: SLEEVE

MOUNTING POSITION: HORIZONTAL

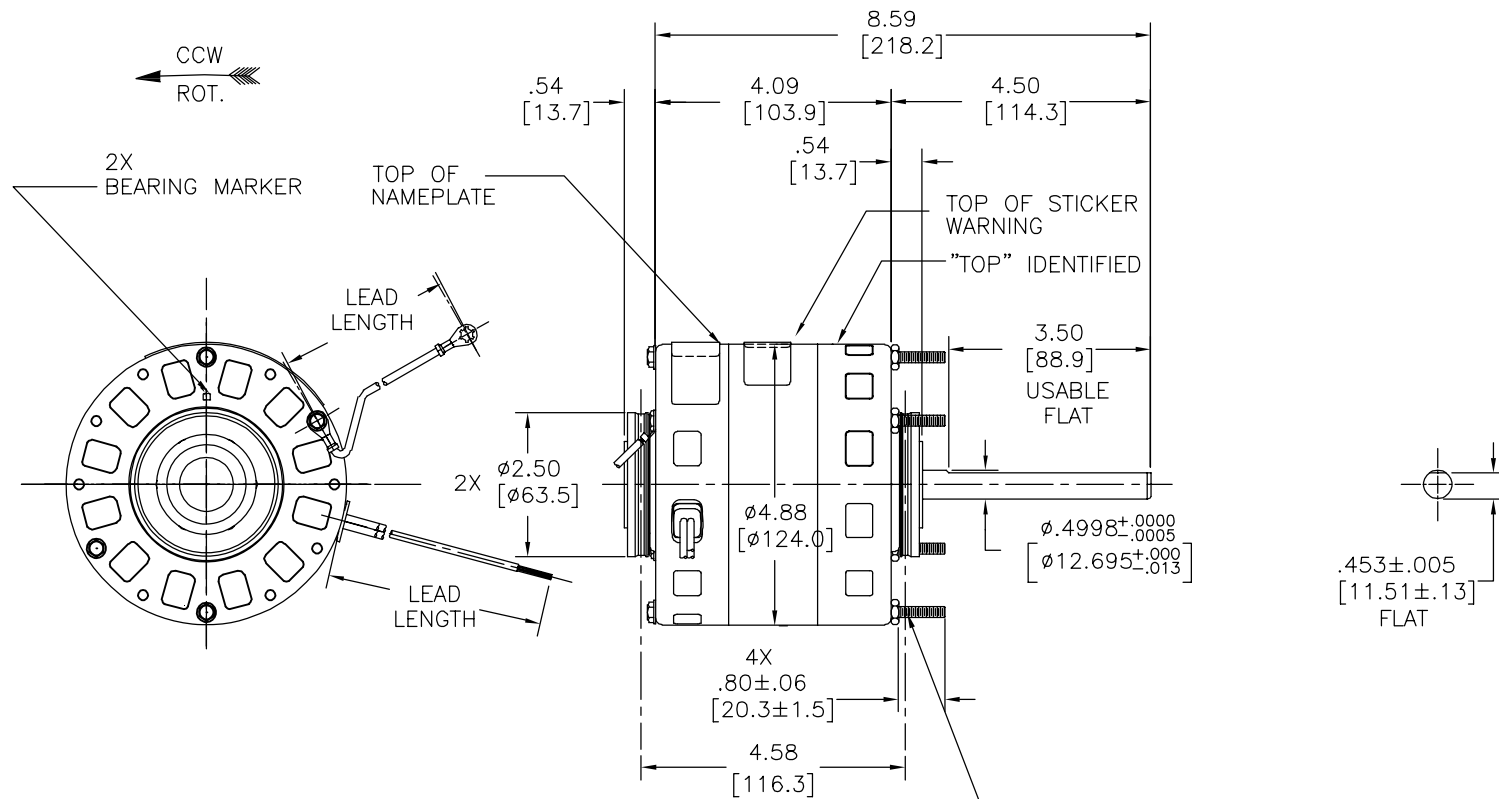
ELECTRICAL DATA:

OVERLOAD PROTECTOR: AUTOMATIC RESET (T.I. 7AM 304)

LEADS: NO. 18 GA., .03[.8] THK., 105°C INSUL. PVC

GROUND LEAD: NO. 18 GA., .03[.8] THK. GRN/YEL INSUL.

| | | | | | |
|-----|---------|-------------|------------|----------|------------|
| REV | ECO | REV BY | DATE | APPD | DATE |
| D | 0025529 | J.M.RAMIREZ | 04-23-2012 | R.RASCON | 04-23-2012 |

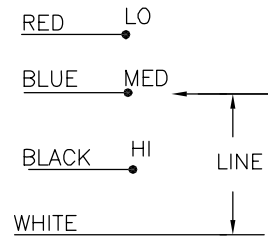


SEE NOTE 1

NAMEPLATE DATA:

EXTERNAL CONNECTION DIAGRAM

MODEL NO.: B42A96A01
 CUST. P/N: []
 HP: 1/6
 ROT.: CCWLE
 RPM: 1050/3 SPD
 TYPE: FE
 FRAME: 42Y
 VOLTS: 115
 PH: 1
 AMPS: 6.3
 HZ: 60
 INS.: B
 AMB.: 40°C
 DUTY: AIR OVER
 CAP.: ---
 CSA LOGO
 UL LOGO
 THERMALLY PROTECTED TYPE C



| | | |
|-------------|------------------------------|--------------------------|
| GREEN (GRD) | 11.00/13.00 [279.4/330.2] | #10 EYELET |
| WHITE | 25.00/27.00 [635.0/685.8] | .50 [12.7] SKIN |
| BLACK | 25.00/27.00 [635.0/685.8] | .50 [12.7] SKIN |
| BLUE | 25.00/27.00 [635.0/685.8] | .50 [12.7] SKIN |
| RED | 25.00/27.00 [635.0/685.8] | .50 [12.7] SKIN |
| COLOR | LENGTH | TERMINAL OR STRIP LENGTH |

NOTE:
 1. DISTRIBUTION PART NUMBER: 9701.
 GRAINGER PART NUMBER: 4UU79.

| | |
|------------------|------|
| MAIN FRAME - OLE | OPEN |
| END FRAME - OLE | OPEN |
| MAIN FRAME - LE | OPEN |
| END FRAME - LE | OPEN |

| | |
|-------|----------------------|
| CUST. | DISTRIBUTION SERVICE |
|-------|----------------------|

| | | | | |
|-----------------------|--------------------------|-----------------|--------------|-----------------|
| PERFORMANCE CURVE NO. | TORQUE @ 1075 RPM (25°C) | APPROVED SAMPLE | UL COMPONENT | CSA |
| C32337 | 17.99 OZ. FT. | 0443925B | E46412 PRGY2 | LR43341 4211-01 |

GEOMETRIC CHARACTERISTICS & SYMBOLS
 □ FLATNESS
 - STRAIGHTNESS
 < ANGULARITY
 ⊥ PERPENDICULARITY (SQUARENESS)
 // PARALLELISM
 ○ ROUNDNESS (CIRCULARITY)
 ∅ CYLINDRICITY
 △ PROFILE OF ANY SURFACE
 ∩ PROFILE OF ANY LINE
 ↗ RUNOUT
 ⊕ TRUE POSITION
 ⊙ CONCENTRICITY
 = SYMMETRY
 ASME Y14.5M 1994

UNLESS OTHERWISE SPECIFIED DIM. TOLERANCES ARE AS FOLLOWS:
 INCH X XX XXX XXXX
 mm ±0.5 ±0.13 ±0.013
 ANG. ±.50 DEG
 REMOVE BURRS & BREAK SHARP EDGES:
 INCH .003-.015 mm 0.1-0.4
 CORNER FILLETS TO:
 INCH .020 mm 0.5
 MACHINE SURFACES:
 INCH 125 mm 3.2
 METRIC DIMS. SHOWN IN [BRACKETS]

DR BY: S.RECKERS 08-21-2004
 APPD: G.PIAT 09-09-2004
 THIRD ANGLE PROJECTION
 EDS DATE 11-11-2011
 FORMAT REV G
 CONFIDENTIAL: THIS DRAWING AND ITS INFORMATION ARE THE EXCLUSIVE AND CONFIDENTIAL PROPERTY OF REGAL-BELOIT CORPORATION AND ARE NOT TO BE DISCLOSED, DUPLICATED, DISTRIBUTED OR OTHERWISE USED WITHOUT THE WRITTEN CONSENT OF REGAL-BELOIT CORPORATION.
 -ALL RIGHTS RESERVED.

REGAL-BELOIT CORPORATION
 DESCRIPTION: MODEL-RFHP-42FR OUTLINE
 SIZE C DWG NO 11674-037
 SCALE NONE SHEET 1

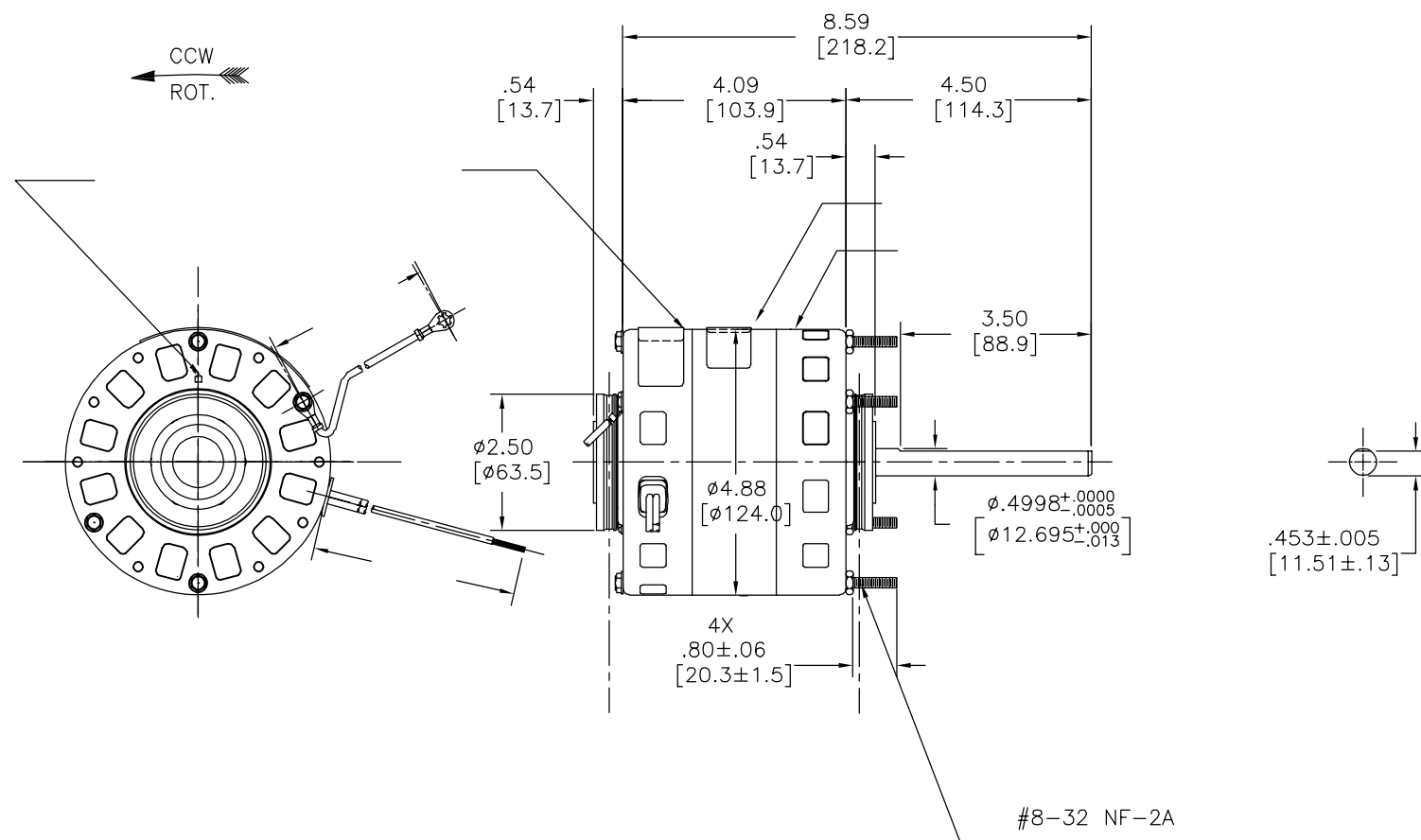
4

3

2

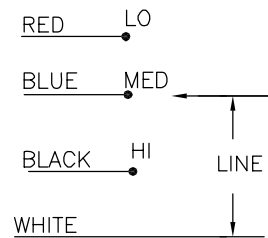
1

| | | | | | |
|-----------|---------|---------------|------------|---------------|------------|
| REVISION: | ECO | REVISADO POR: | FECHA: | APROBADO POR: | FECHA: |
| D | 0025529 | J.M.RAMIREZ | 04-23-2012 | R.RASCON | 04-23-2012 |



ELECTRICAL DATA:

MODEL NO.: B42A96A01
 CUST. P/N: []
 HP: 1/6
 ROT.: CCWLE
 RPM: 1050/3 SPD
 TYPE: FE
 FRAME: 42Y
 VOLTS: 115
 PH: 1
 AMPS: 6.3
 HZ: 60
 INS.: B
 AMB.: 40°C
 DUTY: AIR OVER
 CAP.: ---
 CSA LOGO
 UL LOGO
 THERMALLY PROTECTED
 TYPE C



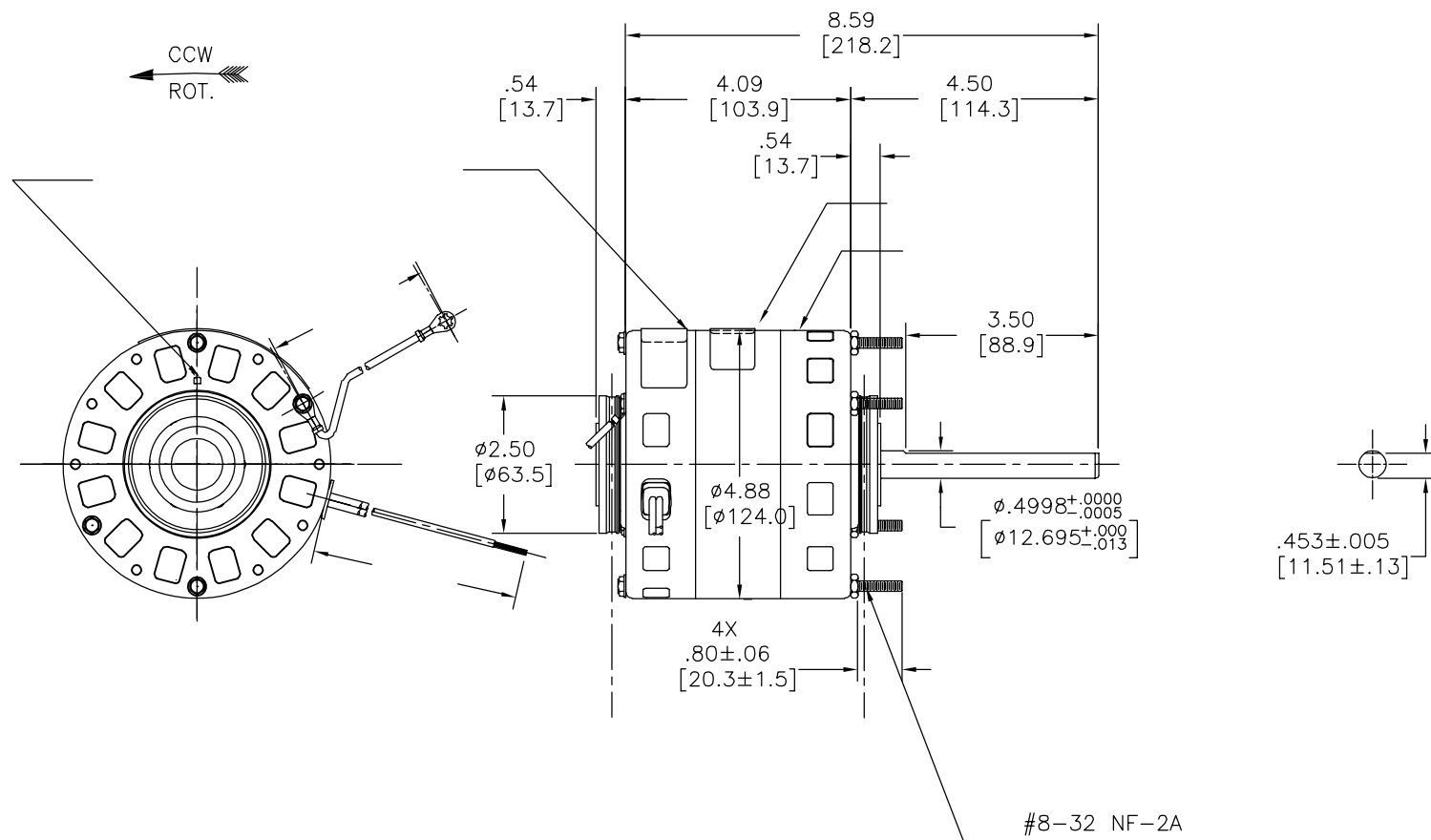
| | | |
|--|---------------|------------|
| | 11.00/13.00 | |
| | [279.4/330.2] | |
| | 25.00/27.00 | .50 [12.7] |
| | [635.0/685.8] | |
| | 25.00/27.00 | .50 [12.7] |
| | [635.0/685.8] | |
| | 25.00/27.00 | .50 [12.7] |
| | [635.0/685.8] | |
| | 25.00/27.00 | .50 [12.7] |
| | [635.0/685.8] | |

| | | | | | |
|--------|---------------|----------|--------|---------|-----------------|
| | | CSA | | | |
| | FILE # | CCN # | FILE # | CLASS # | |
| C32337 | 17.99 OZ. FT. | 0443925B | E46412 | PRGY2 | LR43341 4211-01 |

CARACTERISTICAS DE GEOMETRIA Y SIMBOLOS
 □ PLANICIDAD
 — RECTITUD
 < ANGULARIDAD
 ⊥ PERPENDICULARIDAD (A ESCUADRA)
 // PARALELISMO
 ○ REDONDEZ (CIRCULARIDAD)
 ∅ CILINDRICIDAD
 △ PERFIL DE CUALQUIER SUPERFICIE
 ∇ PERFIL DE CUALQUIER LINEA
 / VARIACION
 ⊕ POSICION REAL
 ⊙ CONCENTRICIDAD
 = SIMETRIA
 ASME Y14.5M 1994

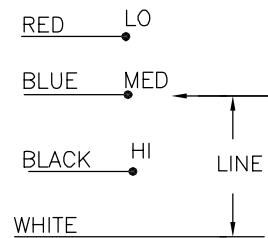
A MENOS QUE SE ESPECIFIQUE DE OTRA MANERA LAS TOLERANCIAS EN LAS DIMENSIONES SON LAS SIGUIENTES EN VARIAS AREAS: ±.005, ±.003, ±.002, ±.001, ±.010, ±.015, ±.020, ±.030, ±.040, ±.050, ±.060, ±.070, ±.080, ±.090, ±.100, ±.120, ±.150, ±.200, ±.250, ±.300, ±.375, ±.450, ±.560, ±.700, ±.875, ±.1.125, ±.1.500, ±.1.875, ±.2.375, ±.3.000, ±.3.750, ±.4.500, ±.5.625, ±.7.000, ±.8.750, ±.11.250, ±.15.000, ±.18.750, ±.23.625, ±.30.000, ±.37.500, ±.47.250, ±.60.000, ±.75.000, ±.93.750, ±.118.125, ±.148.125, ±.187.500, ±.234.375, ±.293.750, ±.367.500, ±.461.250, ±.576.562, ±.720.703, ±.900.879, ±.1126.099, ±.1407.624, ±.1754.530, ±.2193.163, ±.2731.454, ±.3384.368, ±.4230.461, ±.5288.115, ±.6570.769, ±.8188.461, ±.10160.727, ±.12576.409, ±.15595.512, ±.19248.765, ±.23981.156, ±.29520.500, ±.36150.750, ±.44100.000, ±.53700.000, ±.65100.000, ±.78600.000, ±.94500.000, ±.113400.000, ±.136800.000, ±.165300.000, ±.199500.000, ±.240000.000, ±.288000.000, ±.345000.000, ±.411000.000, ±.480000.000, ±.564000.000, ±.657000.000, ±.760000.000, ±.870000.000, ±.987000.000, ±.1113000.000, ±.1257000.000, ±.1413000.000, ±.1581000.000, ±.1758000.000, ±.1950000.000, ±.2193000.000, ±.2430000.000, ±.2670000.000, ±.2910000.000, ±.3150000.000, ±.3390000.000, ±.3630000.000, ±.3870000.000, ±.4110000.000, ±.4350000.000, ±.4590000.000, ±.4830000.000, ±.5070000.000, ±.5310000.000, ±.5550000.000, ±.5790000.000, ±.6030000.000, ±.6270000.000, ±.6510000.000, ±.6750000.000, ±.7000000.000, ±.7200000.000, ±.7400000.000, ±.7600000.000, ±.7800000.000, ±.8000000.000, ±.8200000.000, ±.8400000.000, ±.8600000.000, ±.8800000.000, ±.9000000.000, ±.9200000.000, ±.9400000.000, ±.9600000.000, ±.9800000.000, ±.10000000.000, ±.10200000.000, ±.10400000.000, ±.10600000.000, ±.10800000.000, ±.11000000.000, ±.11200000.000, ±.11400000.000, ±.11600000.000, ±.11800000.000, ±.12000000.000, ±.12200000.000, ±.12400000.000, ±.12600000.000, ±.12800000.000, ±.13000000.000, ±.13200000.000, ±.13400000.000, ±.13600000.000, ±.13800000.000, ±.14000000.000, ±.14200000.000, ±.14400000.000, ±.14600000.000, ±.14800000.000, ±.15000000.000, ±.15200000.000, ±.15400000.000, ±.15600000.000, ±.15800000.000, ±.16000000.000, ±.16200000.000, ±.16400000.000, ±.16600000.000, ±.16800000.000, ±.17000000.000, ±.17200000.000, ±.17400000.000, ±.17600000.000, ±.17800000.000, ±.18000000.000, ±.18200000.000, ±.18400000.000, ±.18600000.000, ±.18800000.000, ±.19000000.000, ±.19200000.000, ±.19400000.000, ±.19600000.000, ±.19800000.000, ±.20000000.000, ±.20200000.000, ±.20400000.000, ±.20600000.000, ±.20800000.000, ±.21000000.000, ±.21200000.000, ±.21400000.000, ±.21600000.000, ±.21800000.000, ±.22000000.000, ±.22200000.000, ±.22400000.000, ±.22600000.000, ±.22800000.000, ±.23000000.000, ±.23200000.000, ±.23400000.000, ±.23600000.000, ±.23800000.000, ±.24000000.000, ±.24200000.000, ±.24400000.000, ±.24600000.000, ±.24800000.000, ±.25000000.000, ±.25200000.000, ±.25400000.000, ±.25600000.000, ±.25800000.000, ±.26000000.000, ±.26200000.000, ±.26400000.000, ±.26600000.000, ±.26800000.000, ±.27000000.000, ±.27200000.000, ±.27400000.000, ±.27600000.000, ±.27800000.000, ±.28000000.000, ±.28200000.000, ±.28400000.000, ±.28600000.000, ±.28800000.000, ±.29000000.000, ±.29200000.000, ±.29400000.000, ±.29600000.000, ±.29800000.000, ±.30000000.000, ±.30200000.000, ±.30400000.000, ±.30600000.000, ±.30800000.000, ±.31000000.000, ±.31200000.000, ±.31400000.000, ±.31600000.000, ±.31800000.000, ±.32000000.000, ±.32200000.000, ±.32400000.000, ±.32600000.000, ±.32800000.000, ±.33000000.000, ±.33200000.000, ±.33400000.000, ±.33600000.000, ±.33800000.000, ±.34000000.000, ±.34200000.000, ±.34400000.000, ±.34600000.000, ±.34800000.000, ±.35000000.000, ±.35200000.000, ±.35400000.000, ±.35600000.000, ±.35800000.000, ±.36000000.000, ±.36200000.000, ±.36400000.000, ±.36600000.000, ±.36800000.000, ±.37000000.000, ±.37200000.000, ±.37400000.000, ±.37600000.000, ±.37800000.000, ±.38000000.000, ±.38200000.000, ±.38400000.000, ±.38600000.000, ±.38800000.000, ±.39000000.000, ±.39200000.000, ±.39400000.000, ±.39600000.000, ±.39800000.000, ±.40000000.000, ±.40200000.000, ±.40400000.000, ±.40600000.000, ±.40800000.000, ±.41000000.000, ±.41200000.000, ±.41400000.000, ±.41600000.000, ±.41800000.000, ±.42000000.000, ±.42200000.000, ±.42400000.000, ±.42600000.000, ±.42800000.000, ±.43000000.000, ±.43200000.000, ±.43400000.000, ±.43600000.000, ±.43800000.000, ±.44000000.000, ±.44200000.000, ±.44400000.000, ±.44600000.000, ±.44800000.000, ±.45000000.000, ±.45200000.000, ±.45400000.000, ±.45600000.000, ±.45800000.000, ±.46000000.000, ±.46200000.000, ±.46400000.000, ±.46600000.000, ±.46800000.000, ±.47000000.000, ±.47200000.000, ±.47400000.000, ±.47600000.000, ±.47800000.000, ±.48000000.000, ±.48200000.000, ±.48400000.000, ±.48600000.000, ±.48800000.000, ±.49000000.000, ±.49200000.000, ±.49400000.000, ±.49600000.000, ±.49800000.000, ±.50000000.000, ±.50200000.000, ±.50400000.000, ±.50600000.000, ±.50800000.000, ±.51000000.000, ±.51200000.000, ±.51400000.000, ±.51600000.000, ±.51800000.000, ±.52000000.000, ±.52200000.000, ±.52400000.000, ±.52600000.000, ±.52800000.000, ±.53000000.000, ±.53200000.000, ±.53400000.000, ±.53600000.000, ±.53800000.000, ±.54000000.000, ±.54200000.000, ±.54400000.000, ±.54600000.000, ±.54800000.000, ±.55000000.000, ±.55200000.000, ±.55400000.000, ±.55600000.000, ±.55800000.000, ±.56000000.000, ±.56200000.000, ±.56400000.000, ±.56600000.000, ±.56800000.000, ±.57000000.000, ±.57200000.000, ±.57400000.000, ±.57600000.000, ±.57800000.000, ±.58000000.000, ±.58200000.000, ±.58400000.000, ±.58600000.000, ±.58800000.000, ±.59000000.000, ±.59200000.000, ±.59400000.000, ±.59600000.000, ±.59800000.000, ±.60000000.000, ±.60200000.000, ±.60400000.000, ±.60600000.000, ±.60800000.000, ±.61000000.000, ±.61200000.000, ±.61400000.000, ±.61600000.000, ±.61800000.000, ±.62000000.000, ±.62200000.000, ±.62400000.000, ±.62600000.000, ±.62800000.000, ±.63000000.000, ±.63200000.000, ±.63400000.000, ±.63600000.000, ±.63800000.000, ±.64000000.000, ±.64200000.000, ±.64400000.000, ±.64600000.000, ±.64800000.000, ±.65000000.000, ±.65200000.000, ±.65400000.000, ±.65600000.000, ±.65800000.000, ±.66000000.000, ±.66200000.000, ±.66400000.000, ±.66600000.000, ±.66800000.000, ±.67000000.000, ±.67200000.000, ±.67400000.000, ±.67600000.000, ±.67800000.000, ±.68000000.000, ±.68200000.000, ±.68400000.000, ±.68600000.000, ±.68800000.000, ±.69000000.000, ±.69200000.000, ±.69400000.000, ±.69600000.000, ±.69800000.000, ±.70000000.000, ±.70200000.000, ±.70400000.000, ±.70600000.000, ±.70800000.000, ±.71000000.000, ±.71200000.000, ±.71400000.000, ±.71600000.000, ±.71800000.000, ±.72000000.000, ±.72200000.000, ±.72400000.000, ±.72600000.000, ±.72800000.000, ±.73000000.000, ±.73200000.000, ±.73400000.000, ±.73600000.000, ±.73800000.000, ±.74000000.000, ±.74200000.000, ±.74400000.000, ±.74600000.000, ±.74800000.000, ±.75000000.000, ±.75200000.000, ±.75400000.000, ±.75600000.000, ±.75800000.000, ±.76000000.000, ±.76200000.000, ±.76400000.000, ±.76600000.000, ±.76800000.000, ±.77000000.000, ±.77200000.000, ±.77400000.000, ±.77600000.000, ±.77800000.000, ±.78000000.000, ±.78200000.000, ±.78400000.000, ±.78600000.000, ±.78800000.000, ±.79000000.000, ±.79200000.000, ±.79400000.000, ±.79600000.000, ±.79800000.000, ±.80000000.000, ±.80200000.000, ±.80400000.000, ±.80600000.000, ±.80800000.000, ±.81000000.000, ±.81200000.000, ±.81400000.000, ±.81600000.000, ±.81800000.000, ±.82000000.000, ±.82200000.000, ±.82400000.000, ±.82600000.000, ±.82800000.000, ±.83000000.000, ±.83200000.000, ±.83400000.000, ±.83600000.000, ±.83800000.000, ±.84000000.000, ±.84200000.000, ±.84400000.000, ±.84600000.000, ±.84800000.000, ±.85000000.000, ±.85200000.000, ±.85400000.000, ±.85600000.000, ±.85800000.000, ±.86000000.000, ±.86200000.000, ±.86400000.000, ±.86600000.000, ±.86800000.000, ±.87000000.000, ±.87200000.000, ±.87400000.000, ±.87600000.000, ±.87800000.000, ±.88000000.000, ±.88200000.000, ±.88400000.000, ±.88600000.000, ±.88800000.000, ±.89000000.000, ±.89200000.000, ±.89400000.000, ±.89600000.000, ±.89800000.000, ±.90000000.000, ±.90200000.000, ±.90400000.000, ±.90600000.000, ±.90800000.000, ±.91000000.000, ±.91200000.000, ±.91400000.000, ±.91600000.000, ±.91800000.000, ±.92000000.000, ±.92200000.000, ±.92400000.000, ±.92600000.000, ±.92800000.000, ±.93000000.000, ±.93200000.000, ±.93400000.000, ±.93600000.000, ±.93800000.000, ±.94000000.000, ±.94200000.000, ±.94400000.000, ±.94600000.000, ±.94800000.000, ±.95000000.000, ±.95200000.000, ±.95400000.000, ±.95600000.000, ±.95800000.000, ±.96000000.000, ±.96200000.000, ±.96400000.000, ±.96600000.000, ±.96800000.000, ±.97000000.000, ±.97200000.000, ±.97400000.000, ±.97600000.000, ±.97800000.000, ±.98000000.000, ±.98200000.000, ±.98400000.000, ±.98600000.000, ±.98800000.000, ±.99000000.000, ±.99200000.000, ±.99400000.000, ±.99600000.000, ±.99800000.000, ±.100000000.000, ±.100200000.000, ±.100400000.000, ±.100600000.000, ±.100800000.000, ±.101000000.000, ±.101200000.000, ±.101400000.000, ±.101600000.000, ±.101800000.000, ±.102000000.000, ±.102200000.000, ±.102400000.000, ±.102600000.000, ±.102800000.000, ±.103000000.000, ±.103200000.000, ±.103400000.000, ±.103600000.000, ±.103800000.000, ±.104000000.000, ±.104200000.000, ±.104400000.000, ±.104600000.000, ±.104800000.000, ±.105000000.000, ±.105200000.000, ±.105400000.000, ±.105600000.000, ±.105800000.000, ±.106000000.000, ±.106200000.000, ±.106400000.000, ±.106600000.000, ±.106800000.000, ±.107000000.000, ±.107200000.000, ±.107400000.000, ±.107600000.000, ±.107800000.000, ±.108000000.000, ±.108200000.000, ±.108400000.000, ±.108600000.000, ±.108800000.000, ±.109000000.000, ±.109200000.000, ±.109400000.000, ±.109600000.000, ±.109800000.000, ±.110000000.000, ±.110200000.000, ±.110400000.000, ±.110600000.000, ±.110800000.000, ±.111000000.000, ±.111200000.000, ±.111400000.000, ±.111600000.000, ±.111800000.000, ±.112000000.000, ±.112200000.000, ±.112400000.000, ±.112600000.000, ±.112800000.000, ±.113000000.000, ±.113200000.000, ±.113400000.000, ±.113600000.000, ±.113800000.000, ±.114000000.000, ±.114200000.000, ±.114400000.000, ±.114600000.000, ±.114800000.000, ±.115000000.000, ±.115200000.000, ±.115400000.000, ±.115600000.000, ±.115800000.000, ±.116000000.000, ±.116200000.000, ±.116400000.000, ±.116600000.000, ±.116800000.000, ±.117000000.000, ±.117200000.000, ±.117400000.000, ±.117600000.000, ±.117800000.000, ±.118000000.000, ±.118200000.000, ±.118400000.000, ±.118600000.000, ±.118800000.000, ±.119000000.000, ±.119200000.000, ±.119400000.000, ±.119600000.000, ±.119800000.000, ±.120000000.000, ±.120200000.000, ±.120400000.000, ±.120600000.000, ±.120800000.000, ±.121000000.000, ±.121200000.000, ±.121400000.000, ±.121600000.000, ±.121800000.000, ±.122000000.000, ±.122200000.000, ±.122400000.000, ±.122600000.000, ±.122800000.000, ±.123000000.000, ±.123200000.000, ±.123400000.000, ±.123600000.000, ±.123800000.000, ±.124000000.000, ±.124200000.000, ±.124400000.000, ±.124600000.000, ±.124800000.000, ±.125000000.000, ±.125200000.000, ±.125400000.000, ±.125600000.000, ±.125800000.000, ±.126000000.000, ±.126200000.000, ±.126400000.000, ±.126600000.000, ±.126800000.000, ±.127000000.000, ±.127200000.000, ±.127400000.000, ±.127600000.000, ±.127800000.000, ±.128000000.000, ±.128200000.000, ±.128400000.000, ±.128600000.000, ±.128800000.000, ±.129000000.000, ±.129200000.000, ±.129400000.000, ±.129600000.000, ±.129800000.000, ±.130000000.000, ±.130200000.000, ±.130400000.000, ±.130600000.000, ±.130800000.000, ±.131000000.000, ±.131200000.000, ±.131400000.000, ±.131600000.000, ±.131800000.000,

| | | | | | |
|----|---------|-------------|------------|----------|------------|
| 版本 | ECO | 编制 | 日期 | 批准 | 日期 |
| D | 0025529 | J.M.RAMIREZ | 04-23-2012 | R.RASCON | 04-23-2012 |



ELECTRICAL DATA:

MODEL NO.: B42A96A01
 CUST. P/N: []
 HP: 1/6
 ROT.: CCWLE
 RPM: 1050/3 SPD
 TYPE: FE
 FRAME: 42Y
 VOLTS: 115
 PH: 1
 AMPS: 6.3
 HZ: 60
 INS.: B
 AMB.: 40°C
 DUTY: AIR OVER
 CAP.: ---
 CSA LOGO
 UL LOGO
 THERMALLY PROTECTED
 TYPE C



| | | |
|--|------------------------------|------------|
| | 11.00/13.00 [279.4/330.2] | |
| | 25.00/27.00 [635.0/685.8] | .50 [12.7] |
| | 25.00/27.00 [635.0/685.8] | .50 [12.7] |
| | 25.00/27.00 [635.0/685.8] | .50 [12.7] |
| | 25.00/27.00 [635.0/685.8] | .50 [12.7] |

| | | | | | | | |
|--------|---------------|----------|--------|---------|---------|---------|--|
| | | | | CSA | | | |
| | FILE # | CCN # | FILE # | CLASS # | | | |
| C32337 | 17.99 OZ. FT. | 0443925B | E46412 | PRGY2 | LR43341 | 4211-01 | |

| | |
|--------|--------------------|
| 形位公差 | 除A和SMITH在个别领域为客户 |
| □ 平面度 | 提供技术支持。签字A.O.S.M.H |
| — 直线度 | 未收到任何修改和 |
| ∠ 倾斜度 | 应用环境的数据, 电机的适用性 |
| ⊥ 垂直度 | 由客户自行决定。 |
| ∥ 平行度 | 英寸 0.020 毫米 0.5 |
| ○ 圆度 | 表面粗糙度 |
| ⊘ 圆柱度 | 英制尺寸 |
| △ 内圆角 | 米制尺寸显示在 [] |
| △ 面轮廓度 | |
| △ 线轮廓度 | |
| ∧ 圆跳动 | |
| ⊕ 位置度 | |
| ⊙ 同轴度 | |
| ≡ 对称度 | |

ASME Y14.5M 1994

除A和SMITH在个别领域为客户提供技术支持。签字A.O.S.M.H未收到任何修改和应用环境的数据, 电机的适用性由客户自行决定。英寸 0.020 毫米 0.5 表面粗糙度 英制尺寸 米制尺寸显示在 []

| | | |
|--|-----------|---------------------------------|
| 绘图: | S.RECKERS | 08-21-2004 |
| 批准: | G.PIAT | 09-09-2004 |
| 第三角投影 | | 图纸格式发布日期 11-11-2011 图纸格式版本 G |
| 机密: 本图纸及相关信息所有权归REGAL-BELOIT CORPORATION。未经REGAL-BELOIT CORPORATION书面授权, 不得泄露、复制或传播作其他用途。一版权所有 | | |

| | |
|----|----------------------------|
| | |
| 名称 | MODEL-RFHP-42FR OUTLINE |
| 图幅 | C |
| 图号 | 11674-037 |
| 比例 | NONE |
| 页号 | 1 |