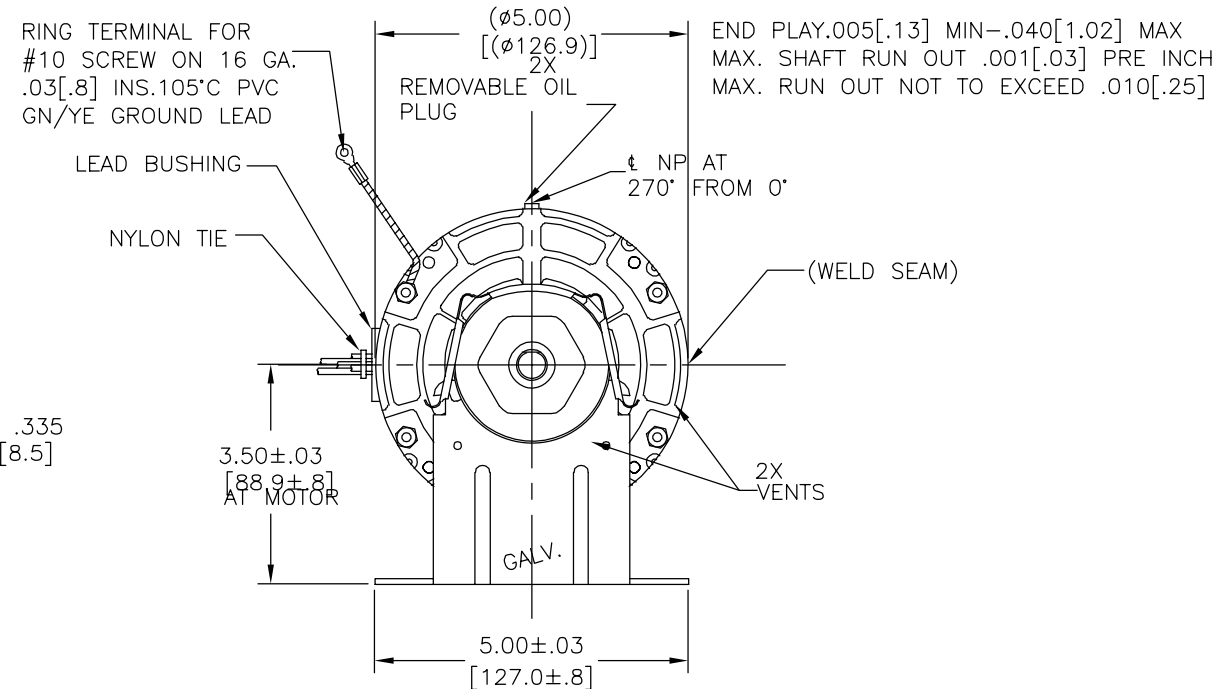
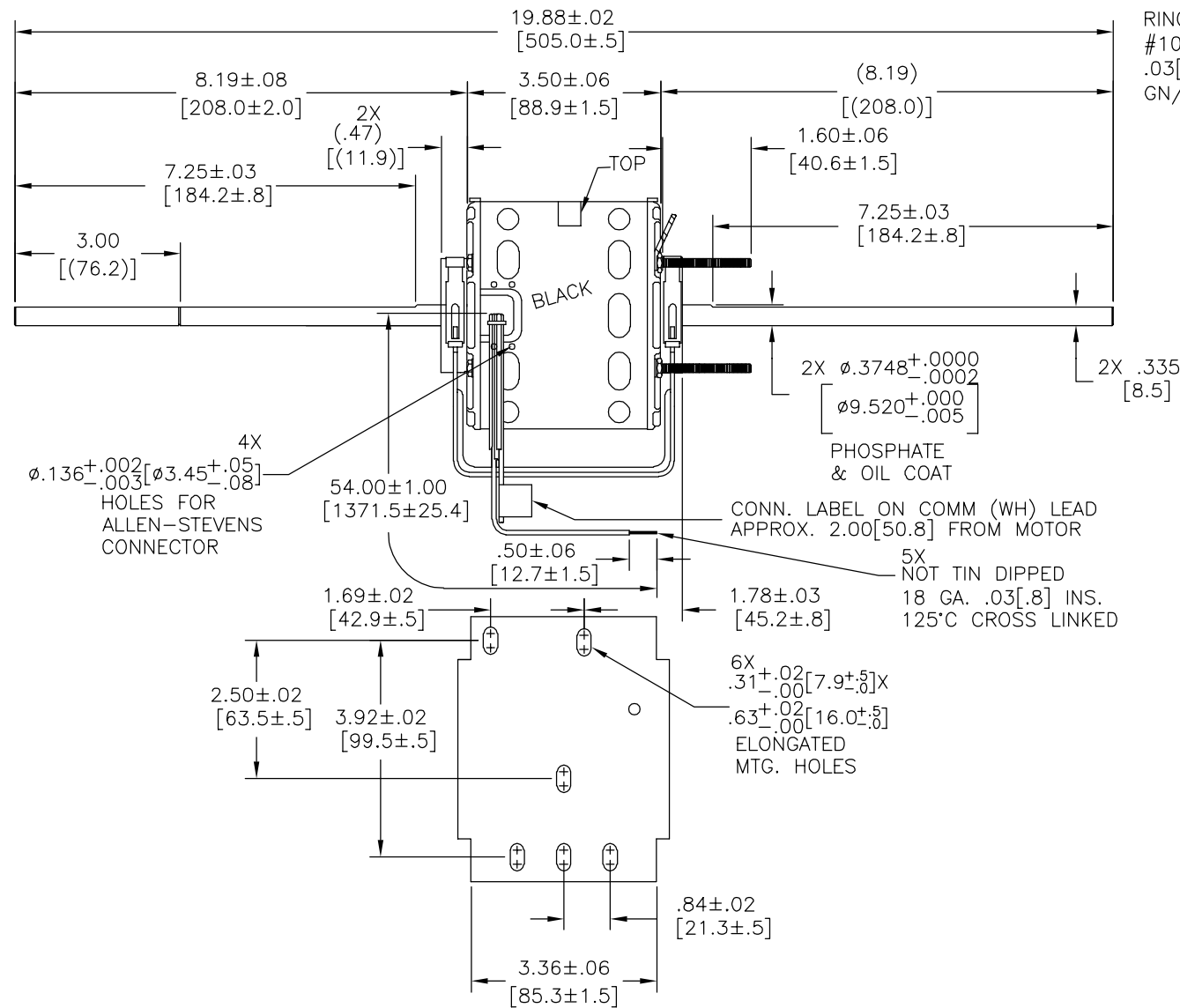


REV	ECO	REV BY	DATE	APPD	DATE
J	0029021	E.SINECIO	10-18-2012	G.ALVIDREZ	10-18-2012

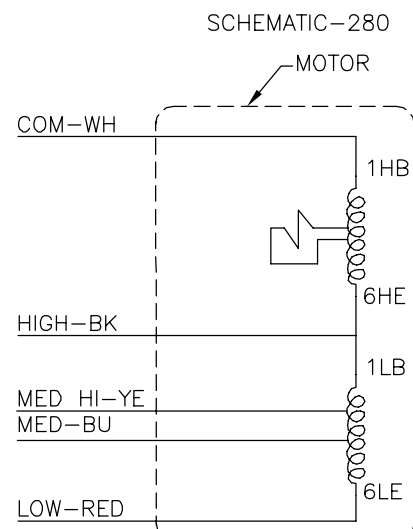
CUSTOMER IS SOLELY RESPONSIBLE FOR MOTOR PERFORMANCE AND SUITABILITY IN APPLICATIONS FOR CUSTOMER'S USES.



NOTE:
1. DISTRIBUTION PART NUMBER: 9674
GRAINGER PART NUMBER: 4UU47

ELECTRICALLY PER
SAMPLE S-3798C
CURVE #32343

SEE NOTE 1



ROT.: CWLE

NAMEPLATE DATA:



TIPP CITY, OHIO
THERMALLY PROTECTED

SER. DATE & P0# PLT LTR MOD DA3E293K# [] [] [] []
VOLTS 115 HZ 50/60 AMPS 2.4
RPM1050 SP PH CAP
INS CL A AMB 40C HP CONT AO }-ROTATION->
BRG SLV BK-HI 2.4A 1/15HP YE-MED HI 1.6A 1/20HP
BU-MED 1.1A 1/30HP ASSEMBLED IN MEXICO
RD-LOW .80A 1/50HP WH-COM

CONN. LABEL
63T7433-256

GEOMETRIC CHARACTERISTICS & SYMBOLS

- FLATNESS
- STRAIGHTNESS
- < ANGLARITY
- ⊥ PERPENDICULARITY (SQUARENESS)
- // PARALLELISM
- ROUNDNESS (CIRCULARITY)
- ∅ CYLINDRICITY
- △ PROFILE OF ANY SURFACE
- ∩ PROFILE OF ANY LINE
- ↗ RUNOUT
- ⊕ TRUE POSITION
- ◎ CONCENTRICITY
- = SYMMETRY

ASME Y14.5M 1994

UNLESS OTHERWISE SPECIFIED DIM. TOLERANCES ARE AS FOLLOWS:

- INCH X XX XXX XXXX
- mm ±0.5 ±0.13 ±0.013
- ANG. ±.50 DEG
- REMOVE BURRS & BREAK SHARP EDGES:
- INCH .003-.015 mm 0.1-0.4
- CORNER FILLETS TO:
- INCH .020 mm 0.5
- MACHINE SURFACES:
- INCH 125 mm 3.2

METRIC DIMS. SHOWN IN [BRACKETS]

DR BY:

K.GORDO

09-08-2004

APPD:

THIRD ANGLE PROJECTION



EDS DATE 11-11-2011

FORMAT REV H

CONFIDENTIAL: THIS DRAWING AND ITS INFORMATION ARE THE EXCLUSIVE AND CONFIDENTIAL PROPERTY OF REGAL-BELOIT CORPORATION AND ARE NOT TO BE DISCLOSED, DUPLICATED, DISTRIBUTED OR OTHERWISE USED WITHOUT THE WRITTEN CONSENT OF REGAL-BELOIT CORPORATION. -ALL RIGHTS RESERVED.



REGAL-BELOIT CORPORATION

DESCRIPTION

MODEL-RFHP-42FR
OUTLINE

SIZE

C

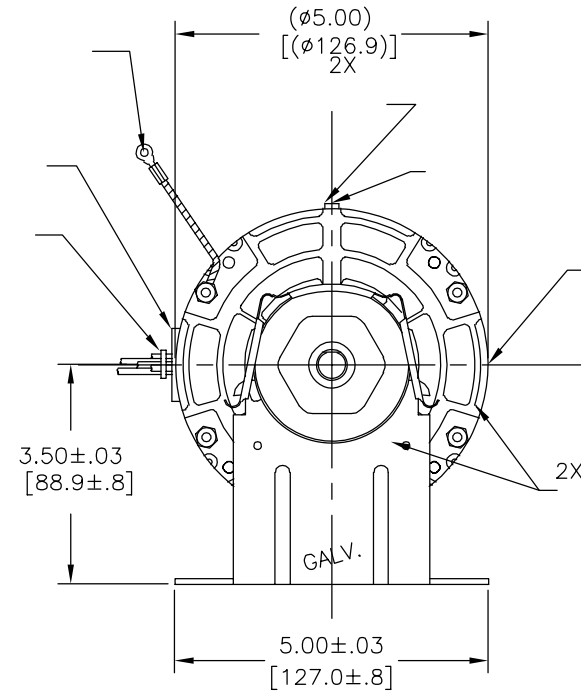
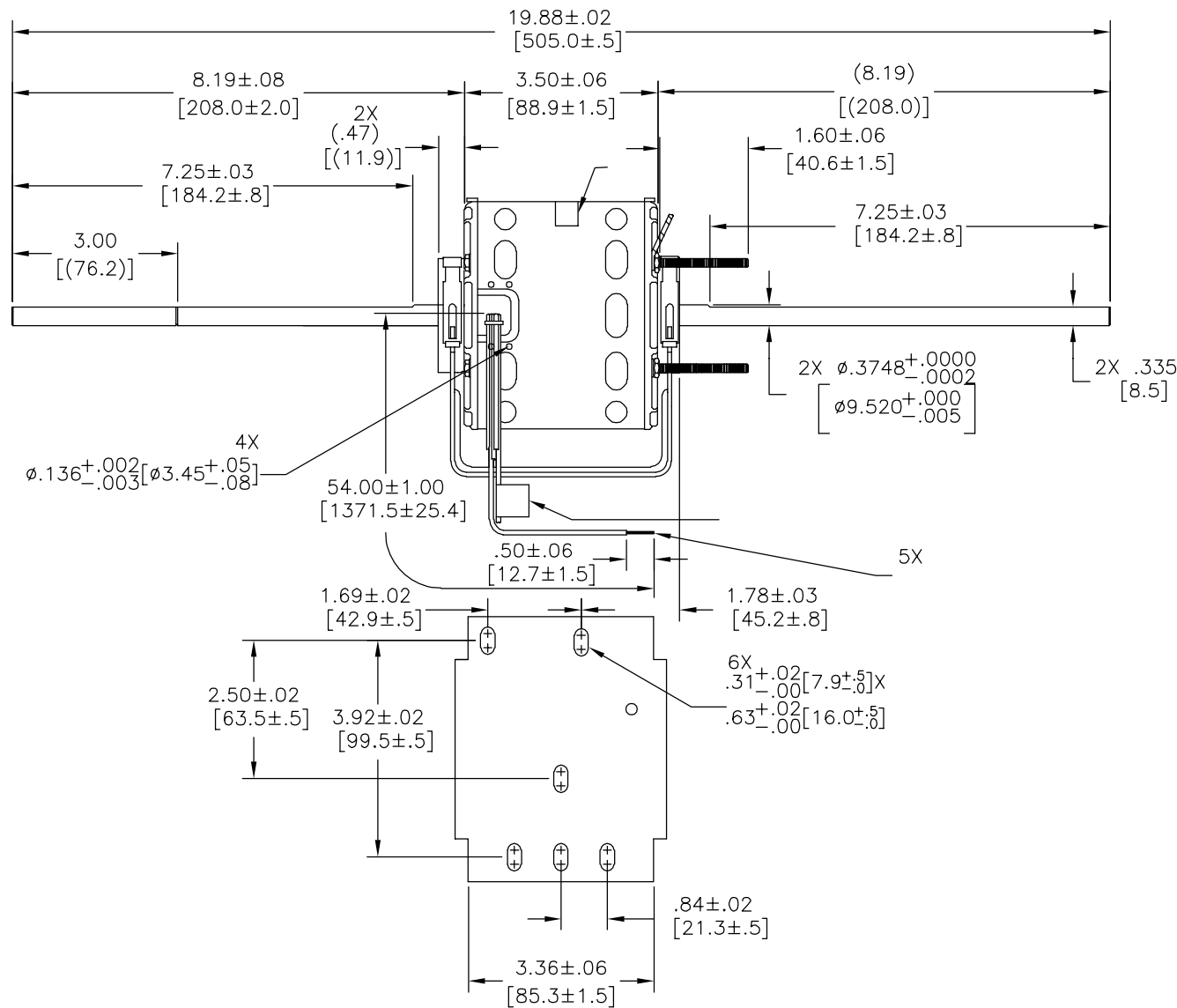
DWG NO

DA3E7293

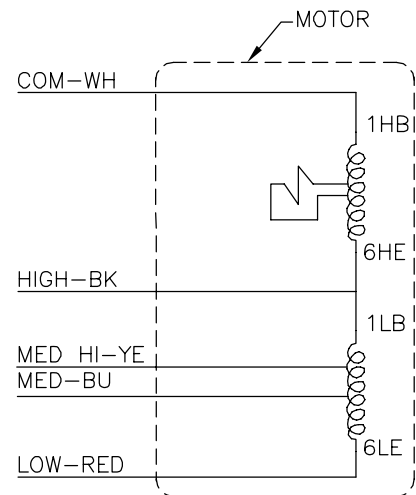
SCALE NONE

SHEET 1

REVISION:	ECO	REVISADO POR:	FECHA:	APROBADO POR:	FECHA:
J	0029021	E.SINECIO	10-18-2012	G.ALVIDREZ	10-18-2012



SCHEMATIC-280



TIPP CITY, OHIO
THERMALLY PROTECTED

SER. DATE & P0# PLT LTR MOD DA3E293K# [] [] [] []
 VOLTS 115 HZ 50/60 AMPS 2.4
 RPM1050 SP PH CAP
 INS CL A AMB 40C HP CONT AO }-ROTATION->
 BRG SLV BK-HI 2.4A 1/15HP YE-MED HI 1.6A 1/20HP
 BU-MED 1.1A 1/30HP ASSEMBLED IN MEXICO
 RD-LOW .80A 1/50HP WH-COM

63T7433-256

SEE NOTE 1

CARACTERISTICAS DE GEOMETRIA Y SIMBOLOS

- PLANICIDAD
- RECTITUD
- ∠ ANGULARIDAD
- ⊥ PERPENDICULARIDAD (A ESQUADRA)
- // PARALELISMO
- REDONDEZ (CIRCULARIDAD)
- ⊘ CILINDRICIDAD
- △ PERFIL DE CUALQUIER SUPERFICIE
- ∧ PERFIL DE CUALQUIER LINEA
- ∩ VARIACION
- ⊕ POSICION REAL
- ◎ CONCENTRICIDAD
- = SIMETRIA

A MENOS QUE SE ESPECIFIQUE DE OTRA MANERA, LAS TOLERANCIAS DE LAS DIMS; SON LAS SIGUIENTES:

- PULG ±.1 ±.02 ±.005 ±.0005
- mm ±0.5 ±0.13 ±0.013
- ANG. ± 50 GRADOS
- ELIMINAR REBABAS Y ORILLAS FILOSAS DEL BORDE.
- PULG .003-.015 mm 0.1-0.4
- FILETEAR ESQUINA: PULG .020 mm 0.5
- MAQUINAR SUPERFICIES
- PULG 125 mm 3.2
- DIMS METRICAS MOSTRADAS [PARENTESIS]

DIBUJADO POR: K.GORDO 09-08-2004

APROBADO POR:

TERCER ANGULO DE PROYECCION

FECHA EDS: 11-11-2011

REV. FORMATO: H

CONFIDENCIAL: ESTE DIBUJO Y SU INFORMACION SON PROPIEDAD DE USO EXCLUSIVO Y CONFIDENCIAL DE REGAL-BELOIT CORPORATION. Y NO DEBERAN SER REVELADOS, DUPLICADOS, DISTRIBUIDOS O USARSE DE OTRA MANERA SIN EL CONSENTIMIENTO ESCRITO DE REGAL-BELOIT CORPORATION. -TODOS LOS DERECHOS RESERVADOS.



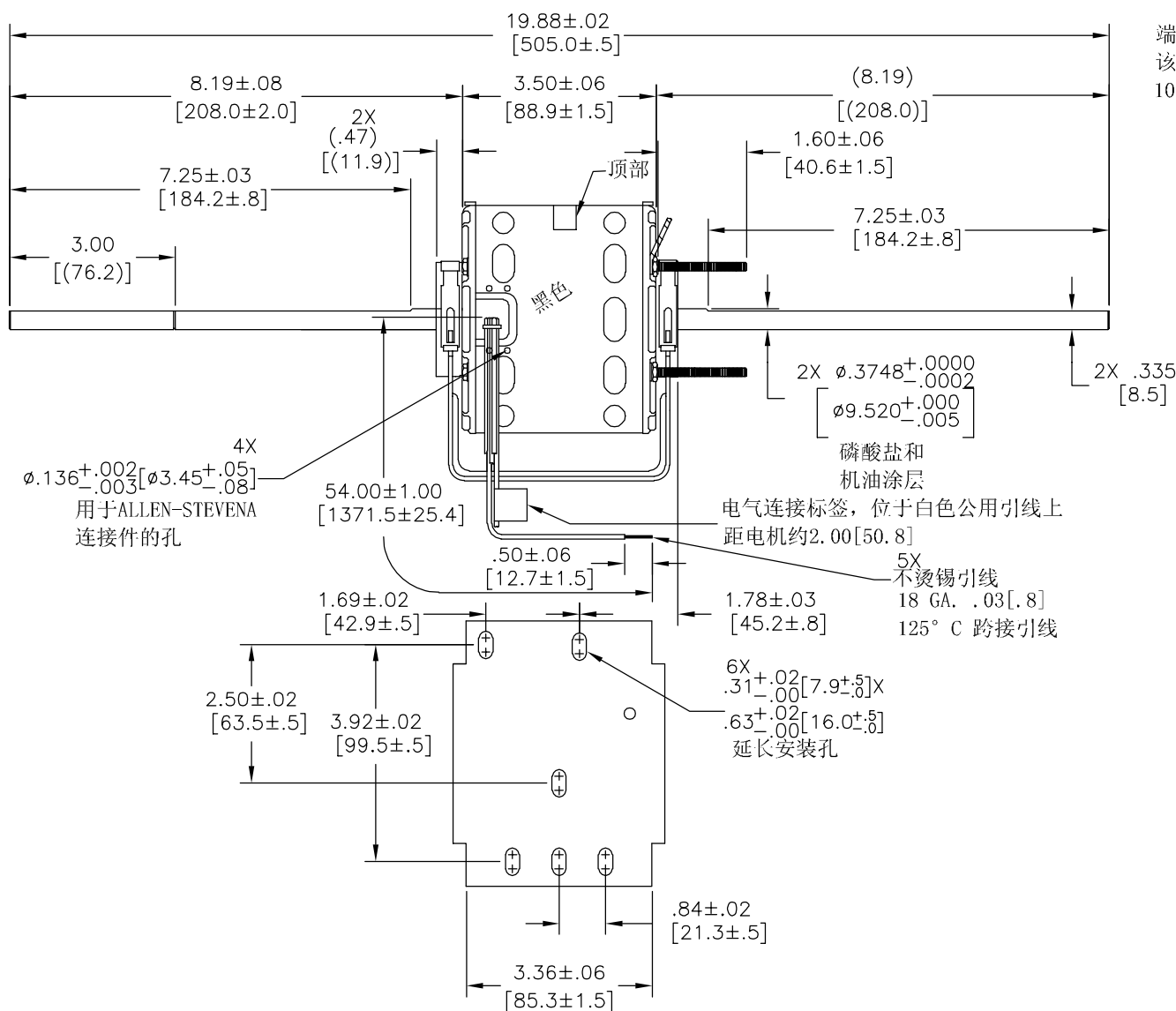
DESCRIPCION: MODEL-RFHP-42FR OUTLINE

TAMAÑO: C NUMERO DE DIBUJO: DA3E7293

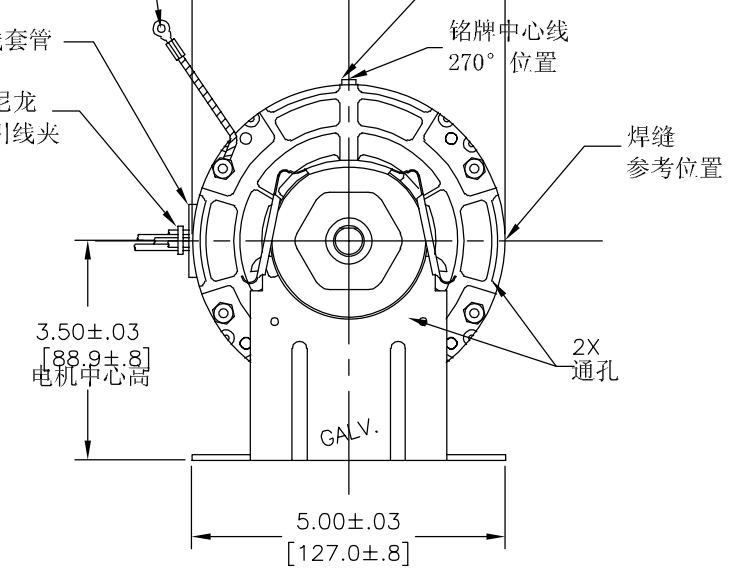
ESCALA: NONE HOJA: 1

版本	ECO	编制	日期	批准	日期
J	0029021	E.SINECIO	10-18-2012	G.ALVIDREZ	10-18-2012

客户对电机性能责任自负，且应根据使用条件选择合适的电机。

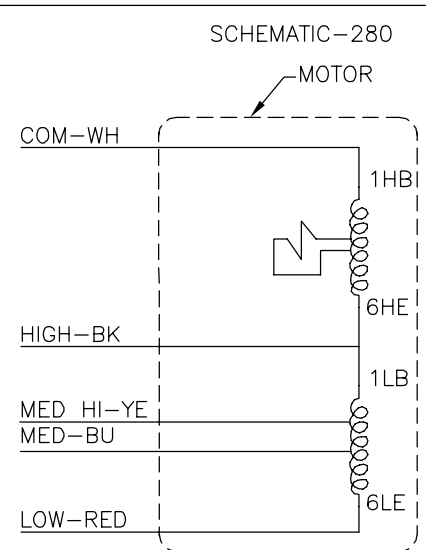


端部窜动量为.005 [.13]-.040 [1.02]
 最大轴跳动为.001 [.03]/1.00 [25.4]
 最大跳动量不超过.010 [.25]



技术要求:
 1. 分销零件号: 9674
 客户零件号: 4UU47

电气参数依照
 样机: S-3789C
 性能曲线编号32343



转向: 引线端逆时针

铭牌数据:

TIPP CITY, OHIO
 THERMALLY PROTECTED

SER. DATE & PO# PLT LTR MOD DA3E293K# [] [] [] [] [] []
 VOLTS 115 HZ 50/60 AMPS 2.4
 RPM1050 SP PPH CAP
 INS CL A AMB 40C HP CONT AO -ROTATION->
 BRG SLV BK-HI 2.4A 1/15HP YE-MED HI 1.6A 1/20HP
 BU-MED 1.1A 1/30HP ASSEMBLED IN MEXICO
 RD-LOW .80A 1/50HP WH-COM

电气连接标签
 63T7433-256

- 形位公差
- 平面度
 - 直线度
 - ∠ 倾斜度
 - ⊥ 垂直度
 - ∥ 平行度
 - 圆度
 - ⊘ 圆柱度
 - ⊜ 面轮廓度
 - ⊞ 线轮廓度
 - ⊖ 圆跳动
 - ⊕ 位置度
 - ⊙ 同轴度
 - ⊞ 对称度

除另有注明
 尺寸公差如下:

英寸 X XX XXX XXXX
 ±.1 ±.02 ±.005 ±.0005
 毫米 ±0.5 ±0.13 ±0.013

角度 ±.50 度
 清理毛刺和尖棱
 英寸 .003-.015 毫米 0.1-0.4

内圆角
 英寸 .020 毫米 0.5

表面粗糙度
 英制 125 米制 3.2

米制尺寸显示在L

绘图: K.GORDO 09-08-2004

批准: []

第三角投影

图纸格式发布日期 11-11-2011
 图纸格式版本 H

机密: 本图纸及相关信息所有权归REGAL-BELOIT CORPORATION
 未经REGAL-BELOIT CORPORATION书面授权, 不得泄露、
 复制、传播或作其他用途。—版权所有

REGAL REGAL-BELOIT CORPORATION

名称: MODEL-RFHP-42FR
 OUTLINE

图幅: C 图号: DA3E7293

比例: NONE 页号: 1