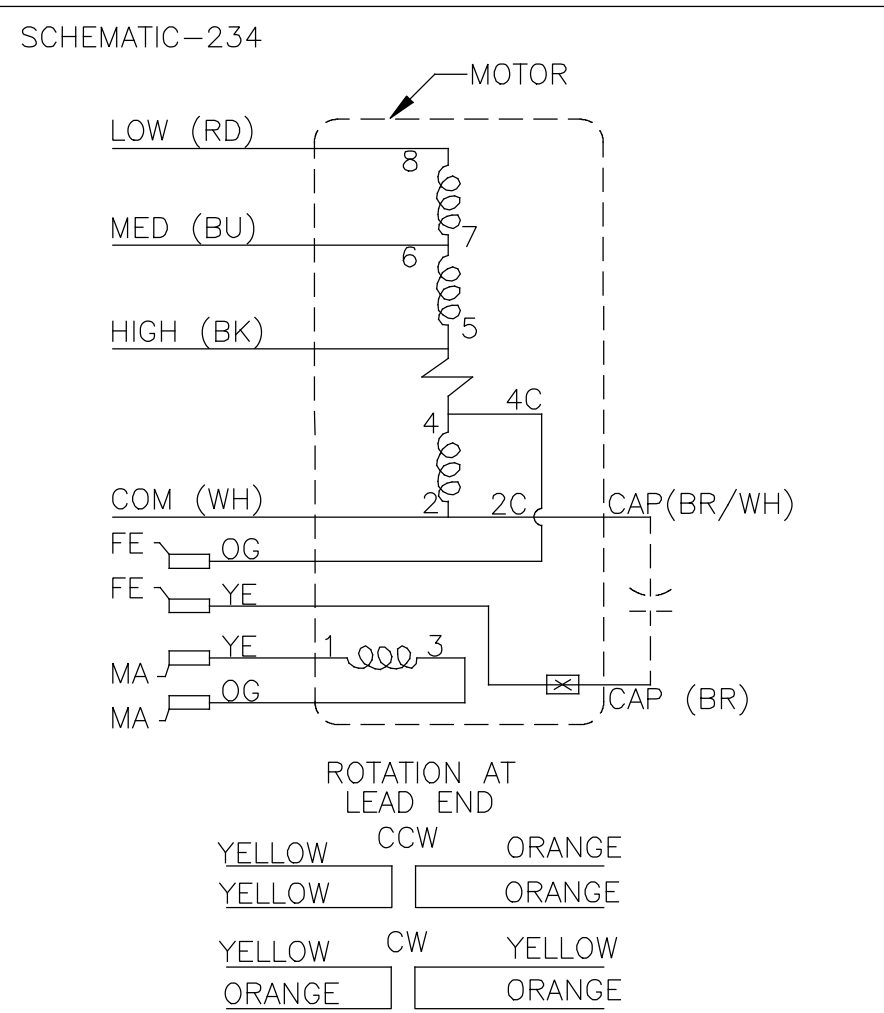
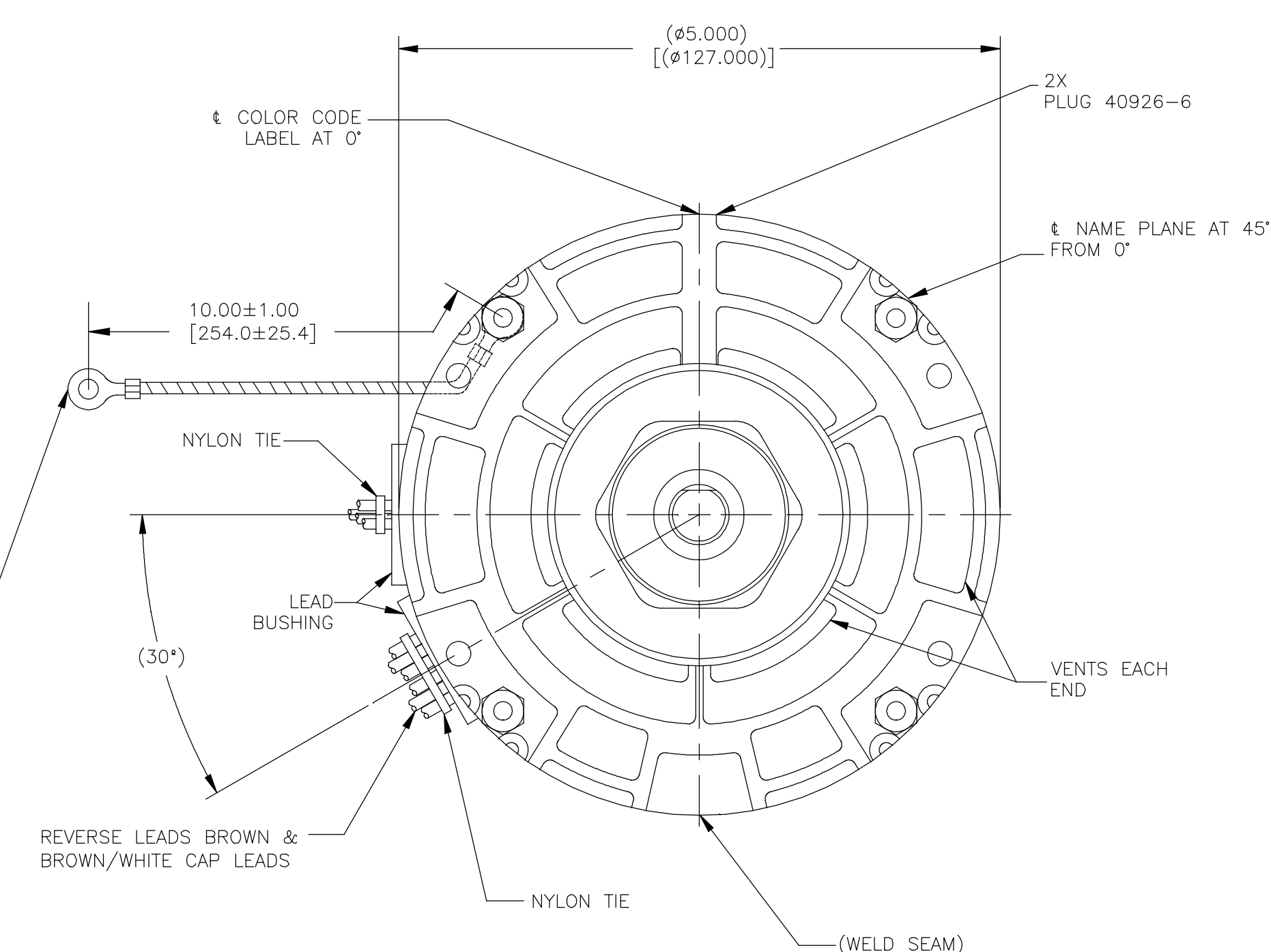
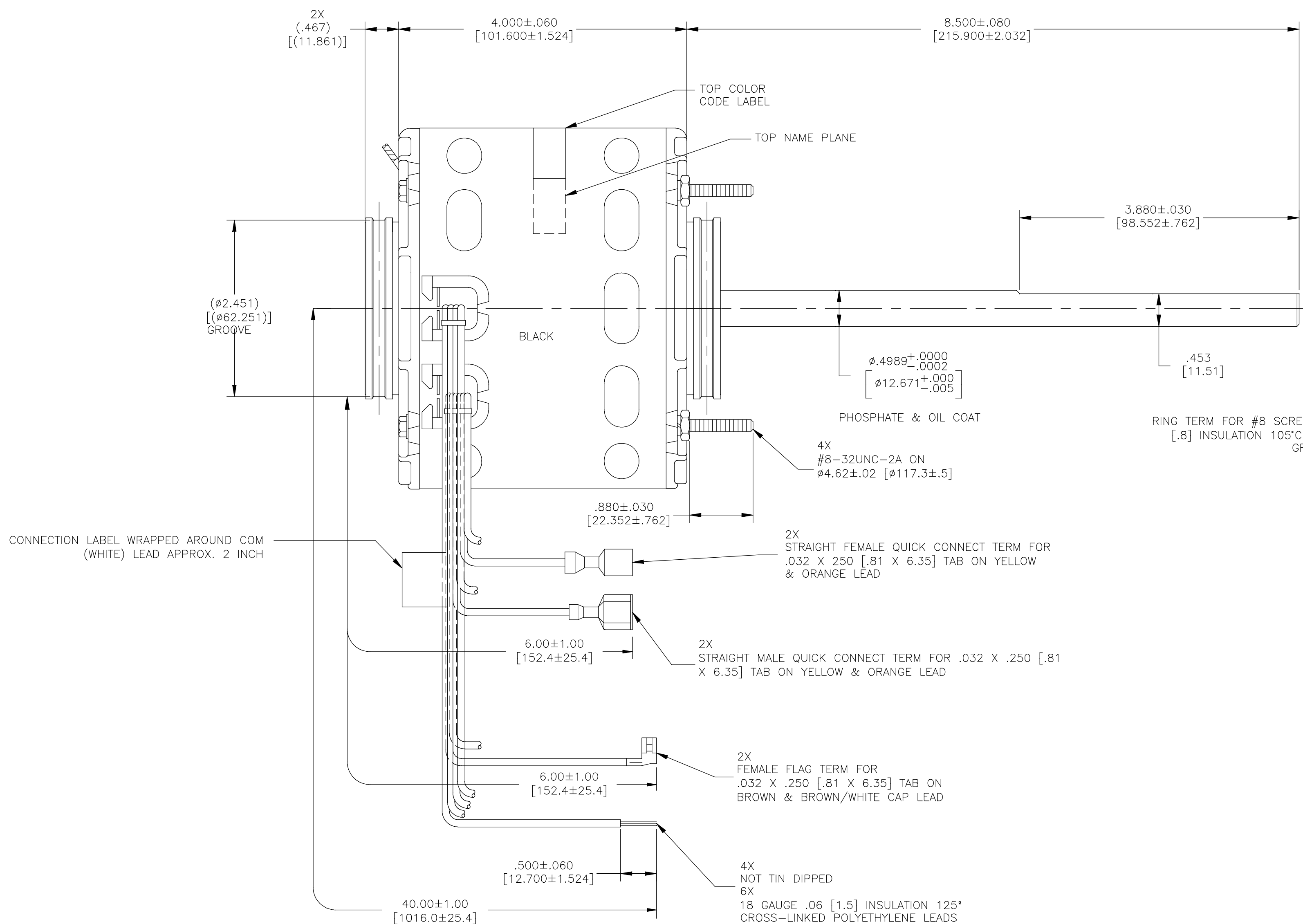


CUSTOMER IS SOLELY RESPONSIBLE FOR MOTOR PERFORMANCE AND SUITABILITY IN APPLICATIONS FOR CUSTOMER'S USES.

END PLAY .005 [.13] MIN - .040 [1.02] MAX
 MAXIMUM SHAFT RUNOUT .001 [.03] PER INCH
 MAXIMUM RUN OUT NOT TO EXCEED .010 [.25]



ELECTRICALLY PER SAMPLE S9743E EXCEPT CONSTRUCTION CURVE #32265

COLOR CODE 63T7452-6
 BK HI .6A 1/30HP
 BU MED .2A 1/150HP
 RD LO .2A 1/200HP
 WH COM

NOTES:
 1. DISTRIBUTION: CUST. P/N: 9643
 GRAINGER: CUST. P/N: 4MB14

ROT: REVERSIBLE REVERSIBLE

NAMEPLATE DATA:

Century Tipp City, OH THERMALLY PROTECTED **RA** **SP**

SER. DATE & PO# PLT LTR MOD DE3D480N'-----
 VOLTS 115 HZ 60 AMPS
 RPM 1100 SP PH CAP 5MFD 370VAC
 INS CL B AMB 40°C HP ROT. REV
 BRG SLV ASSEMBLED IN MEXICO

DRAWING REVISION	REVISION BY	DATE	TOLERANCES UNLESS OTHERWISE SPECIFIED	DRAWN BY:
J	CADDIE ZHOU	11-16-2018	DEC. INCH mm ANGLE	
ECO-0141715	MARIO DURAN	11-16-2018	X ±0.1 ±2.5 ±0.5°	DATE:
ECO DESCRIPTION			XX ±0.02 ±0.51	APPROVED BY:
@ZONE AS ADD REVERSE CONNECT			XXX ±0.005 ±0.127	DATE:
			XXXX ±0.0005 ±0.0127	PROCESS/FINISH:
			REMOVE BURRS & BREAK SHARP EDGES .003/.015 [0.076/.381]	MATERIAL:
			CORNER FILLETS .02 [511]	SIZE [DWS NO]
			MACHINED SURFACES .001 INCH / .025 mm SHOWN IN [BRACKETS]	THIRD ANGLE PROJECTION
				SHEET 1

SEE NOTE 1

CONNECTION LABEL 63T7433-18