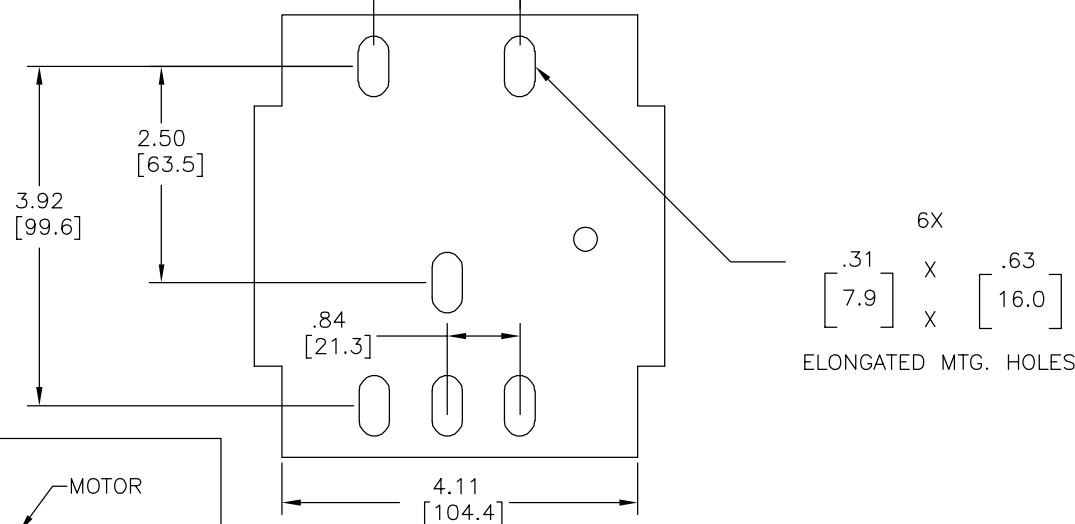
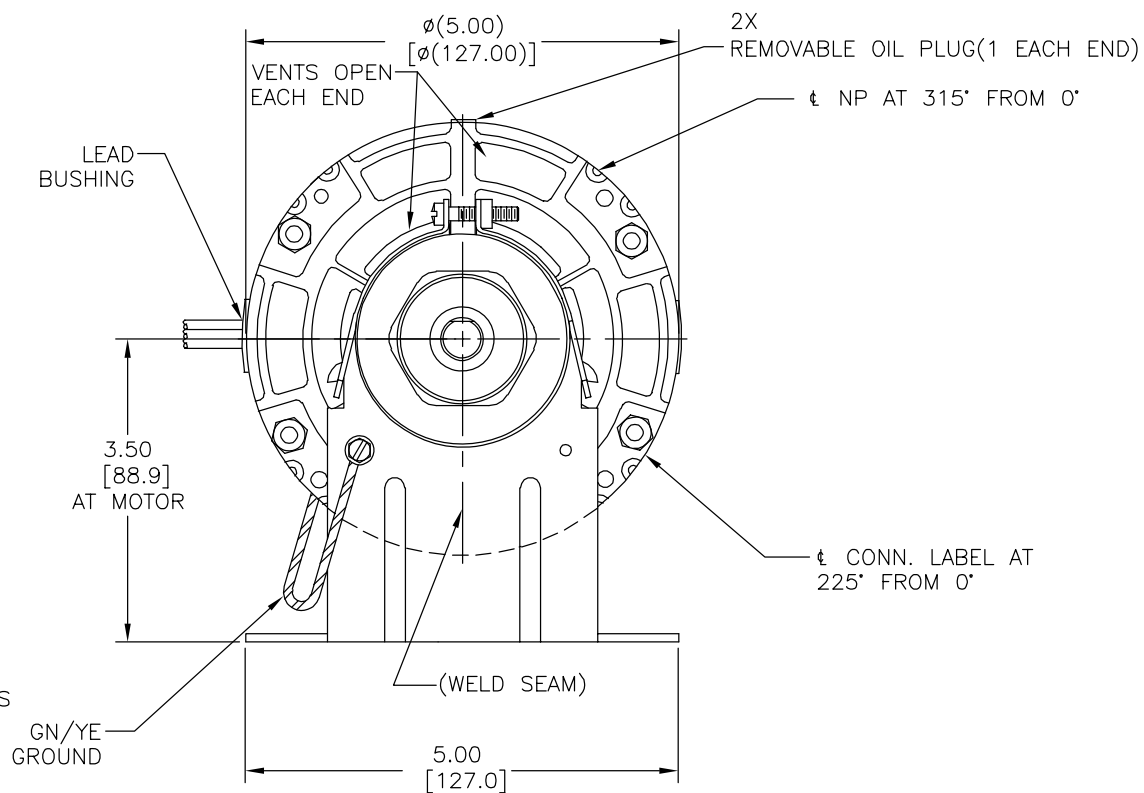
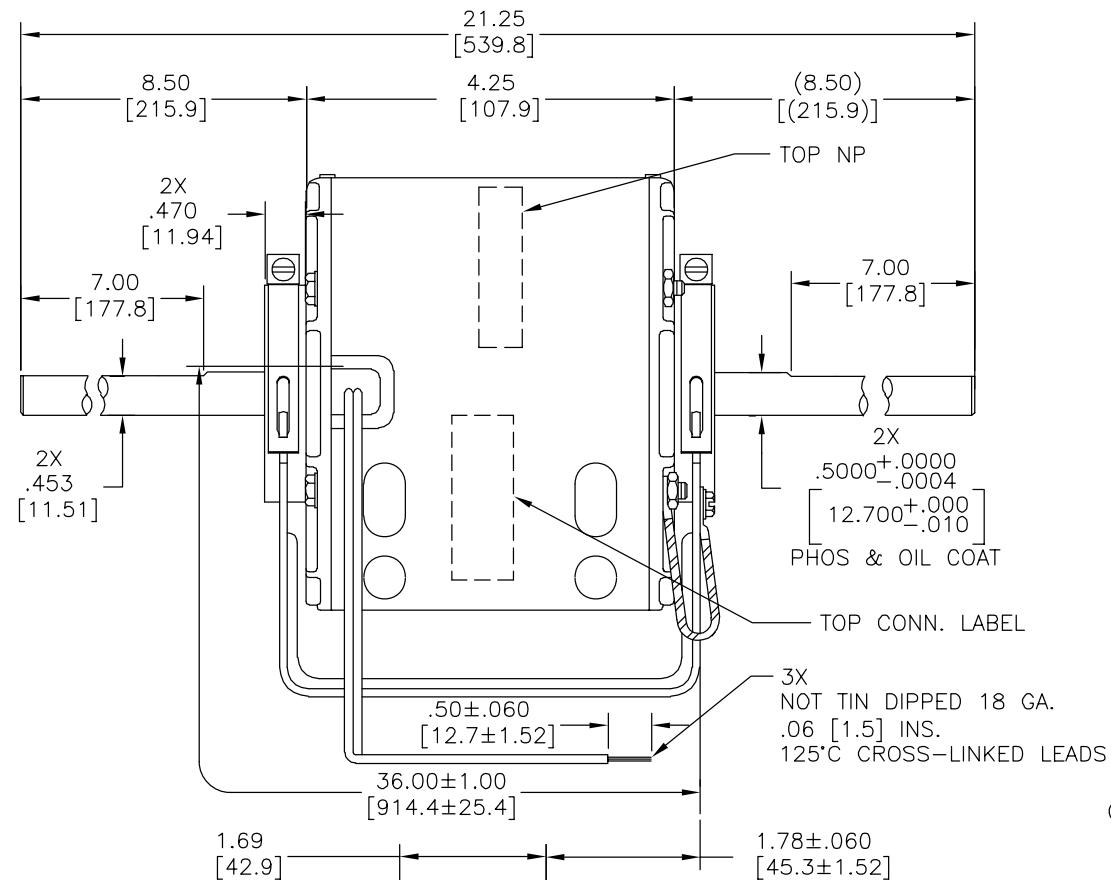


CUSTOMER IS SOLELY RESPONSIBLE FOR MOTOR PERFORMANCE AND SUITABILITY IN APPLICATIONS FOR CUSTOMER'S USES

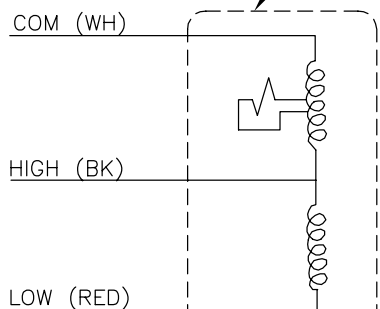
ENDPLAY .005[.13] MIN - .040[1.02] MAX
 MAXIMUM SHAFT RUN OUT .001[.03] PER INCH
 MAXIMUM RUN OUT NOT TO EXCEED .0075 [.191]



CONN. LABEL
63T7432-251

SEE NOTE 1

SCHEMATIC-313



ELECTRICALLY PER SAMPLE 0442826B
CURVE #32248

NOTE:

- DISTRIBUTION PART NUMBER: 9636.
GRAINGER PART NUMBER: 4LY95.

ROT.: - CCWLE

NAMEPLATE DATA:



TIPP CITY, OHIO
THERMALLY PROTECTED

SER. DATE & P0# PLT LTR MOD DA3J7091N# []
 VOLTS 115 HZ 60 AMPS 5.8
 RPM 1050 SP2 PH1 CAP
 INS A CL AMB 40 °C 1/6 HP
 BRG SLV

← ROTATION →
ASSEMBLED IN MEXICO

DRAWING REVISION	REVISION BY	DATE
A	F. NAVARRO	09-23-2014
ECO	APPROVED BY	DATE
0057615	G. ALVIDREZ	09-23-2014
ECO DESCRIPTION		
SEE ECO		

COPYRIGHT REGAL BELOIT AMERICA, INC. ALL RIGHTS RESERVED.
 PROPRIETARY AND CONFIDENTIAL INFORMATION - THIS DOCUMENT IS THE PROPERTY OF
 REGAL BELOIT AMERICA, INC. (OWNER) AND CONTAINS OWNER'S PROPRIETARY
 INFORMATION. ANY PERSON, CORPORATION OR OTHER FIRM RECEIVING IT IS DEEMED,
 BY RECEIVING IT, TO AGREE THAT IT, AND/OR ANY PART OF IT, SHALL NOT BE DISCLOSED
 TO ANY PERSON, CORPORATION OR OTHER ENTITY, DUPLICATED, AND/OR USED, EXCEPT
 AS EXPRESSLY APPROVED IN WRITING IN ADVANCE BY OWNER. THIS DOCUMENT SHALL
 BE RETURNED TO OWNER UPON REQUEST. IT MAY BE SUBJECT TO CERTAIN
 RESTRICTIONS UNDER APPLICABLE EXPORT CONTROL LAWS AND REGULATIONS.

DRAWN BY:
KGORDO
DATE:
07-20-2004
APPROVED BY:
GPIATT
DATE:

REGAL Regal Beloit America, Inc.

MODEL-RFHP-42FR
OUTLINE

REFERENCE MATERIAL PROCESS/FINISH
 THIRD ANGLE PROJECTION SIZE DWG NO 9636 SHEET 1