

4

3

2

1

REV	ECO	REV BY	DATE	APPD	DATE
H	0025529	J.M.RAMIREZ	04-24-2012	R.RASCON	04-24-2012

GENERAL INFORMATION:

SHAFT RUNOUT: .001 [.03] T.I.R. PER INCH LENGTH OF EXTENSION

END PLAY: .010 TO .063 [.25 TO 1.60]

BEARINGS: SLEEVE

MOUNTING POSITION: ALL ANGLE

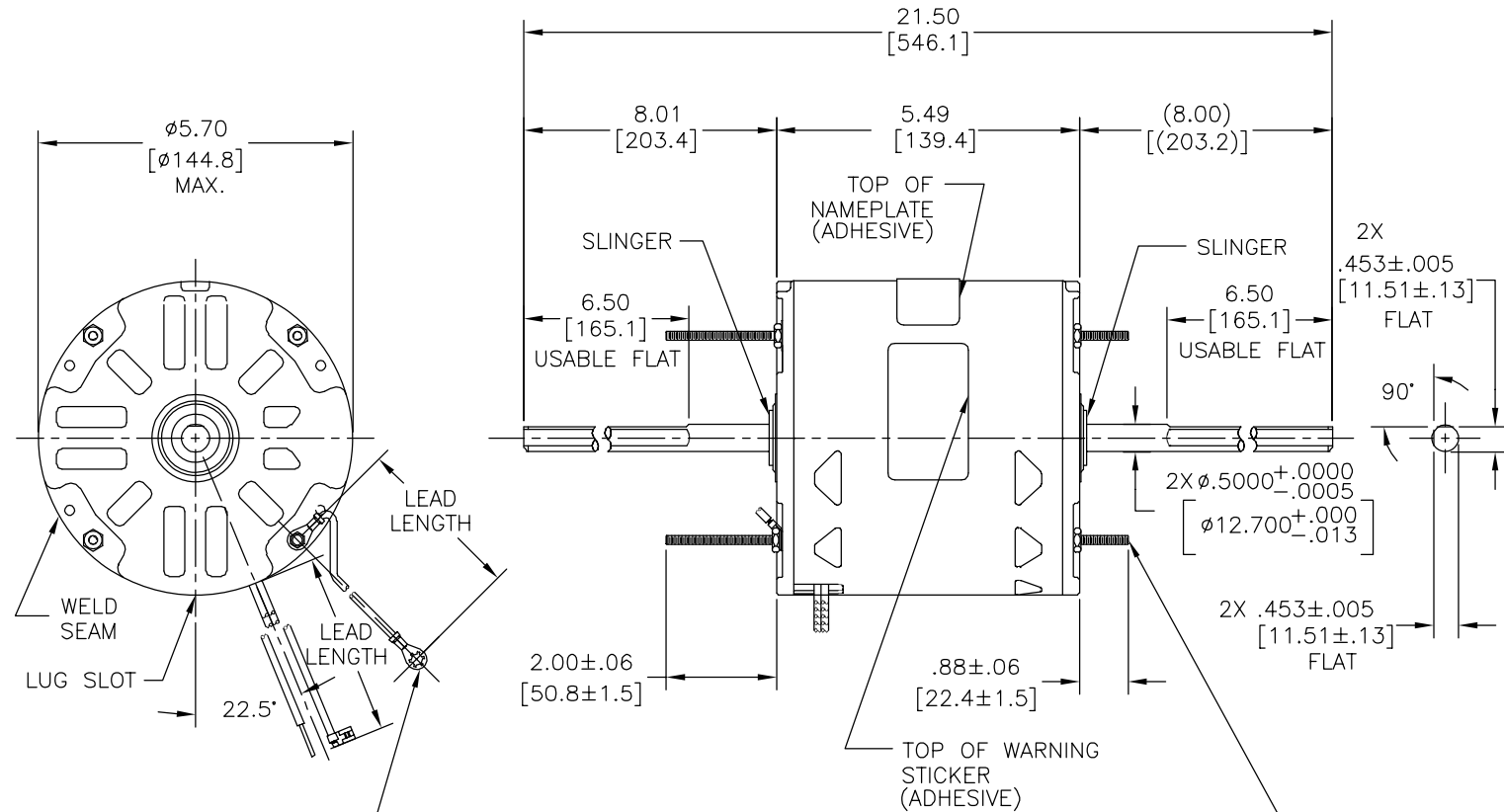
ELECTRICAL DATA:

OVERLOAD PROTECTOR: AUTOMATIC RESET (T.I. 7AM 036)

LEADS: NO. 18 GA., .03 [.8] THK. 125°C INSUL.

GROUND LEAD: NO. 16 GA., .03 [.8] THK. (GREEN/YELLOW) INSUL.

CCWLE  
ROT.



GROUND LEAD(TERMINAL AT MOTOR MUST NOT PROTRUDE BEYOND MOTOR O.D.)

4X #8-32 THD'S. EQUALLY SPACED ON A  $\phi 5.147$  [130.73] B.C. (BOTH ENDS)

GRN/YEL(GRD)	11.0/13.0 [279]/[330]	#10 EYELET
BROWN	37.0/39.0 [940]/[991]	.25[6.4] FLAG
BROWN/WHITE	37.0/39.0 [940]/[991]	.25[6.4] FLAG
WHITE	37.0/39.0 [940]/[991]	.50[12.7] SKIN
BLACK	37.0/39.0 [940]/[991]	.50[12.7] SKIN
BLUE	37.0/39.0 [940]/[991]	.50[12.7] SKIN
RED	37.0/39.0 [940]/[991]	.50[12.7] SKIN
COLOR	LENGTH	TERMINAL OR STRIP LENGTH

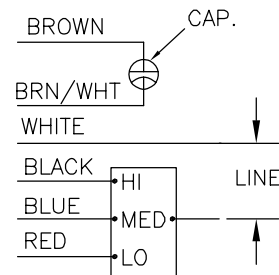
MAIN FRAME - OLE	SEMI-ENCLOSED
END FRAME - OLE	OPEN
MAIN FRAME - LE	SEMI-ENCLOSED
END FRAME - LE	OPEN

CUSTOMER	DISTRIBUTION SERVICES
----------	-----------------------

NAMEPLATE DATA:

EXTERNAL CONNECTION DIAGRAM

MODEL NO.: F48Y90A01  
CUST. P/N: 9600A  
HP: 3/4,1/2,1/3  
ROT.: CCWLE  
RPM: 1075  
TYPE: UF  
FRAME: 48Y  
VOLTS: 115  
PH: 1  
AMPS: 12.6,8.8,6.6  
HZ: 60  
INS.: B  
AMB.: 40°C  
DUTY: AIR OVER  
CAP.: 10MFD/370V  
ENCL: SEMI-ENCL  
UL LOGO  
CSA LOGO  
THERMALLY PROTECTED



614131-296

PERFORMANCE CURVE NO.	TORQUE @ 1075 RPM (25°C)	APPROVED SAMPLE	UL COMPONENT FILE #	CCN#	CSA FILE #	CLASS#
C32663	67.5 OZ. FT.	0603158A	E46412	PRGY2	LR43341	4211-01

GEOMETRIC CHARACTERISTICS & SYMBOLS  
 □ FLATNESS  
 - STRAIGHTNESS  
 < ANGLARITY  
 ⊥ PERPENDICULARITY (SQUARENESS)  
 // PARALLELISM  
 ○ ROUNDNESS (CIRCULARITY)  
 ⌀ CYLINDRICITY  
 △ PROFILE OF ANY SURFACE  
 ▽ PROFILE OF ANY LINE  
 ↗ RUNOUT  
 ⊕ TRUE POSITION  
 ⊙ CONCENTRICITY  
 = SYMMETRY  
 ASME Y14.5M 1994

REGAL-BELOIT CORPORATION (RBC) PROVIDES TECHNICAL ASSISTANCE TO OUR CUSTOMERS IN SEVERAL AREAS. SINCE RBC DOES NOT RECEIVE ALL DATA CONCERNING THE USE AND APPLICATION OF THE MOTOR, THE SUITABILITY OF THE MOTOR FOR THE APPLICATION MUST BE DETERMINED BY THE CUSTOMER.

DIMENSIONS WITHOUT TOLERANCES ARE FOR REFERENCE ONLY.

DR BY: MEIYU.HE 03-09-2007

APPD:

THIRD ANGLE PROJECTION

EDS DATE 11-11-2011  
FORMAT REV G

CONFIDENTIAL: THIS DRAWING AND ITS INFORMATION ARE THE EXCLUSIVE AND CONFIDENTIAL PROPERTY OF REGAL-BELOIT CORPORATION AND ARE NOT TO BE DISCLOSED, DUPLICATED, DISTRIBUTED OR OTHERWISE USED WITHOUT THE WRITTEN CONSENT OF REGAL-BELOIT CORPORATION. -ALL RIGHTS RESERVED.



DESCRIPTION  
MODEL-RFHP-48FR  
OUTLINE

SIZE C DWG NO F48Y90A01

SCALE NONE SHEET 1

4

3

2

1

4

3

2

1

REVISION:	ECO	REVISADO POR:	FECHA:	APROBADO POR:	FECHA:
H	0025529	J.M.RAMIREZ	04-24-2012	R.RASCON	04-24-2012

**INFORMACION GENERAL:**

OSCILACION DE FLECHA: .001 [.03] L.T.I. POR PLG. LONG. DE EXT.

JUEGO AXIAL: .010 A .063 [.25 A 1.60]

BALEROS: MANGA

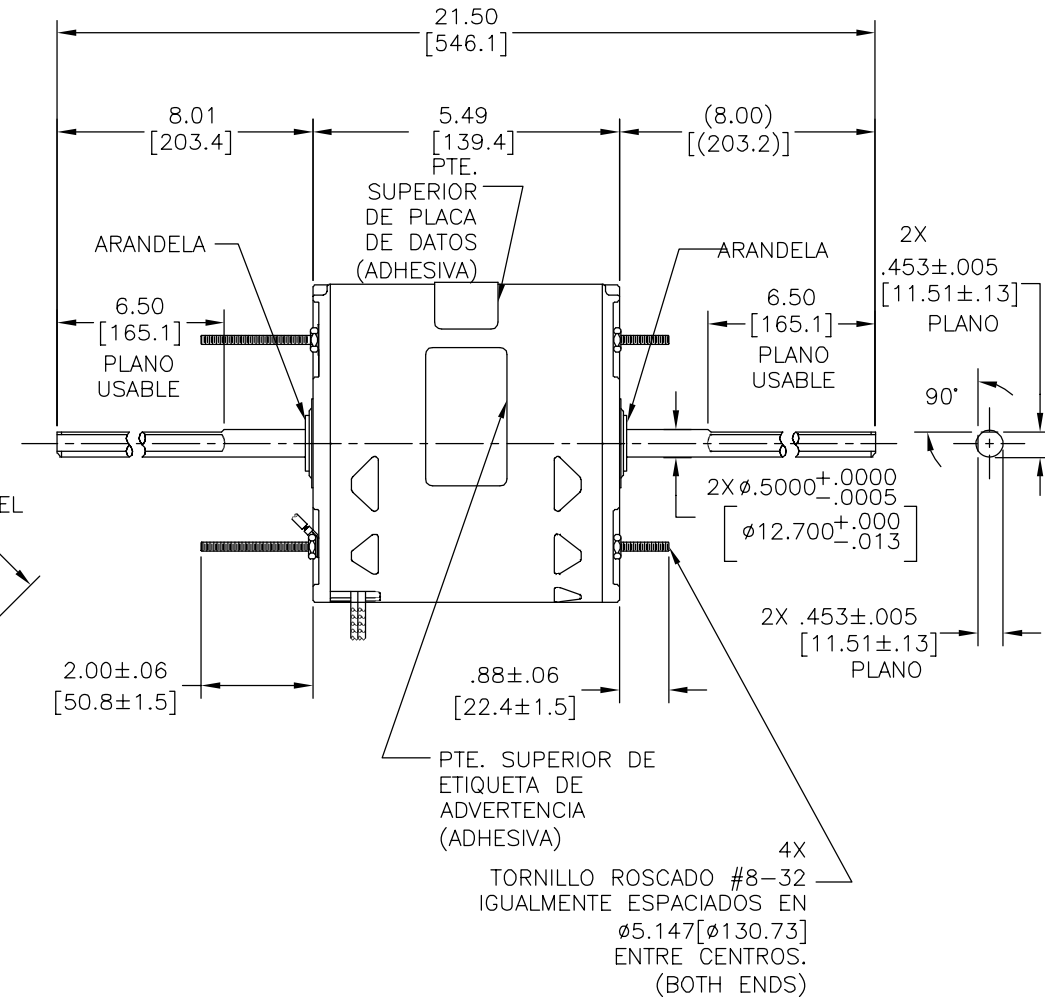
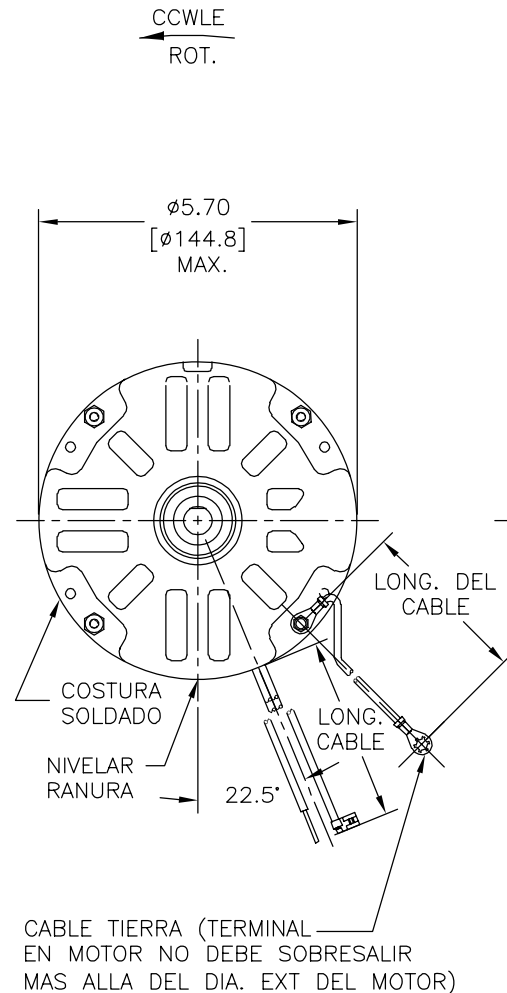
POSICION DEL MONTAJE: ALL ANGLE

**INFORMACION ELECTRICA:**

SOBRECARGA DEL PROTECTOR: REINICIO AUTOMATIC (T.I. 7AM 036)

CABLES: CALIBRE #18 , .03 [.8] ESP. PVC 125°C AISL.

CABLE DE TIERRA: CALIBRE #16, .03 [.8] ESP. (VERDE/AMAR.) AISL.



VERDE/AMAR. (TIERRA)	11.0/13.0 [279]/[330]	#10 OJAL
CAFE	37.0/39.0 [940]/[991]	.25[6.4] BANDERA
CAFE/BLANCO	37.0/39.0 [940]/[991]	.25[6.4] BANDERA
BLANCO	37.0/39.0 [940]/[991]	.50[12.7] DESFORRE
NEGRO	37.0/39.0 [940]/[991]	.50[12.7] DESFORRE
AZUL	37.0/39.0 [940]/[991]	.50[12.7] DESFORRE
ROJO	37.0/39.0 [940]/[991]	.50[12.7] DESFORRE
COLOR	LONGITUD	TERMINAL O LONGITUD DE DESFORRE

DE CARCASA - OLE	SEMI-CERRADO
DE TAPA - OLE	ABIERTO
DE CARCASA - LE	SEMI-CERRADO
DE TAPA - LE	ABIERTO

CLIENTE	DISTRIBUTION SERVICES
---------	-----------------------

INFORMACION DE ETIQUETA:	DIAGRAMA DE CONEXION EXTRNA
MODEL NO.: F48Y90A01 CUST. P/N: 9600A HP: 3/4,1/2,1/3 ROT.: CCWLE RPM: 1075 TYPE: UF FRAME: 48Y VOLTS: 115 PH: 1 AMPS: 12.6,8.8,6.6 HZ: 60 INS.: B AMB.: 40°C DUTY: AIR OVER CAP.: 10MFD/370V ENCL: SEMI-ENCL UL LOGO CSA LOGO THERMALLY PROTECTED	

CURVAS DE FUNCIONAMIENTO	TORSION @1075 RPM (25°C)	MUESTRA APROBADA	COMPONENTE UL	CSA
C32663	67.5 OZ. FT.	0603158A	#ARCHIVO PRGY2 LR43341	CLASS# 4211-01

- CARACTERISTICAS DE GEOMETRIA Y SIMBOLOS**
- ▮ PLANICIDAD
  - RECTITUD
  - ∠ ANGULARIDAD
  - ⊥ PERPENDICULARIDAD (A ESCUADRA)
  - // PARALELISMO
  - REDONDEZ (CIRCULARIDAD)
  - ∅ CILINDRICIDAD
  - △ PERFIL DE CUALQUIER SUPERFICIE
  - ∩ PERFIL DE CUALQUIER LINEA
  - ∧ VARIACION
  - ⊕ POSICION REAL
  - ◎ CONCENTRICIDAD
  - ≡ SIMETRIA
- ASME Y14.5M 1994

REGAL-BELOIT CORPORATION (RBC) PROVEE ASISTENCIA TECNICA A NUESTROS CLIENTES EN VARIAS AREAS. DESDE QUE RBC NO RECIBE TODOS LOS DATOS EN RELACION AL USO Y A LA APLICACION DEL MOTOR, LA APLICACION ADECUADA DEL MOTOR DEBE SER DETERMINADA POR EL CLIENTE.

DIMENSIONES SIN TOLERANCIA SON DE REFERENCIA SOLAMENTE

DIBUJADO POR: MEIYU.HE 03-09-2007

APROBADO POR:

TERCER ANGULO DE PROYECCION

FECHA EDS: 11-11-2011

REV. FORMATO: G

CONFIDENCIAL: ESTE DIBUJO Y SU INFORMACION SON PROPIEDAD DE USO EXCLUSIVO Y CONFIDENCIAL DE REGAL-BELOIT CORPORATION. Y NO DEBERAN SER REVELADOS, DUPLICADOS, DISTRIBUIDOS O USARSE DE OTRA MANERA SIN EL CONSENTIMIENTO ESCRITO DE REGAL-BELOIT CORPORATION. -TODOS LOS DERECHOS RESERVADOS.

**REGAL-BELOIT CORPORATION**

DESCRIPCION: MODEL-RFHP-48FR OUTLINE

TAMAÑO: C NUMERO DE DIBUJO: F48Y90A01

ESCALA: NONE HOJA: 1

4

3

2

1

4

3

2

1

版本	ECO	编制	日期	批准	日期
H	0025529	J.M.RAMIREZ	04-24-2012	R.RASCON	04-24-2012

总要求:

轴跳动: .001/1 [.03/25.4] (外伸轴)

端部窜动量: .010 - .063 [.25 - 1.60]

轴承: 含油轴承

安装位置: 全角度

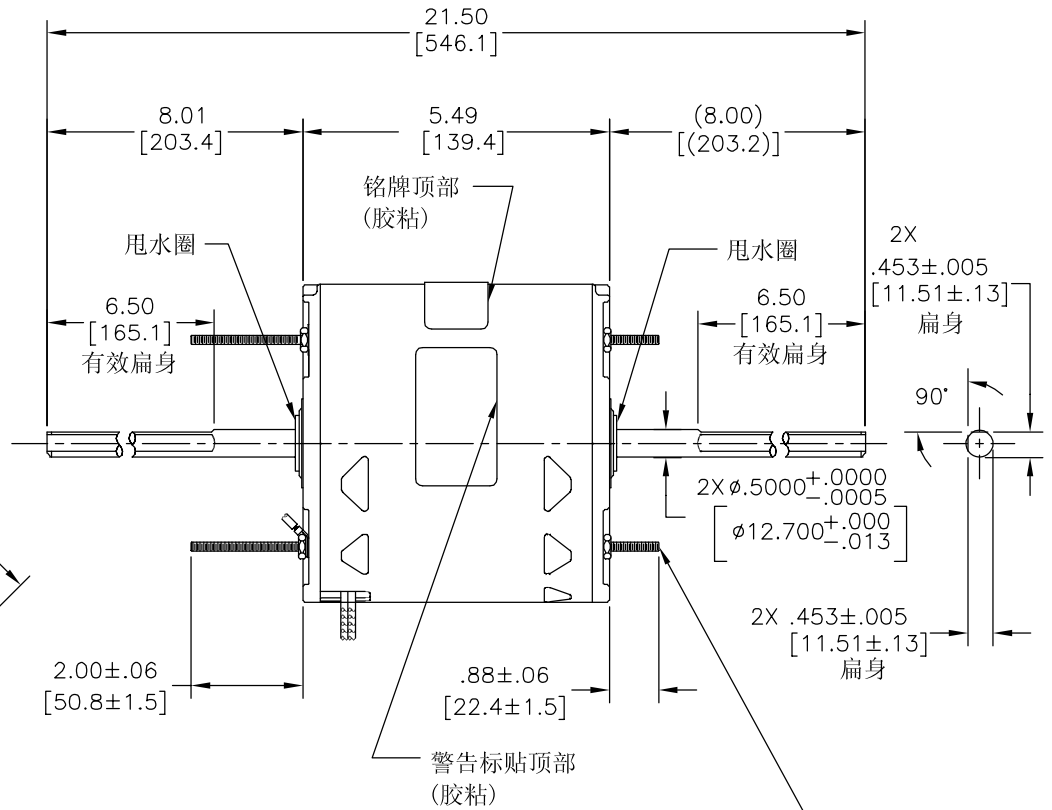
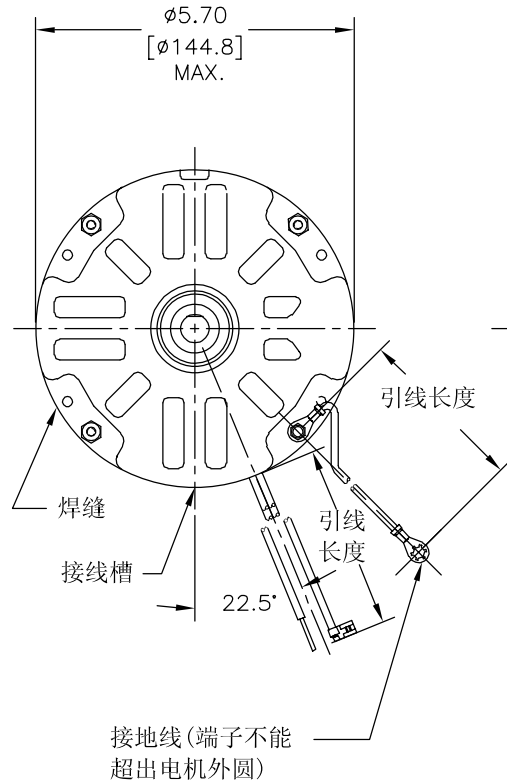
电气数据:

过载保护: 自动复位 (T. I. 7AM 036)

引线: 18GA, 厚.03[.8] PVC 125°C 绝缘

接地线: 16GA, 厚.03[.8] (绿/黄) 绝缘

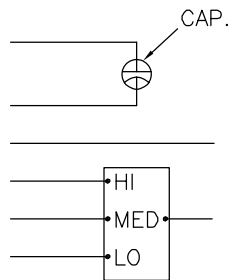
引线端逆时针  
转向



铭牌数据

外部连接详图

MODEL NO.: F48Y90A01  
CUST. P/N: 9600A  
HP: 3/4, 1/2, 1/3  
ROT.: CCWLE  
RPM: 1075  
TYPE: UF  
FRAME: 48Y  
VOLTS: 115  
PH: 1  
AMPS: 12.6, 8.8, 6.6  
HZ: 60  
INS.: B  
AMB.: 40°C  
DUTY: AIR OVER  
CAP.: 10MFD/370V  
ENCL: SEMI-ENCL  
UL LOGO  
CSA LOGO  
THERMALLY PROTECTED



614131-296

绿/黄(接地)	11.0/13.0 [279]/[330]	#10 金属圈
棕	37.0/39.0 [940]/[991]	.25[6.4] 旗形
棕/白	37.0/39.0 [940]/[991]	.25[6.4] 旗形
白	37.0/39.0 [940]/[991]	.50[12.7] 剥皮
黑	37.0/39.0 [940]/[991]	.50[12.7] 剥皮
蓝	37.0/39.0 [940]/[991]	.50[12.7] 剥皮
红	37.0/39.0 [940]/[991]	.50[12.7] 剥皮
颜色	长度	端子或剥线长度

非引线端机壳	密封
非引线端端盖	开启
引线端机壳	密封
引线端端盖	开启

用户	DISTRIBUTION SERVICES
----	-----------------------

性能曲线编号	转矩在1075RPM (25° C)	批准样品	UL部件		CSA	
			文件号	CCN#	文件号	CLASS#
C32663	67.5 OZ. FT.	0603158A	E46412	PRGY2	LR43341	4211-01

- 形位公差
- 平面度
- 直线度
- ∠ 倾斜度
- ⊥ 垂直度
- // 平行度
- 圆度
- ⊘ 圆柱度
- ⊖ 面轮廓度
- ⌒ 线轮廓度
- ↗ 圆跳动
- ⊕ 位置度
- ⊙ 同轴度
- ≡ 对称度

ASME Y14.5M 1994

REGAL-BELOIT CORPORATION (RBC) 在个别领域为客户 提供技术支持。鉴于RBC 未收到任何涉及电机使用和 应用环境的数据, 电机的适用性 由客户自己决定。

未注公差尺寸仅供参考。

绘图: MEIYU.HE 03-09-2007

批准:

第三角投影 图纸格式发布日期 11-11-2011 图纸格式版本 G

机密: 本图纸及相关信息所有权归REGAL-BELOIT CORPORATION 未经REGAL-BELOIT CORPORATION书面授权, 不得泄露、 复制、传播或作其他用途。—版权所有



名称		MODEL-RFHP-48FR OUTLINE	
图幅	C	图号	F48Y90A01
比例	NONE	页号	1

4

3

2

1