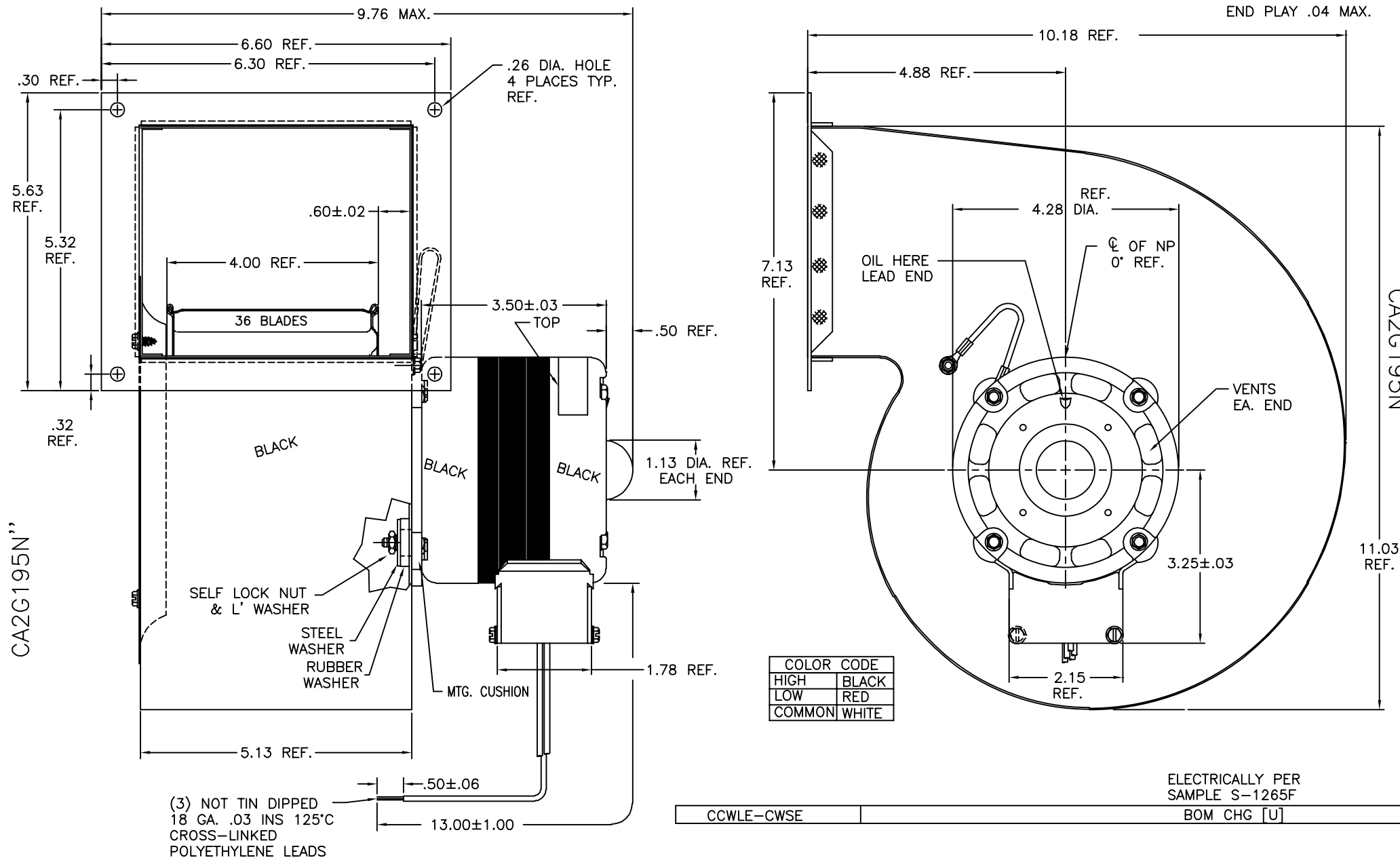


CUSTOMER IS SOLELY RESPONSIBLE FOR MOTOR PERFORMANCE AND SUITABILITY IN APPLICATIONS FOR CUSTOMER'S USES

REV	ECO	REV BY	DATE	APPD	DATE
V	0027378	H.REN	07-13-2012	B.SHEN	07-13-2012



CA2G195N"

CA2G195N"

NAMEPLATE DATA:
Century Tippecanoe, OH THERMALLY PROTECTED
 SER. DATE PLT MTR MOD CA2G195N" STOCK #9491
 115V 50/60HZ 3.5/2.2A 1550/1200RPM 1/10HP CFM-500
 CLASS B INS MAX AMB 40°C CONT. AO ASSEMBLED IN MEXICO
 LOW-RED, HIGH-BLACK, COM-WHITE

GEOMETRIC CHARACTERISTICS & SYMBOLS

- ▭ FLATNESS
- STRAIGHTNESS
- ∠ ANGULARITY
- ⊥ PERPENDICULARITY (SQUARENESS)
- // PARALLELISM
- ROUNDNESS (CIRCULARITY)
- ∅ CYLINDRICITY
- △ PROFILE OF ANY SURFACE
- ∩ PROFILE OF ANY LINE
- ↗ RUNOUT
- ⊕ TRUE POSITION
- ◎ CONCENTRICITY
- ≡ SYMMETRY

ASME Y14.5M 1994

UNLESS OTHERWISE SPECIFIED DIM. TOLERANCES ARE AS FOLLOWS:

INCH X XX XXX XXXX
 ±.1 ±.02 ±.005 ±.0005
 mm ±0.5 ±0.13 ±0.013

ANG. ±.50 DEG
 REMOVE BURRS & BREAK SHARP EDGES:
 INCH .003-.015 mm 0.1-0.4

CORNER FILLETS TO:
 INCH .020 mm 0.5

MACHINE SURFACES:
 INCH 125 mm 3.2

METRIC DIMS. SHOWN IN [BRACKETS]

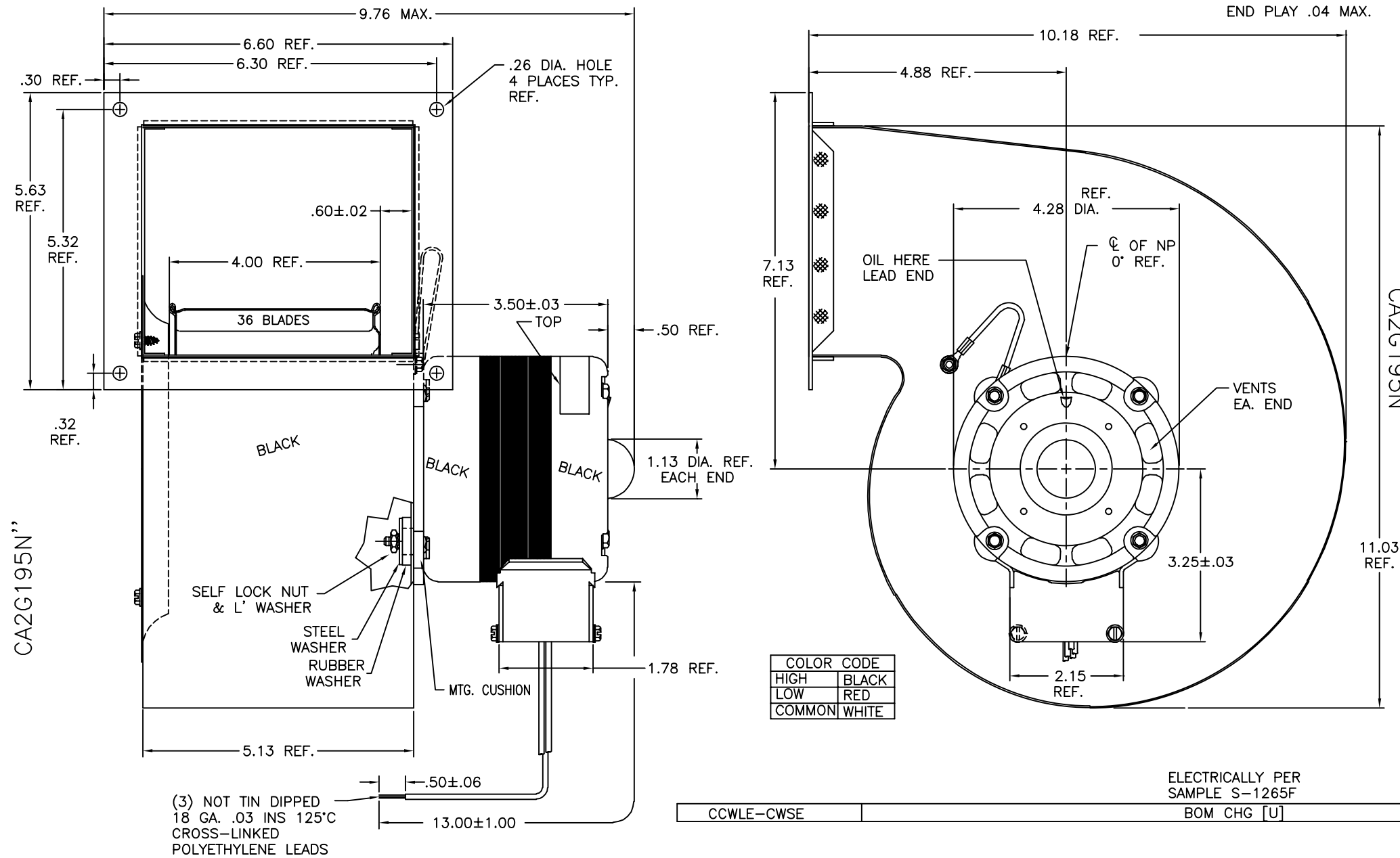
AFTERMARKET

DR BY:	JIMERM	12-03-2002
APPD:		
THIRD ANGLE PROJECTION	EDS DATE 11-11-2011	FORMAT REV H
CONFIDENTIAL: THIS DRAWING AND ITS INFORMATION ARE THE EXCLUSIVE AND CONFIDENTIAL PROPERTY OF REGAL-BELOIT CORPORATION AND ARE NOT TO BE DISCLOSED, DUPLICATED, DISTRIBUTED OR OTHERWISE USED WITHOUT THE WRITTEN CONSENT OF REGAL-BELOIT CORPORATION. -ALL RIGHTS RESERVED.		

REGAL REGAL-BELOIT CORPORATION	
DESCRIPTION MODEL-SFHP-4.3 OUTLINE	
SIZE C	DWG NO CA2G195
SCALE NONE	SHEET 1

CUSTOMER IS SOLELY RESPONSIBLE FOR MOTOR PERFORMANCE AND SUITABILITY IN APPLICATIONS FOR CUSTOMER'S USES

REVISION:	ECO	REVISADO POR:	FECHA:	APROBADO POR:	FECHA:
V	0027378	H.REN	07-13-2012	B.SHEN	07-13-2012



NAMEPLATE DATA:
Century Tippecanoe, OH THERMALLY PROTECTED
 SER. DATE PLT MTR MOD CA2G195N" STOCK #9491
 115V 50/60HZ 3.5/2.2A 1550/1200RPM 1/10HP CFM-500
 CLASS B INS MAX AMB 40°C CONT. AO ASSEMBLED IN MEXICO
 LOW-RED, HIGH-BLACK, COM-WHITE

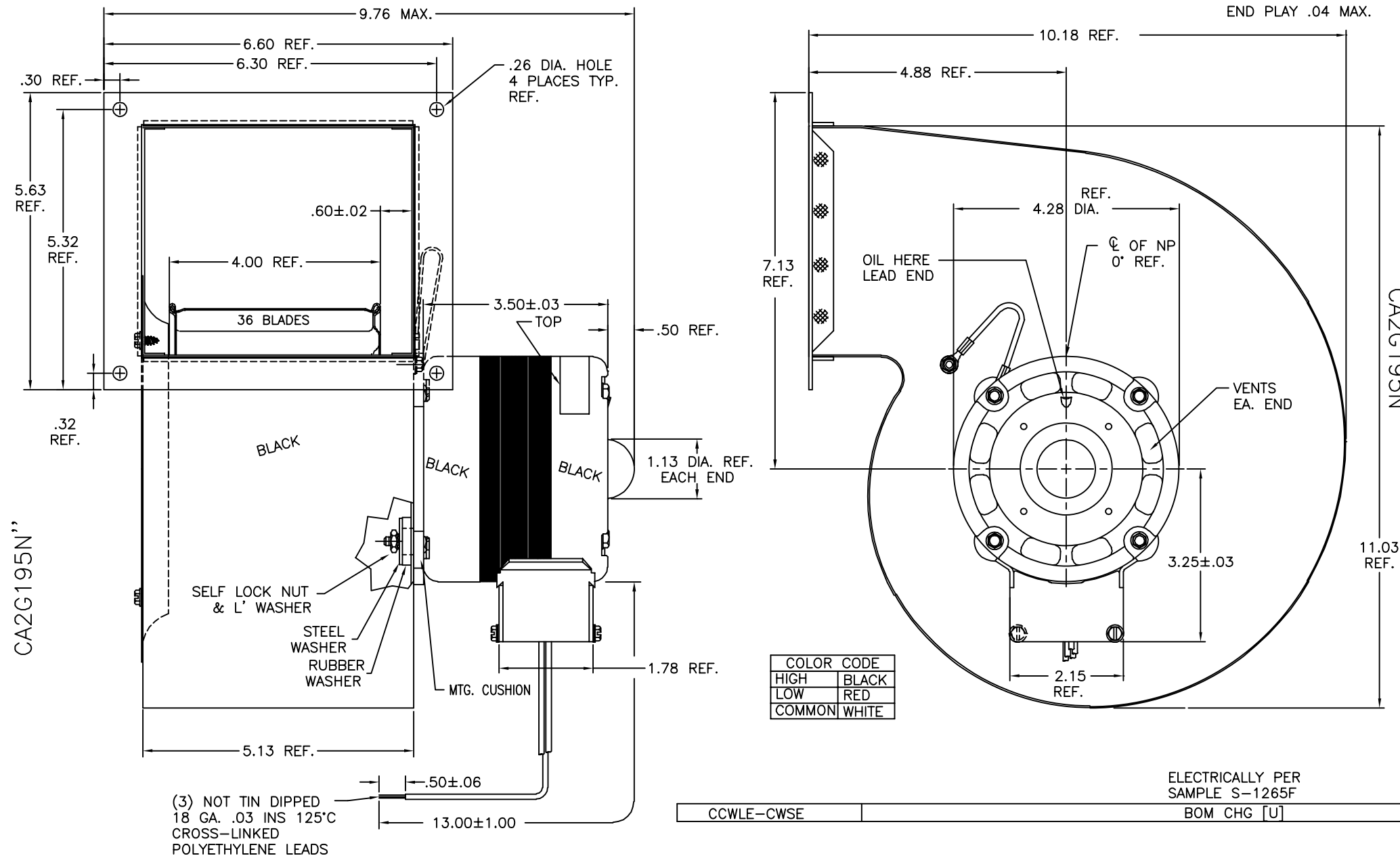
CARACTERISTICAS DE GEOMETRIA Y SIMBOLOS ▽ PLANICIDAD — RECTITUD < ANGULARIDAD ⊥ PERPENDICULARIDAD (A ESQUADRA) // PARALELISMO ○ REDONDEZ (CIRCULARIDAD) ∅ CILINDRICIDAD △ PERFIL DE CUALQUIER SUPERFICIE ▲ PERFIL DE CUALQUIER LINEA ↗ VARIACION ⊕ POSICION REAL ⊙ CONCENTRICIDAD = SIMETRIA ASME Y14.5M 1994	A MENOS QUE SE ESPECIFIQUE DE OTRA MANERA, LAS TOLERANCIAS DE LAS DIMS; SON LAS SIGUIENTES: PULG ±.1 ±.02 ±.005 ±.0005 mm ±0.5 ±0.13 ±0.013 ANG. ± 50 GRADOS ELIMINAR REBABAS Y ORILLAS FILOSAS DEL BORDE. PULG .003-.015 mm 0.1-0.4 FILETEAR ESQUINA: PULG .020 mm 0.5 MAQUINAR SUPERFICIES PULG 125 mm 3.2 DIMS METRICAS MOSTRADAS [PARENTESIS]
---	--

AFTERMARKET	
DIBUJADO POR: JIMERM	12-03-2002
APROBADO POR:	
TERCER ANGULO DE PROYECCION	FECHA EDS: 11-11-2011 REV. FORMATO: H
CONFIDENCIAL: ESTE DIBUJO Y SU INFORMACION SON PROPIEDAD DE USO EXCLUSIVO Y CONFIDENCIAL DE REGAL-BELOIT CORPORATION. Y NO DEBERAN SER REVELADOS, DUPLICADOS, DISTRIBUIDOS O USARSE DE OTRA MANERA SIN EL CONSENTIMIENTO ESCRITO DE REGAL-BELOIT CORPORATION. -TODOS LOS DERECHOS RESERVADOS.	

REGAL REGAL-BELOIT CORPORATION	
DESCRIPCION: MODEL-SFHP-4.3 OUTLINE	
TAMAÑO: C	NUMERO DE DIBUJO: CA2G195
ESCALA: NONE	HOJA: 1

CUSTOMER IS SOLELY RESPONSIBLE FOR MOTOR PERFORMANCE AND SUITABILITY IN APPLICATIONS FOR CUSTOMER'S USES

版本	ECO	编制	日期	批准	日期
V	0027378	H.REN	07-13-2012	B.SHEN	07-13-2012



COLOR CODE	
HIGH	BLACK
LOW	RED
COMMON	WHITE

ELECTRICALLY PER SAMPLE S-1265F
BOM CHG [U]

NAMEPLATE DATA:
 Tip City, OH THERMALLY PROTECTED
 SER. DATE PLT MTR MOD CA2G195N" STOCK #9491
 115V 50/60HZ 3.5/2.2A 1550/1200RPM 1/10HP CFM-500
 CLASS B INS MAX AMB 40°C CONT. AO ASSEMBLED IN MEXICO
 LOW-RED, HIGH-BLACK, COM-WHITE

形位公差 □ 平面度 — 直线度 ∠ 倾斜度 ⊥ 垂直度 ∥ 平行度 ○ 圆度 ⊙ 圆柱度 △ 面轮廓度 ⌒ 线轮廓度 ↗ 圆跳动 ⊕ 位置度 ◎ 同轴度 ≡ 对称度	除另有注明 尺寸公差如下: 英寸 X XX XXX XXXX ±.1 ±.02 ±.005 ±.0005 毫米 ±0.5 ±0.13 ±0.013 角度 ±.50 度 清理毛刺和尖棱 英寸 .003-.015 毫米 0.1-0.4 内圆角 英寸 .020 毫米 0.5 表面粗糙度 英制 125 米制 3.2 米制尺寸显示在 []
--	--

AFTERMARKET	
绘图: JIMERM	12-03-2002
批准:	
第三角投影	图纸格式发布日期 11-11-2011 图纸格式版本 H
机密: 本图纸及相关信息所有权归REGAL-BELOIT CORPORATION. 未经REGAL-BELOIT CORPORATION书面授权, 不得泄露、复制、传播或作其他用途。一版权所有	

REGAL-BELOIT CORPORATION	
名称 MODEL-SFHP-4.3 OUTLINE	
图幅 C	图号 CA2G195
比例 NONE	页号 1

ASME Y14.5M 1994