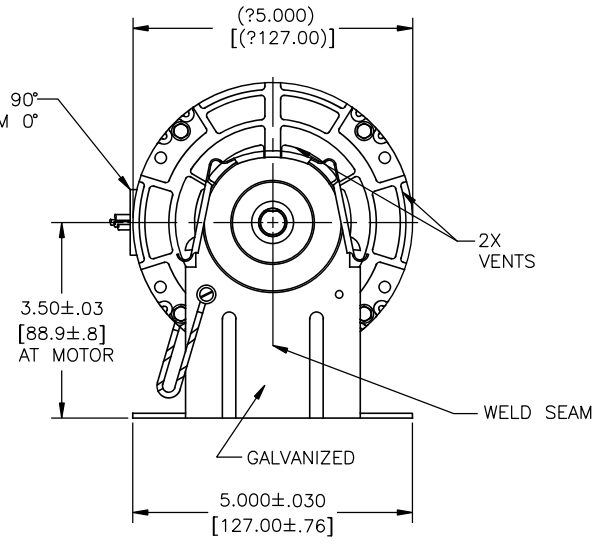
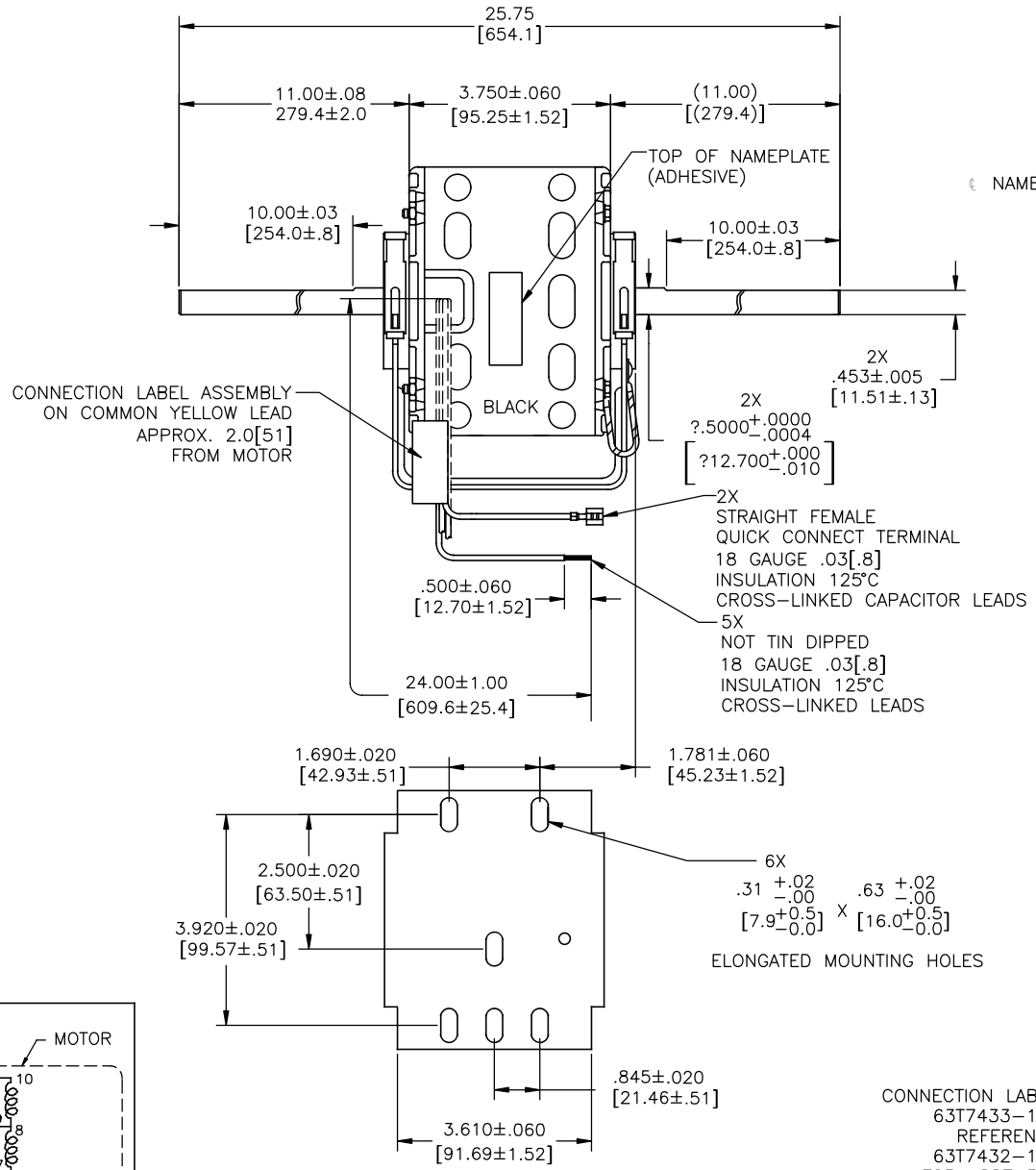


CUSTOMER IS SOLELY RESPONSIBLE FOR MOTOR PERFORMANCE AND SUITABILITY IN APPLICATIONS FOR CUSTOMER'S USES.

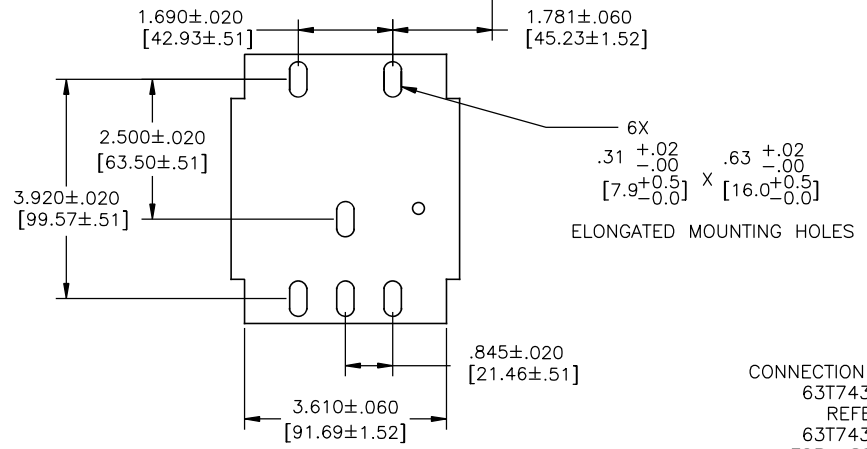
Uncontrolled Copy

REV	ECO	REV BY	DATE	APPD	DATE
E	0040371	P.ROJAS	12-11-2013	D.BALDERRAMA	12-11-2013

END PLAY .005[.13] MINIMUM - .040[1.02] MAXIMUM
 MAXIMUM SHAFT RUN OUT .001[.03] PER INCH
 MAXIMUM RUN OUT NOT TO EXCEED .010[.25]



NOTE:
 1. DISTRIBUTION PART NUMBER: 9474
 GRAINGER PART NUMBER: 4MA85



ROTATION: CCWLE

NAMEPLATE DATA:

Tipp City, OH
 THERMALLY PROTECTED

SER. DATE & PO# PLT LTR MOD DE3D7461N'

VOLTS 115 HZ 60 AMPS

RPM 1075 SP4 PH1 CAP 5MFD 370 VAC

INS CL B AMB 40°C HP CONT A.O ← ROT←

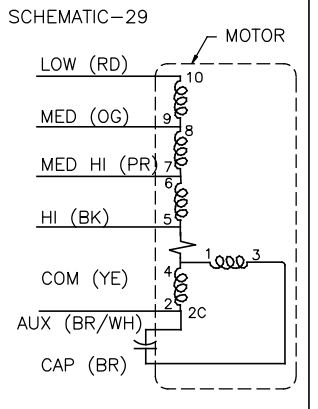
BRG SLV ASSEMBLED IN MEXICO

BK-HIGH 1.2A 1/15HP

PR-MED HI .8A 1/20HP

OG-MED .7A 1/25HP RD-LOW .6A 1/35HP

COM-YE BR & BR/WH-CAP



GEOMETRIC CHARACTERISTICS & SYMBOLS

- f FLATNESS
- u STRAIGHTNESS
- a ANGULARITY
- b PERPENDICULARITY (SQUARENESS)
- e PARALLELISM
- e ROUNDNESS (CIRCULARITY)
- g CYLINDRICITY
- d PROFILE OF ANY SURFACE
- k PROFILE OF ANY LINE
- h RUNOUT
- j TRUE POSITION
- r CONCENTRICITY
- i SYMMETRY

ASME Y14.5M 1994

REGAL-BELOIT CORPORATION (RBC) PROVIDES TECHNICAL ASSISTANCE TO OUR CUSTOMERS IN SEVERAL AREAS. SINCE RBC DOES NOT RECEIVE ALL DATA CONCERNING THE USE AND APPLICATION OF THE MOTOR, THE SUITABILITY OF THE MOTOR FOR THE APPLICATION MUST BE DETERMINED BY THE CUSTOMER.

DIMENSIONS WITHOUT TOLERANCES ARE FOR REFERENCE ONLY.

DR BY: AL 06-08-2011

APPD: B.SHEN 06-08-2011

THIRD ANGLE PROJECTION

EDS DATE 11-11-2011
 FORMAT REV H

CONFIDENTIAL: THIS DRAWING AND ITS INFORMATION ARE THE EXCLUSIVE AND CONFIDENTIAL PROPERTY OF REGAL-BELOIT CORPORATION AND ARE NOT TO BE DISCLOSED, DUPLICATED, DISTRIBUTED OR OTHERWISE USED WITHOUT THE WRITTEN CONSENT OF REGAL-BELOIT CORPORATION. -ALL RIGHTS RESERVED.

REGAL REGAL-BELOIT CORPORATION

DESCRIPTION: MODEL-RFHP-42FR OUTLINE

SIZE: C DWG NO: 9474

SCALE: NONE SHEET: 1