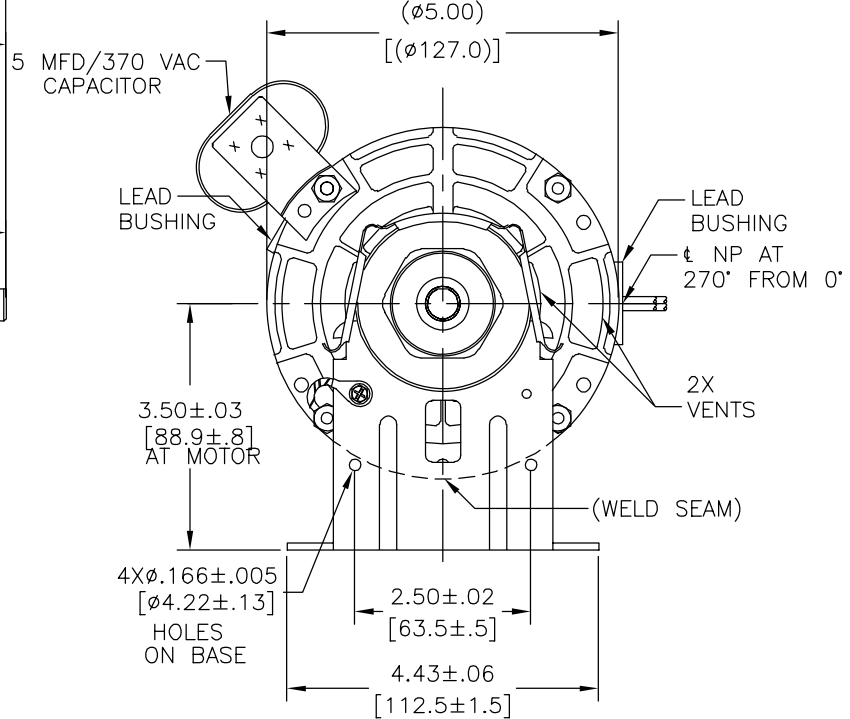
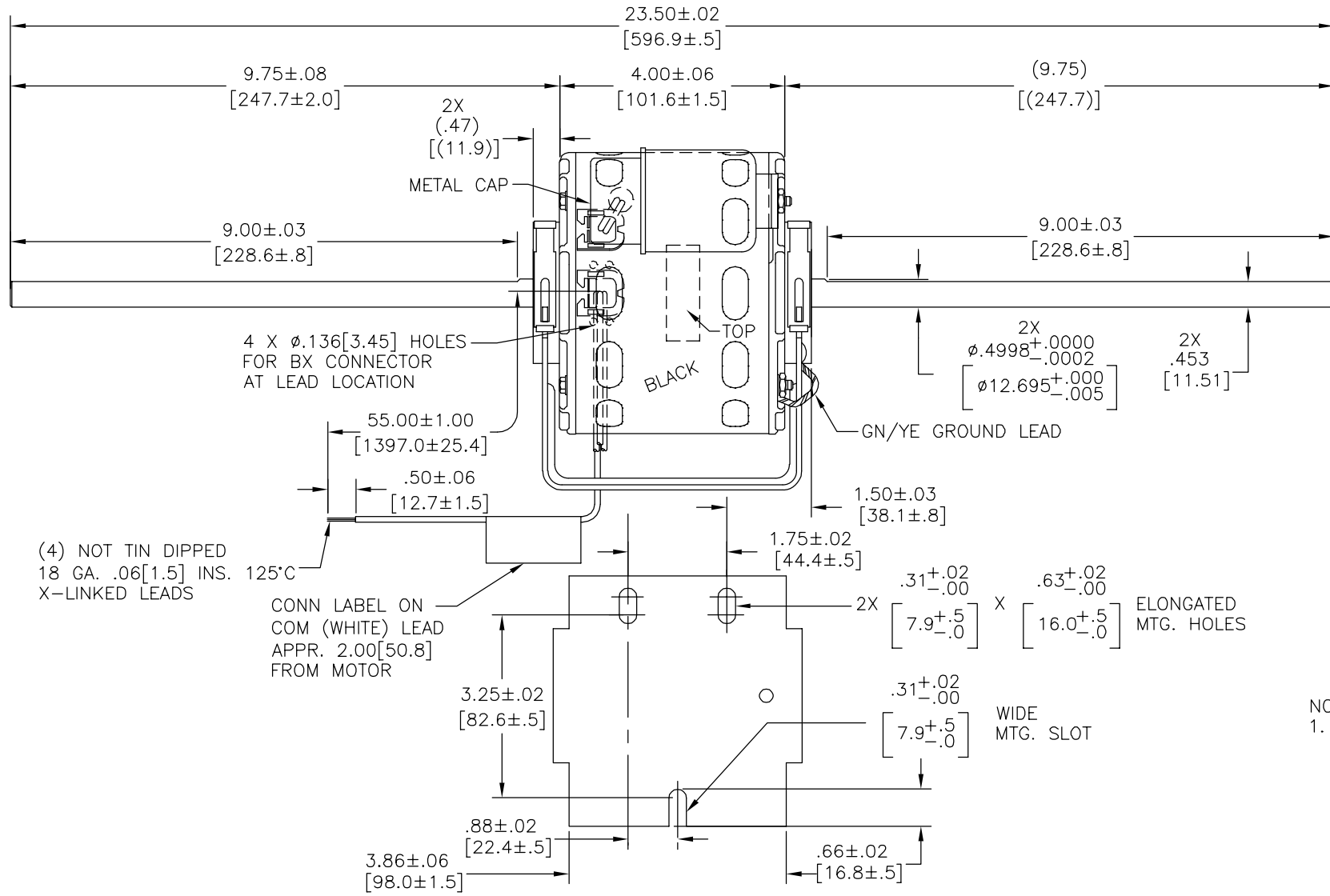


CUSTOMER IS SOLELY RESPONSIBLE FOR MOTOR PERFORMANCE AND SUITABILITY IN APPLICATIONS FOR CUSTOMER'S USES.

REV	ECO	REV BY	DATE	APPD	DATE
D	0029018	J.AGUILERA	29-10-2012	D.BALDERRAMA	29-10-2012

END PLAY .005 [.13] MIN. - .040 [1.02] MAX.  
 MAX. SHAFT RUN OUT .001 [.03] PER INCH  
 MAX. RUN OUT NOT TO EXCEED .0075[.191]

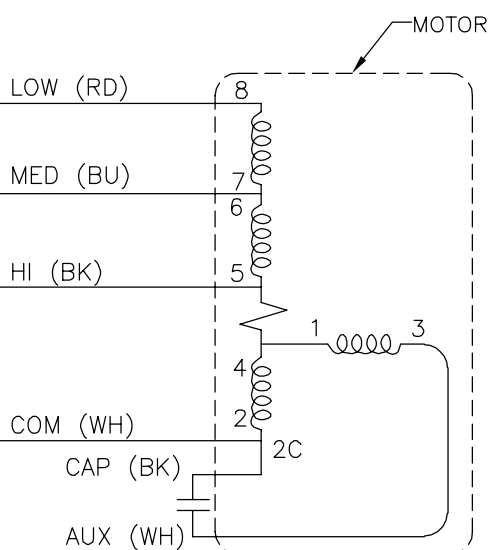


NOTE:  
 1. DISTRIBUTION PART NUMBER: 945A  
 GRAINGER PART NUMBER: 4UU20

ELECTRICALLY PER  
 S9558E  
 PERFORMANCE CURVE NO.  
 C32363

(4) NOT TIN DIPPED  
 18 GA. .06[1.5] INS. 125°C  
 X-LINKED LEADS

CONN LABEL ON  
 COM (WHITE) LEAD  
 APPR. 2.00[50.8]  
 FROM MOTOR



SCHEMATIC-21

ROT.: - CCWLE

NAMEPLATE DATA:

**Century** Tipp City, OH  
 THERMALLY PROTECTED

SER. DATE & P0# PLT LTR MOD DE2E221N' [ ]  
 VOLTS 115 HZ 60 AMPS  
 RPM 1500 SP PH CAP 5 MFD/370 VAC  
 INS CLB AMB40°C HP AO ASSEMBLED IN MEXICO  
 BRG SLV  
 WH-COM BK-HI 1.2A 1/8HP  
 BU-MED.7A 1/20HP RD-LOW .4A 1/30HP

CONN LABEL  
 63T7433-102

GEOMETRIC CHARACTERISTICS & SYMBOLS

- FLATNESS
- STRAIGHTNESS
- ∠ ANGULARITY
- ⊥ PERPENDICULARITY (SQUARENESS)
- // PARALLELISM
- ROUNDNESS (CIRCULARITY)
- ⊘ CYLINDRICITY
- △ PROFILE OF ANY SURFACE
- ∩ PROFILE OF ANY LINE
- ↗ RUNOUT
- ⊕ TRUE POSITION
- ⊙ CONCENTRICITY
- ≡ SYMMETRY

ASME Y14.5M 1994

UNLESS OTHERWISE SPECIFIED  
 DIM. TOLERANCES ARE AS FOLLOWS:

INCH X XX XXX XXXX  
 ±.1 ±.02 ±.005 ±.0005  
 mm ±0.5 ±0.13 ±0.013

ANG. ±.50 DEG  
 REMOVE BURRS & BREAK SHARP EDGES:  
 INCH .003-.015 mm 0.1-0.4

CORNER FILLETS TO:  
 INCH .020 mm 0.5

MACHINE SURFACES:  
 INCH 125 mm 3.2

METRIC DIMS. SHOWN IN [BRACKETS]

DR BY: JRUPER 09-22-2004

APPD:

THIRD ANGLE PROJECTION

EDS DATE 11-11-2011  
 FORMAT REV H

CONFIDENTIAL: THIS DRAWING AND ITS INFORMATION ARE THE EXCLUSIVE AND CONFIDENTIAL PROPERTY OF REGAL-BELOIT CORPORATION AND ARE NOT TO BE DISCLOSED, DUPLICATED, DISTRIBUTED OR OTHERWISE USED WITHOUT THE WRITTEN CONSENT OF REGAL-BELOIT CORPORATION. -ALL RIGHTS RESERVED.

**REGAL** REGAL-BELOIT CORPORATION

DESCRIPTION: MODEL-RFHP-42FR OUTLINE

SIZE: C DWG NO: DE2E7221

SCALE: NONE SHEET: 1

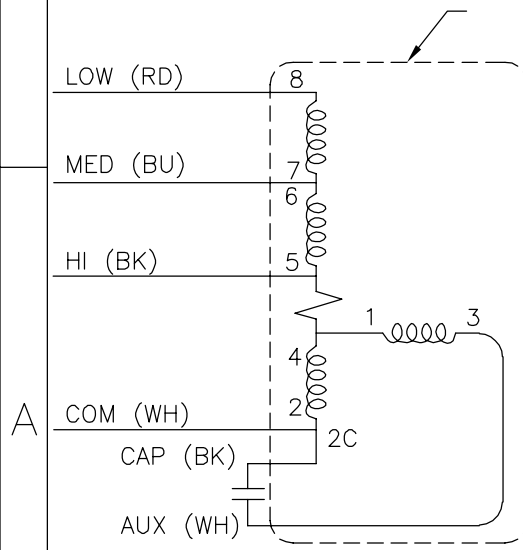
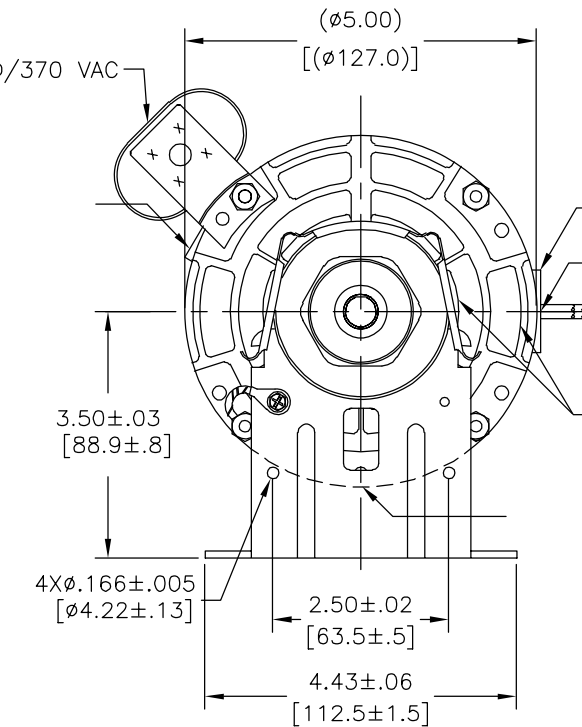
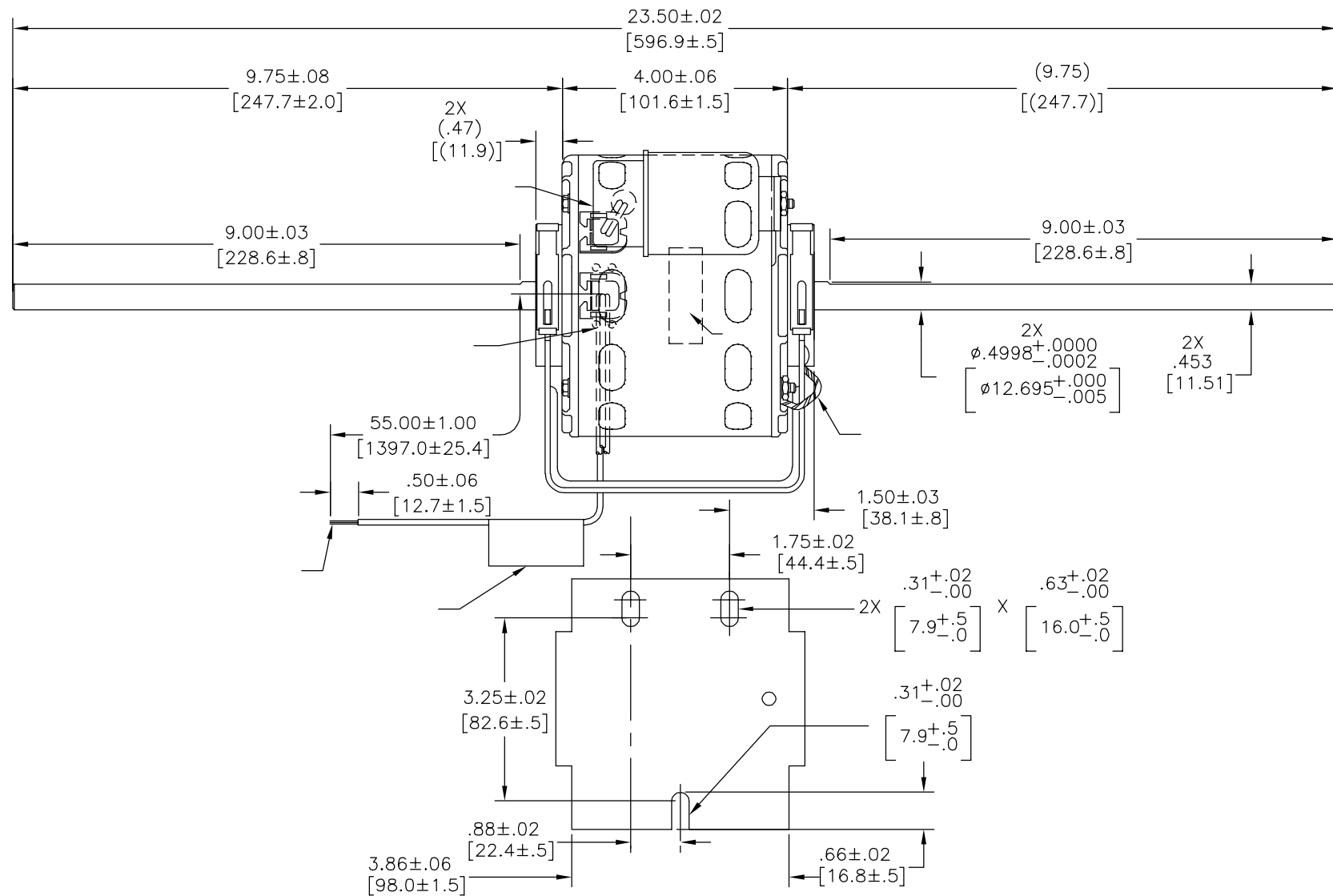
4

3

2

1

REVISION:	ECO	REVISADO POR:	FECHA:	APROBADO POR:	FECHA:
D	0029018	J.AGUILERA	29-10-2012	D.BALDERRAMA	29-10-2012



Tipp City, OH  
THERMALLY PROTECTED



SER. DATE & P0# PLT LTR MOD DE2E221N' [ ]  
 VOLTS 115 HZ 60 AMPS  
 RPM 1500 SP PH CAP 5 MFD/370 VAC  
 INS CLB AMB40°C HP AO ASSEMBLED IN MEXICO  
 BRG SLV  
 WH-COM BK-HI 1.2A 1/8HP  
 BU-MED.7A 1/20HP RD-LOW .4A 1/30HP

63T7433-102

CARACTERISTICAS DE GEOMETRIA Y SIMBOLOS

- PLANICIDAD
- RECTITUD
- ∠ ANGULARIDAD
- ⊥ PERPENDICULARIDAD (A ESCUADRA)
- // PARALELISMO
- REDONDEZ (CIRCULARIDAD)
- ⊘ CILINDRICIDAD
- △ PERFIL DE CUALQUIER SUPERFICIE
- ▽ PERFIL DE CUALQUIER LINEA
- ∠ VARIACION
- ⊕ POSICION REAL
- ◎ CONCENTRICIDAD
- = SIMETRIA

A MENOS QUE SE ESPECIFIQUE DE OTRA MANERA, LAS TOLERANCIAS DE LAS DIMS; SON LAS SIGUIENTES:  
 PULG ±.1 ±.02 ±.005 ±.0005  
 mm ±0.5 ±0.13 ±0.013  
 ANG. ±.50 GRADOS  
 ELIMINAR REBABAS Y ORILLAS FILOSAS DEL BORDE.  
 PULG .003-.015 mm 0.1-0.4  
 FILETEAR ESQUINA: PULG .020 mm 0.5  
 MAQUINAR SUPERFICIES  
 PULG 125 mm 3.2

DIBUJADO POR: JRUPER

09-22-2004

APROBADO POR:

TERCER ANGULO DE PROYECCION

FECHA EDS: 11-11-2011  
REV. FORMATO: H

CONFIDENCIAL: ESTE DIBUJO Y SU INFORMACION SON PROPIEDAD DE USO EXCLUSIVO Y CONFIDENCIAL DE REGAL-BELOIT CORPORATION. Y NO DEBERAN SER REVELADOS, DUPLICADOS, DISTRIBUIDOS O USARSE DE OTRA MANERA SIN EL CONSENTIMIENTO ESCRITO DE REGAL-BELOIT CORPORATION. -TODOS LOS DERECHOS RESERVADOS.



DESCRIPCION: MODEL-RFHP-42FR OUTLINE  
 TAMAÑO: C NUMERO DE DIBUJO: DE2E7221  
 ESCALA: NONE HOJA: 1

4

3

2

1

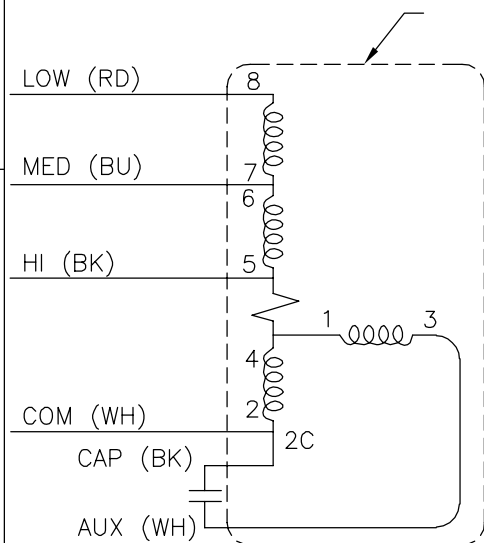
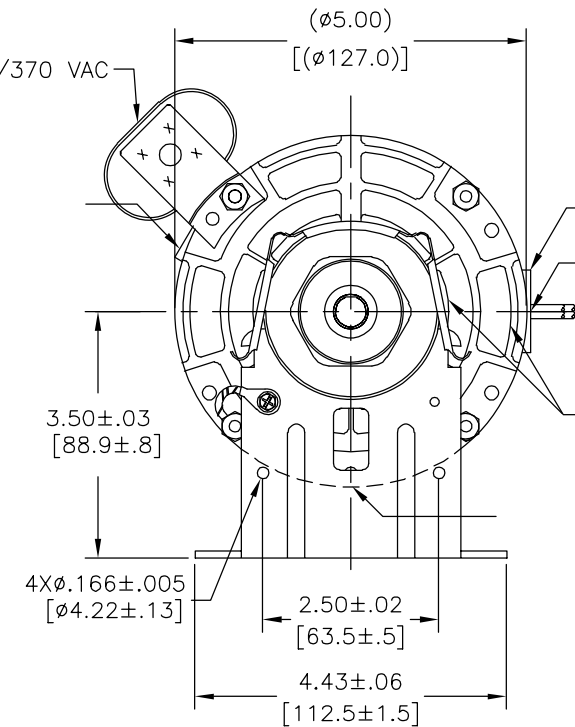
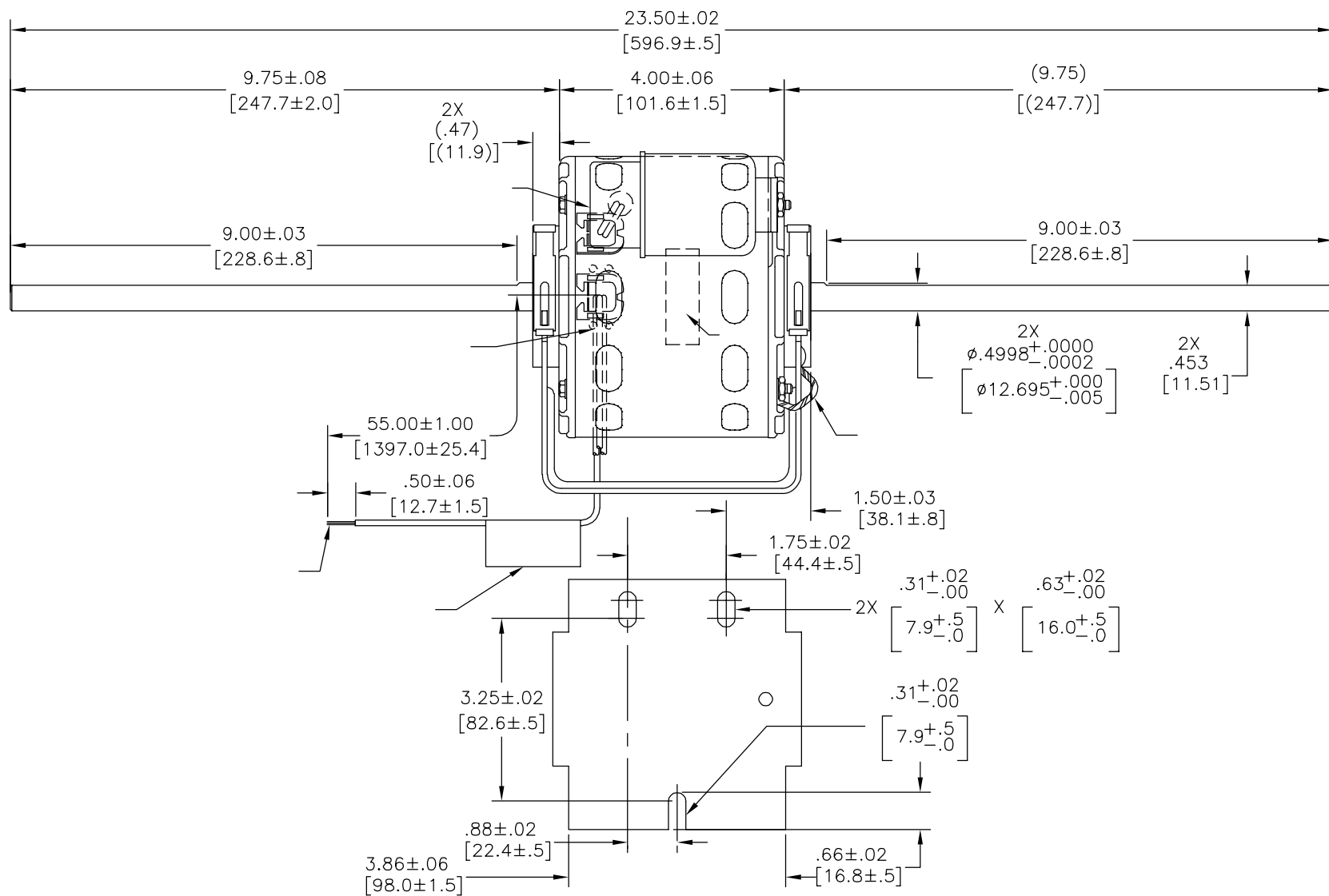
4

3

2

1

版本	ECO	编制	日期	批准	日期
D	0029018	J.AGUILERA	29-10-2012	D.BALDERRAMA	29-10-2012



Tipp City, OH  
THERMALLY PROTECTED



SER. DATE & PO# PLT LTR MOD DE2E221N' [ ]  
VOLTS 115 HZ 60 AMPS  
RPM 1500 SP PH CAP 5 MFD/370 VAC  
INS CLB AMB40°C HP AO  
BRG SLV ASSEMBLED IN MEXICO  
WH-COM BK-HI 1.2A 1/8HP  
BU-MED.7A 1/20HP RD-LOW .4A 1/30HP

63T7433-102

- 形位公差
- 平面度
  - 直线度
  - ∠ 倾斜度
  - ⊥ 垂直度
  - // 平行度
  - 圆度
  - ⊘ 圆柱度
  - △ 面轮廓度
  - ∩ 线轮廓度
  - ↻ 圆跳动
  - ⊕ 位置度
  - ⊙ 同轴度
  - ≡ 对称度

ASME Y14.5M 1994

除另有注明  
尺寸公差如下:

英寸	±.1	±.02	±.005	±.0005
毫米	±0.5	±0.13	±0.013	

角度 ±.50 度  
清理毛刺和尖棱  
英寸 .003-.015 毫米 0.1-0.4  
内圆角  
英寸 .020 毫米 0.5  
表面粗糙度  
英制 125 米制 3.2

绘图:	JRUPER	09-22-2004
批准:		
第三角投影		图纸格式发布日期 11-11-2011 图纸格式版本 H
机密: 本图纸及相关信息所有权归REGAL-BELOIT CORPORATION. 未经REGAL-BELOIT CORPORATION书面授权, 不得泄露、复制、传播或作其他用途。—版权所有		

**REGAL** REGAL-BELOIT CORPORATION

名称  
MODEL-RFHP-42FR  
OUTLINE

图幅 C 图号 DE2E7221

比例 NONE 页号 1

4

3

2

1