

4

3

2

1

REV	ECO	REV BY	DATE	APPD	DATE
E	0025529	J.M.RAMIREZ	04-24-2012	R.RASCON	04-24-2012

GENERAL INFORMATION:

SHAFT RUNOUT: .001 [.03] T.I.R. PER INCH LENGTH OF EXTENSION

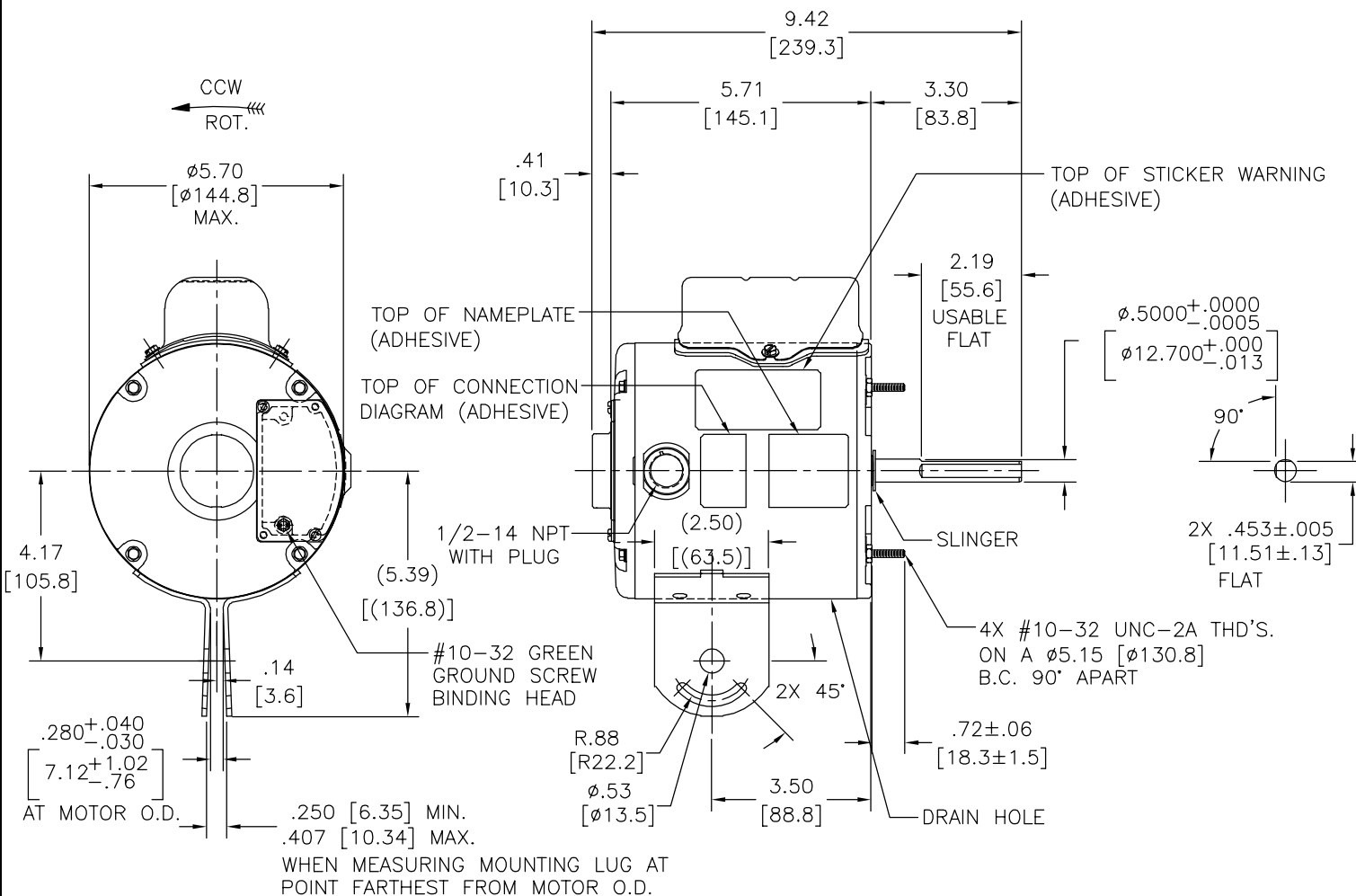
BEARINGS: BALL

MOUNTING POSITION: ALL ANGLE

ELECTRICAL DATA:

OVERLOAD PROTECTOR: AUTOMATIC RESET (T.I. 7AM 036)

LEADS: NO. 18 GA., .03 [.8] THK. XLP 125°C INSUL.



NAMEPLATE DATA:	EXTERNAL CONNECTION DIAGRAM
MODEL NO.: F48Z61A01 CUST. P/N: 9451A HP: 1/4 ROT.: CCWLE RPM: 1725 TYPE: UF FRAME: 48Y VOLTS: 115/230 PH: 1 AMPS: 3.6/1.8 HZ: 60 INS.: B AMB.: 40° C DUTY: AIR OVER CAP.: 5 MFD/370 V ENCL: ENCLOSED UL LOGO CSA LOGO THERMALLY PROTECTED	<p>BROWN — SEP. CAP.</p> <p>BROWN — L2</p> <p>ORANGE — L2</p> <p>BLUE — B</p> <p>WHITE — A</p> <p>BLACK — A</p> <p>RED — L1</p> <p>HIGH VOLTS</p> <hr/> <p>BROWN — SEP. CAP.</p> <p>BROWN — L2</p> <p>ORANGE — L2</p> <p>BLUE — A</p> <p>BLACK — A</p> <p>WHITE — L1</p> <p>RED — L1</p> <p>LOW VOLTS</p> <p>614131-367</p>

COLOR	LENGTH	TERMINAL OR STRIP LENGTH
BROWN	CONNECTED TO CAPACITOR	.25 [6.4] FLAG
BROWN	CONNECTED TO CAPACITOR	.25 [6.4] FLAG
ORANGE	4.0/5.0 [102/127]	.25 [6.4] FLAG
BLUE	4.0/5.0 [102/127]	.25 [6.4] FLAG
WHITE	4.0/5.0 [102/127]	.25 [6.4] FLAG
BLACK	4.0/5.0 [102/127]	.25 [6.4] FLAG
RED	4.0/5.0 [102/127]	.25 [6.4] FLAG

NOTES:  
1. MOTOR TO BE SHIPPED CONNECTED FOR 115 VOLTS.

MAIN FRAME - OLE	ENCLOSED
END FRAME - OLE	ENCLOSED
MAIN FRAME - LE	ENCLOSED
END FRAME - LE	ENCLOSED

CUSTOMER	DISTRIBUTION SERVICE
----------	----------------------

PERFORMANCE CURVE NO.	TORQUE @ 1725 RPM (25°C)	APPROVED SAMPLE	UL COMPONENT FILE #	CCN #	CSA FILE #	CLASS #
C32728	14.3 OZ. FT.	0701171A	E46412	PRGY2	LR43341	4211-01

GEOMETRIC CHARACTERISTICS & SYMBOLS  
 □ FLATNESS  
 — STRAIGHTNESS  
 < ANGULARITY  
 ⊥ PERPENDICULARITY (SQUARENESS)  
 // PARALLELISM  
 ○ ROUNDNESS (CIRCULARITY)  
 ∅ CYLINDRICITY  
 △ PROFILE OF ANY SURFACE  
 ∩ PROFILE OF ANY LINE  
 ↗ RUNOUT  
 ⊕ TRUE POSITION  
 ⊙ CONCENTRICITY  
 = SYMMETRY  
 ASME Y14.5M 1994

REGAL-BELOIT CORPORATION (RBC) PROVIDES TECHNICAL ASSISTANCE TO OUR CUSTOMERS IN SEVERAL AREAS. SINCE RBC DOES NOT RECEIVE ALL DATA CONCERNING THE USE AND APPLICATION OF THE MOTOR, THE SUITABILITY OF THE MOTOR FOR THE APPLICATION MUST BE DETERMINED BY THE CUSTOMER.  
 DIMENSIONS WITHOUT TOLERANCES ARE FOR REFERENCE ONLY.

DR BY: ZHU HONG 07-10-2007  
 APPD: TR 02-25-2008  
 THIRD ANGLE PROJECTION  
 EDS DATE 11-11-2011  
 FORMAT REV G  
 CONFIDENTIAL: THIS DRAWING AND ITS INFORMATION ARE THE EXCLUSIVE AND CONFIDENTIAL PROPERTY OF REGAL-BELOIT CORPORATION AND ARE NOT TO BE DISCLOSED, DUPLICATED, DISTRIBUTED OR OTHERWISE USED WITHOUT THE WRITTEN CONSENT OF REGAL-BELOIT CORPORATION. -ALL RIGHTS RESERVED.

DESCRIPTION	
MODEL-RFHP-48FR OUTLINE	
SIZE C	DWG NO 9451A
SCALE NONE	SHEET 1

4

3

2

1

4

3

2

1

REVISION:	ECO	REVISADO POR:	FECHA:	APROBADO POR:	FECHA:
E	0025529	J.M.RAMIREZ	04-24-2012	R.RASCON	04-24-2012

INFORMACION GENERAL:

OSCILACION DE FLECHA: .001 [.03] T.I.R. PER INCH LENGTH OF EXTENSION

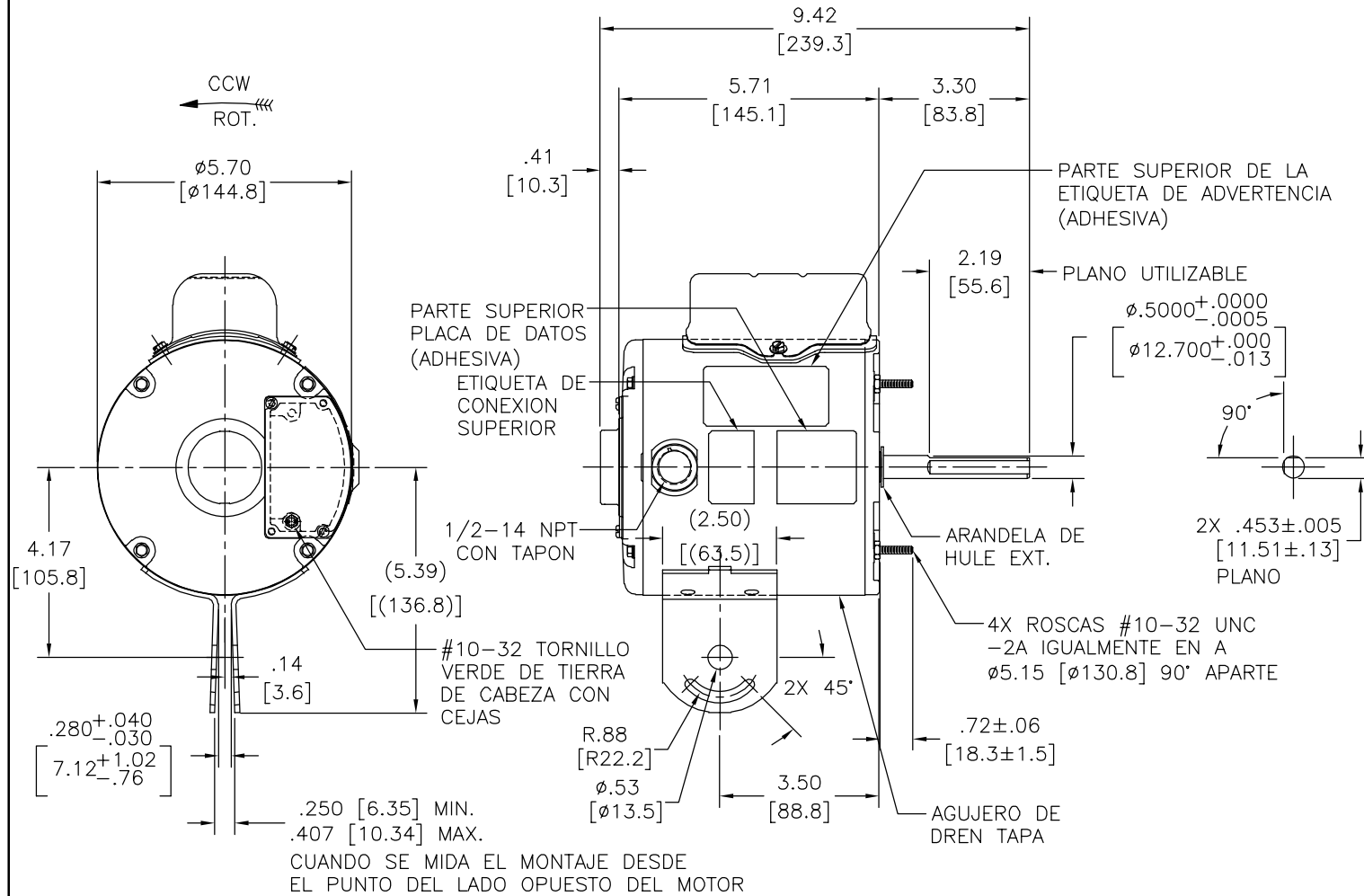
BALEROS: BALERO

POSICION DEL MONTAJE: TODOS LOS ANGULOS

INFORMACION ELECTRICA:

PROTECTOR DE SOBRECARGA: REINICIO AUTOMATIC (T.I. 7AM 036)

CABLES: NO. 18 GA., .03 [.8] THK. XLP 125°C AISLAM.



INFORMACION DE ETIQUETA:	DIAGRAMA DE CONEXION EXTRNA
MODEL NO.: F48Z61A01 CUST. P/N: 9451A HP: 1/4 ROT.: CCWLE RPM: 1725 TYPE: UF FRAME: 48Y VOLTS: 115/230 PH: 1 AMPS: 3.6/1.8 HZ: 60 INS.: B AMB.: 40° C DUTY: AIR OVER CAP.: 5 MFD/370 V ENCL: ENCLOSED UL LOGO CSA LOGO THERMALLY PROTECTED	<p>SEP. CAP.</p> <p>BROWN ———— ⊕</p> <p>ORANGE ———— L2</p> <p>BLUE ———— B</p> <p>WHITE ———— A</p> <p>BLACK ———— A</p> <p>RED ———— L1</p> <p>HIGH VOLTS</p> <hr/> <p>SEP. CAP.</p> <p>BROWN ———— ⊕</p> <p>ORANGE ———— L2</p> <p>BLUE ———— A</p> <p>BLACK ———— A</p> <p>WHITE ———— L1</p> <p>RED ———— L1</p> <p>LOW VOLTS</p>

COLOR	CONNECTED TO CAPACITOR	LONGITUD	LONGITUD DE DESFORRE
CAFE	CONNECTED TO CAPACITOR	.25 [6.4]	BANDERA
CAFE	CONNECTED TO CAPACITOR	.25 [6.4]	BANDERA
NARANJA	4.0/5.0 [102/127]	.25 [6.4]	BANDERA
AZUL	4.0/5.0 [102/127]	.25 [6.4]	BANDERA
BLANCO	4.0/5.0 [102/127]	.25 [6.4]	BANDERA
NEGRO	4.0/5.0 [102/127]	.25 [6.4]	BANDERA
ROJO	4.0/5.0 [102/127]	.25 [6.4]	BANDERA
COLOR	LONGITUD	TERMINAL O LONGITUD DE DESFORRE	

CARCASA - LOC	ENCERRADO
TAPA - LOC	ENCERRADO
CARCASA - LC	ENCERRADO
TAPA - LC	ENCERRADO

CLIENTE	DISTRIBUTION SERVICE
---------	----------------------

CURVAS DE FUNCIONAMIENTO	TORSION @ 1725 RPM (25°C)	MUESTRA APROBADA	COMPONENTE UL	CSA
C32728	14.3 OZ. FT.	0701171A	#ARCHIVO #CCN #	#ARCHIVO CLASE #
			E46412 PRGY2 LR43341	4211-01

CARACTERISTICAS DE GEOMETRIA Y SIMBOLOS

- PLANICIDAD
- RECTITUD
- ∠ ANGULARIDAD
- ⊥ PERPENDICULARIDAD (A ESCUADRA)
- // PARALELISMO
- REDONDEZ (CIRCULARIDAD)
- ⊘ CILINDRICIDAD
- △ PERFIL DE CUALQUIER SUPERFICIE
- ∩ PERFIL DE CUALQUIER LINEA
- ∧ VARIACION
- ⊕ POSICION REAL
- ⊙ CONCENTRICIDAD
- ≡ SIMETRIA

ASME Y14.5M 1994

REGAL-BELOIT CORPORATION (RBC) PROVEE ASISTENCIA TECNICA A NUESTROS CLIENTES EN VARIAS AREAS. DESDE QUE RBC NO RECIBE TODOS LOS DATOS EN RELACION AL USO Y A LA APLICACION DEL MOTOR, LA APLICACION ADECUADA DEL MOTOR DEBE SER DETERMINADA POR EL CLIENTE.

DIMENSIONES SIN TOLERANCIA SON DE REFERENCIA SOLAMENTE

DIBUJADO POR: ZHU HONG 07-10-2007

APROBADO POR: TR 02-25-2008

TERCER ANGULO DE PROYECCION

FECHA EDS: 11-11-2011

REV. FORMATO: G

CONFIDENCIAL: ESTE DIBUJO Y SU INFORMACION SON PROPIEDAD DE USO EXCLUSIVO Y CONFIDENCIAL DE REGAL-BELOIT CORPORATION. Y NO DEBERAN SER REVELADOS, DUPLICADOS, DISTRIBUIDOS O USARSE DE OTRA MANERA SIN EL CONSENTIMIENTO ESCRITO DE REGAL-BELOIT CORPORATION. -TODOS LOS DERECHOS RESERVADOS.

DESCRIPCION: MODEL-RFHP-48FR OUTLINE

TAMAÑO: C NUMERO DE DIBUJO: 9451A

ESCALA: NONE HOJA: 1

4

3

2

1

4

3

2

1

总技术要求:

轴跳动: .001[.03]/1[25.4]外伸轴

轴承: 球轴承

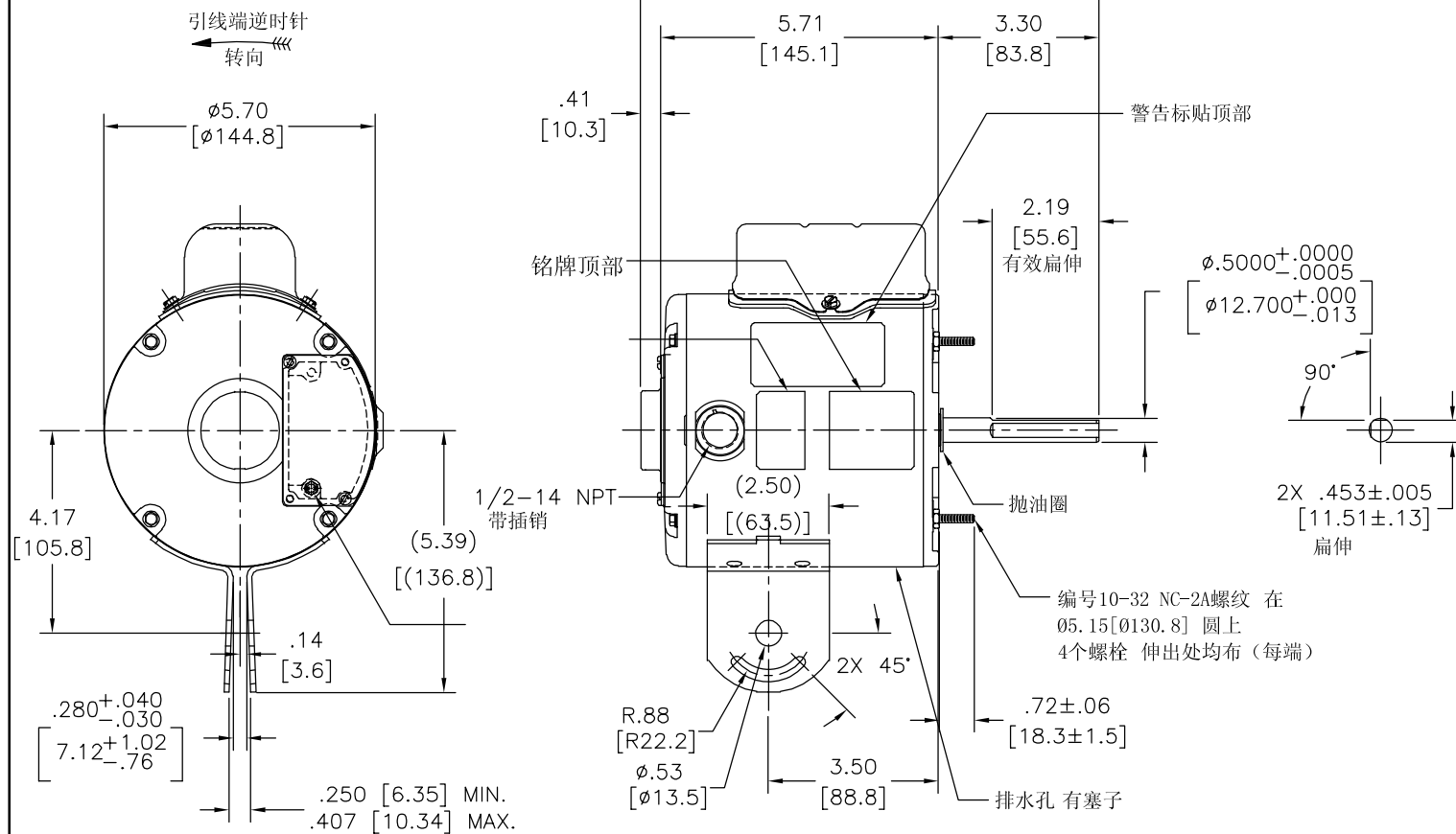
安装位置: 全方位

电气数据:

过载保护: 自动复位 (T.I. 7AM 036)

引线: 18# (美制标准), 厚.03[.8] XLP 125° C 绝缘

版本	ECO	编制	日期	批准	日期
E	0025529	J.M.RAMIREZ	04-24-2012	R.RASCON	04-24-2012



铭牌数据	外部数据线
MODEL NO.: F48Z61A01 CUST. P/N: 9451A HP: 1/4 ROT.: CCWLE RPM: 1725 TYPE: UF FRAME: 48Y VOLTS: 115/230 PH: 1 AMPS: 3.6/1.8 HZ: 60 INS.: B AMB.: 40° C DUTY: AIR OVER CAP.: 5 MFD/370 V ENCL: ENCLOSED UL LOGO CSA LOGO THERMALLY PROTECTED	<p>BROWN ——— SEP. CAP.</p> <p>BROWN ——— ⊕</p> <p>ORANGE ——— L2</p> <p>BLUE ——— B</p> <p>WHITE ——— A</p> <p>BLACK ——— A</p> <p>RED ——— L1</p> <p>HIGH VOLTS</p> <hr/> <p>BROWN ——— SEP. CAP.</p> <p>BROWN ——— ⊕</p> <p>ORANGE ——— L2</p> <p>BLUE ——— A</p> <p>BLACK ——— A</p> <p>WHITE ——— L1</p> <p>RED ——— L1</p> <p>LOW VOLTS</p>

颜色	长度	端子或剥线长度
棕	CONNECTED TO CAPACITOR	.25 [6.4] 旗形插
棕	CONNECTED TO CAPACITOR	.25 [6.4] 旗形插
橙	4.0/5.0 [102/127]	.25 [6.4] 旗形插
蓝	4.0/5.0 [102/127]	.25 [6.4] 旗形插
白	4.0/5.0 [102/127]	.25 [6.4] 旗形插
黑	4.0/5.0 [102/127]	.25 [6.4] 旗形插
红	4.0/5.0 [102/127]	.25 [6.4] 旗形插

无引线端机壳	密封
无引线端端盖	密封
有引线端机壳	密封
有引线端端盖	密封

用户	DISTRIBUTION SERVICE
----	----------------------

性能曲线编号	转矩在 @ 1725 RPM (25° C)	批准样品	UL部件	CSA
C32728	14.3 OZ. FT.	0701171A	文件号 指南	文件号 指南
		E46412 PRGY2	LR43341	4211-01

- 形位公差
- 平面度
- 直线度
- ∠ 倾斜度
- ⊥ 垂直度
- // 平行度
- 圆度
- ⊘ 圆柱度
- ⊖ 面轮廓度
- ⊖ 线轮廓度
- ↗ 圆跳动
- ⊕ 位置度
- ⊙ 同轴度
- ≡ 对称度

ASME Y14.5M 1994

REGAL-BELOIT CORPORATION (RBC) 在个别领域为客户提供技术支持。鉴于RBC未收到任何涉及电机使用和应用环境的数据, 电机的适用性由客户自己决定。

未注公差尺寸仅供参考。

绘图:	ZHU HONG	07-10-2007
批准:	TR	02-25-2008
第三角投影		图纸格式发布日期 11-11-2011 图纸格式版本 G
机密:	本图纸及相关信息所有权归REGAL-BELOIT CORPORATION。未经REGAL-BELOIT CORPORATION书面授权, 不得泄露、复制、传播或作其他用途。一版权所有	

名称	MODEL-RFHP-48FR OUTLINE
图幅	C
图号	9451A
比例	NONE
页号	1

4

3

2

1