

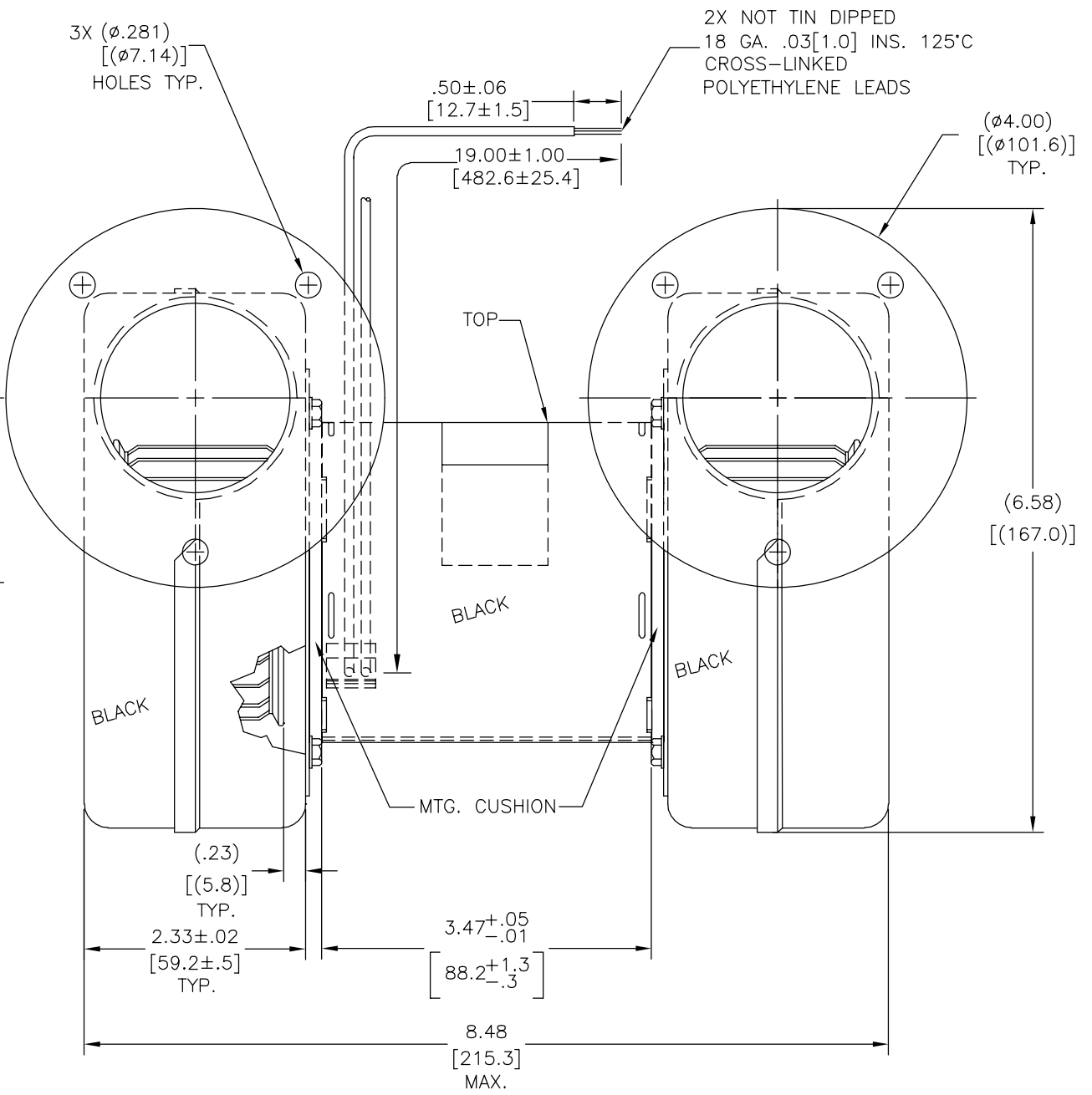
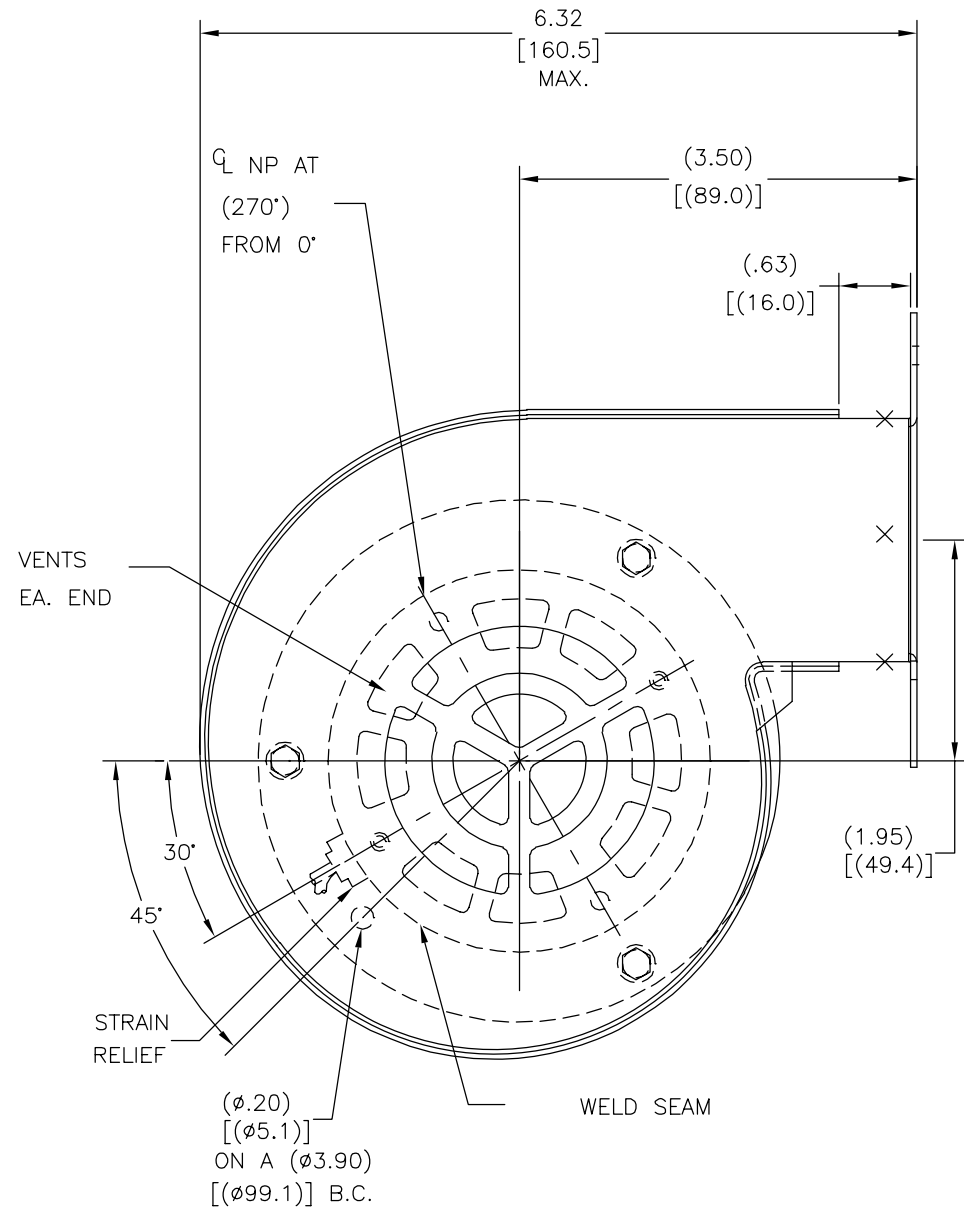
REV	ECO	REV BY	DATE	APPD	DATE
M	0027416	H.REN	07-17-2012	B.SHEN	07-17-2012

CUSTOMER IS SOLELY RESPONSIBLE FOR MOTOR PERFORMANCE AND SUITABILITY IN APPLICATIONS FOR CUSTOMER'S USES

END PLAY .04[1.0] MAX.

JA1C181NS"

JA1C181NS"



NAMEPLATE DATA:



THERMALLY PROTECTED

Tipp City, OH

SER. DATE, PLT MTR MOD JA1C181NS"
 120V 60HZ .8A 3100RPM 1/55HP CONT. A.O.
 CLASS B INS. MAX. AMB. 40°C CFM-120
 1PH CWLE STOCK #9445 ASSEMBLED IN MEXICO

AFTERMARKET CWLE BOM CHG [K]

ELECTRICALLY PER SAMPLE S-1072F

GEOMETRIC CHARACTERISTICS & SYMBOLS	
	FLATNESS
	STRAIGHTNESS
	ANGULARITY
	PERPENDICULARITY (SQUARENESS)
	PARALLELISM
	ROUNDNESS (CIRCULARITY)
	CYLINDRICITY
	PROFILE OF ANY SURFACE
	PROFILE OF ANY LINE
	RUNOUT
	TRUE POSITION
	CONCENTRICITY
	SYMMETRY

UNLESS OTHERWISE SPECIFIED DIM. TOLERANCES ARE AS FOLLOWS:
 INCH X XX XXX XXXX
 ±.1 ±.02 ±.005 ±.0005
 mm ±0.5 ±0.13 ±0.013
 ANG. ±.50 DEG
 REMOVE BURRS & BREAK SHARP EDGES:
 INCH .003-.015 mm 0.1-0.4
 CORNER FILLETS TO:
 INCH .020 mm 0.5
 MACHINE SURFACES:
 INCH 125 mm 3.2
 METRIC DIMS. SHOWN IN [BRACKETS]

DR BY: TR
 APPD: .
 THIRD ANGLE PROJECTION
 EDS DATE 11-11-2011
 FORMAT REV H
 CONFIDENTIAL: THIS DRAWING AND ITS INFORMATION ARE THE EXCLUSIVE AND CONFIDENTIAL PROPERTY OF REGAL-BELOIT CORPORATION AND ARE NOT TO BE DISCLOSED, DUPLICATED, DISTRIBUTED OR OTHERWISE USED WITHOUT THE WRITTEN CONSENT OF REGAL-BELOIT CORPORATION. -ALL RIGHTS RESERVED.

REGAL-BELOIT CORPORATION	
DESCRIPTION MODEL-SFHP-BLOWER OUTLINE	
SIZE C	DWG NO JA1C181
SCALE NONE	SHEET 1

A

A

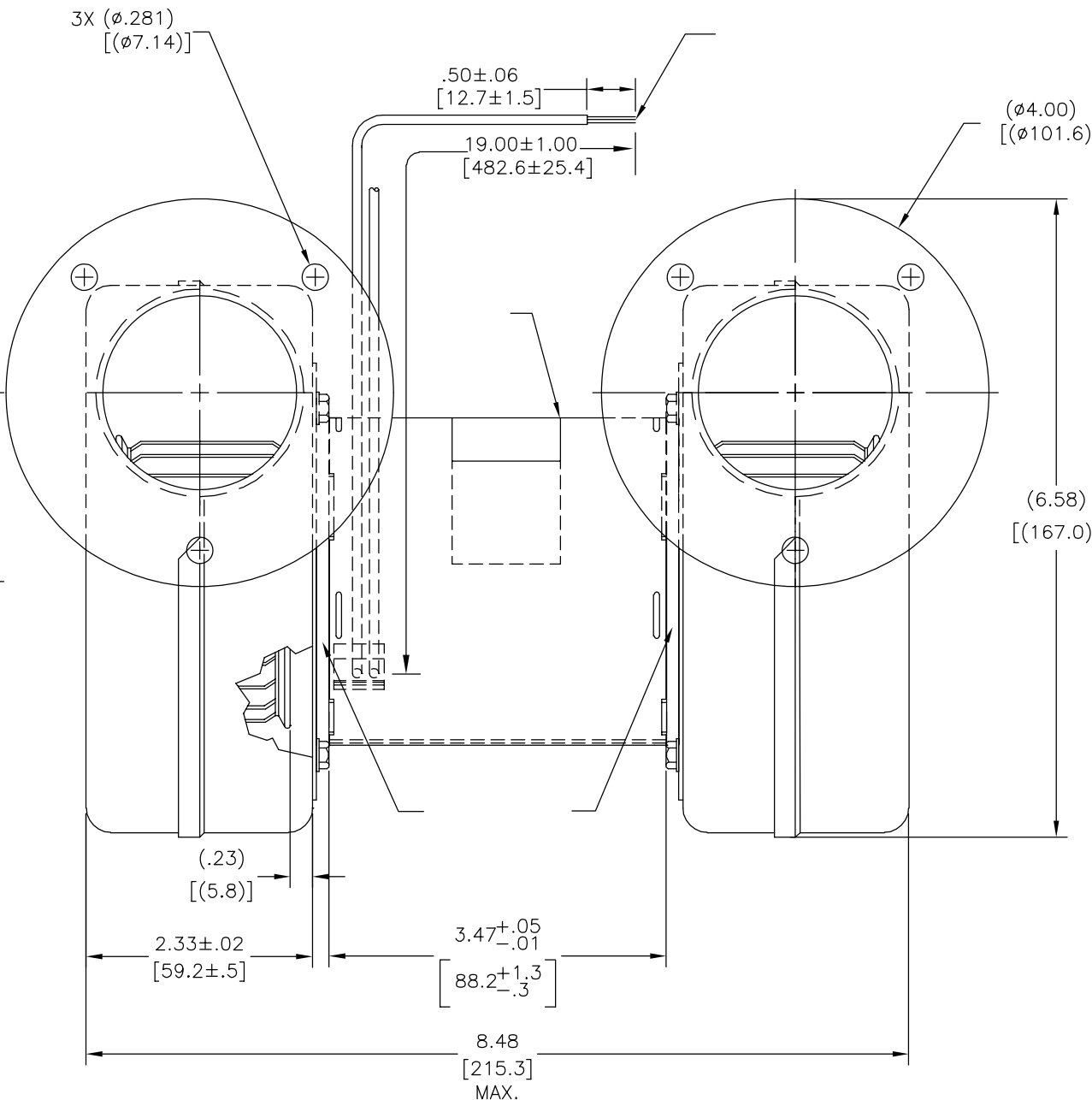
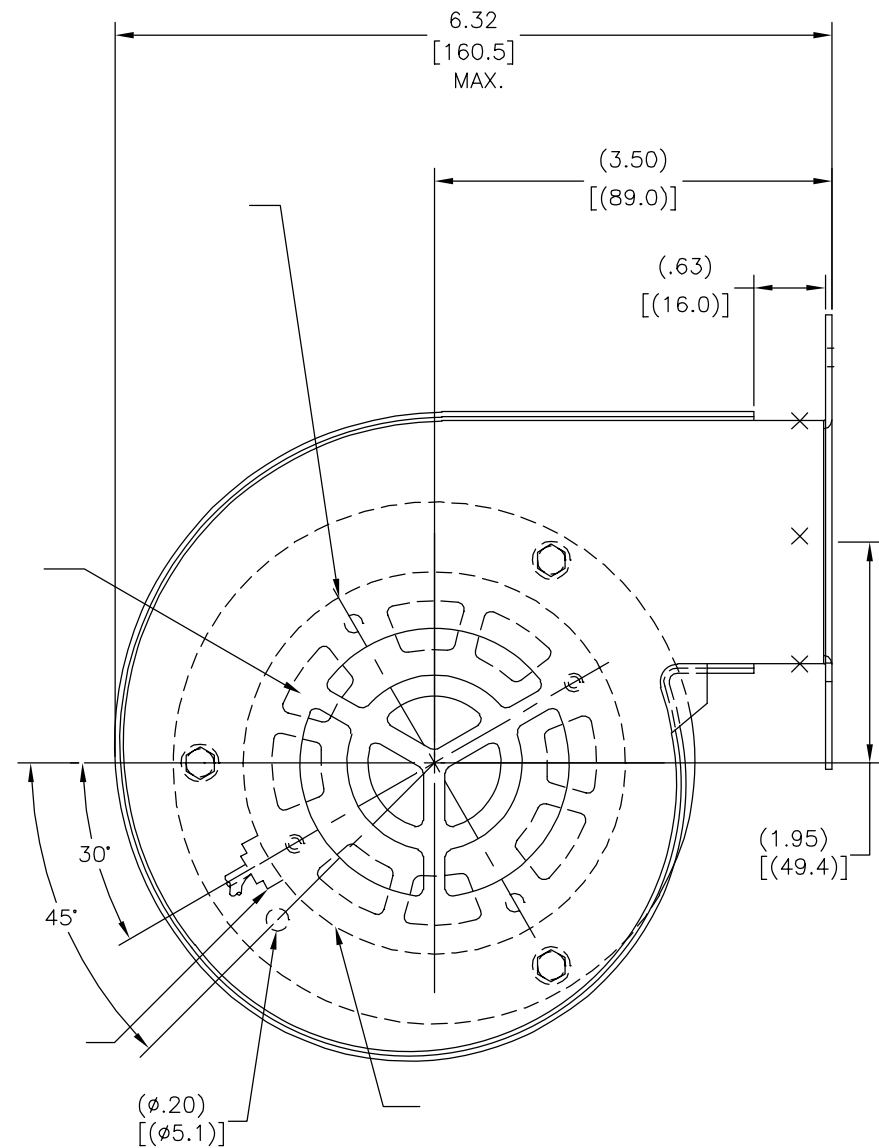
4

3

2

1

REVISION:	ECO	REVISADO POR:	FECHA:	APROBADO POR:	FECHA:
M	0027416	H.REN	07-17-2012	B.SHEN	07-17-2012



THERMALLY PROTECTED

Tipp City, OH



SER.DATE, PLT MTR MOD JA1C181NS"
 120V 60HZ .8A 3100RPM 1/55HP CONT. A.O.
 CLASS B INS. MAX. AMB. 40°C CFM-120
 1PH CWLE STOCK #9445 ASSEMBLED IN MEXICO

AFTERMARKET CWLE BOM CHG [K]

CARACTERISTICAS DE GEOMETRIA Y SIMBOLOS
 ▽ PLANICIDAD
 - RECTITUD
 < ANGULARIDAD
 ⊥ PERPENDICULARIDAD (A ESCUADRA)
 // PARALELISMO
 ○ REDONDEZ (CIRCULARIDAD)
 ∅ CILINDRICIDAD
 △ PERFIL DE CUALQUIER SUPERFICIE
 ▲ PERFIL DE CUALQUIER LINEA
 / VARIACION
 ⊕ POSICION REAL
 ⊙ CONCENTRICIDAD
 = SIMETRIA

A MENOS QUE SE ESPECIFIQUE DE OTRA MANERA, LAS TOLERANCIAS DE LAS DIMS; SON LAS SIGUIENTES:
 PULG ±.1 ±.02 ±.005 ±.0005
 mm ±0.5 ±0.13 ±0.013
 ANG. ± 50 GRADOS
 ELIMINAR REBABAS Y ORILLAS FILOSAS DEL BORDE.
 PULG .003-.015 mm 0.1-0.4
 FILETEAR ESQUINA: PULG .020 mm 0.5
 MAQUINAR SUPERFICIES
 PULG 125 mm .32

DIBUJADO POR: TR
 APROBADO POR:
 TERCER ANGULO DE PROYECCION
 FECHA EDS: 11-11-2011
 REV. FORMATO: H
 CONFIDENCIAL: ESTE DIBUJO Y SU INFORMACION SON PROPIEDAD DE USO EXCLUSIVO Y CONFIDENCIAL DE REGAL-BELOIT CORPORATION. Y NO DEBERAN SER REVELADOS, DUPLICADOS, DISTRIBUIDOS O USARSE DE OTRA MANERA SIN EL CONSENTIMIENTO ESCRITO DE REGAL-BELOIT CORPORATION. -TODOS LOS DERECHOS RESERVADOS.

REGAL REGAL-BELOIT CORPORATION
 DESCRIPCION: MODEL-SFHP-BLOWER OUTLINE
 TAMAÑO: C NUMERO DE DIBUJO: JA1C181
 ESCALA: NONE HOJA: 1

ASME Y14.5M 1994

DIMS METRICAS MOSTRADAS [PARENTESIS]

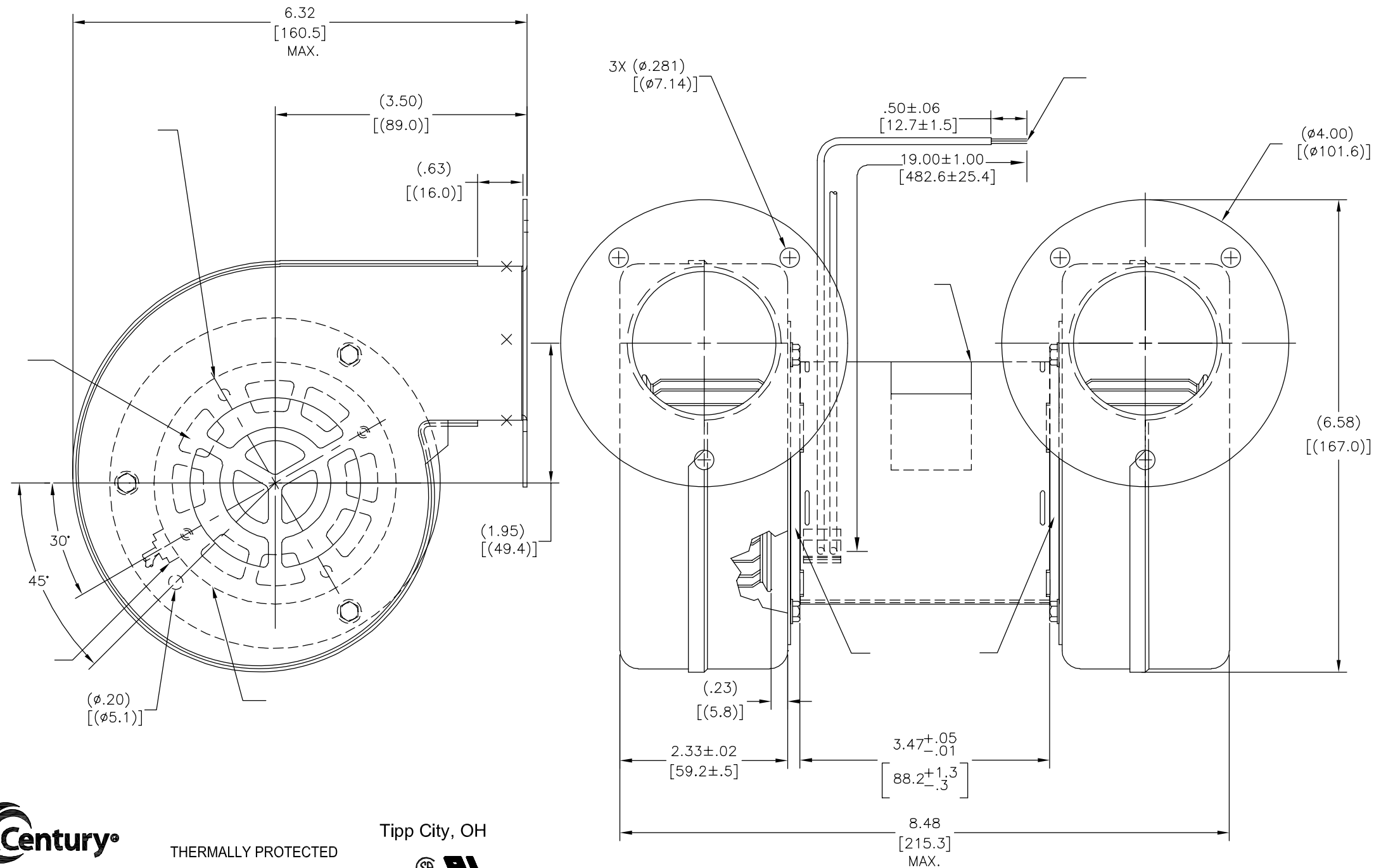
4

3

2

1

版本	ECO	编制	日期	批准	日期
M	0027416	H.REN	07-17-2012	B.SHEN	07-17-2012



THERMALLY PROTECTED

Tipp City, OH

SER.DATE, PLT MTR MOD JA1C181NS"
 120V 60HZ .8A 3100RPM 1/55HP CONT. A.O.
 CLASS B INS. MAX. AMB. 40°C CFM-120
 1PH CWLE STOCK #9445 ASSEMBLED IN MEXICO

AFTERMARKET CWLE BOM CHG [K]

形位公差	除另有注明
□ 平面度	尺寸公差如下:
— 直线度	英寸 X XX XXX XXXX
∠ 倾斜度	英寸 ±.1 ±.02 ±.005 ±.0005
⊥ 垂直度	毫米 ±0.5 ±0.13 ±0.013
∥ 平行度	角度 ±.50 度
○ 圆度	清理毛刺和尖棱
⊘ 圆柱度	英寸 .003-.015 毫米 0.1-0.4
△ 面轮廓度	内圆角
∩ 线轮廓度	英寸 .020 毫米 0.5
∧ 圆跳动	表面粗糙度
⊕ 位置度	英制 125 米制 3.2
⊙ 同轴度	米制尺寸显示在 []
≡ 对称度	

ASME Y14.5M 1994

绘图:	TR
批准:	
第三角投影	
机密: 本图纸及相关信息所有权归REGAL-BELOIT CORPORATION	未经REGAL-BELOIT CORPORATION书面授权, 不得泄露、复制、传播或作其他用途。—版权所有

REGAL-BELOIT CORPORATION	
名称	MODEL-SFHP-BLOWER OUTLINE
图幅	C
图号	JA1C181
比例	NONE
页号	1

4

3

2

1