

4

3

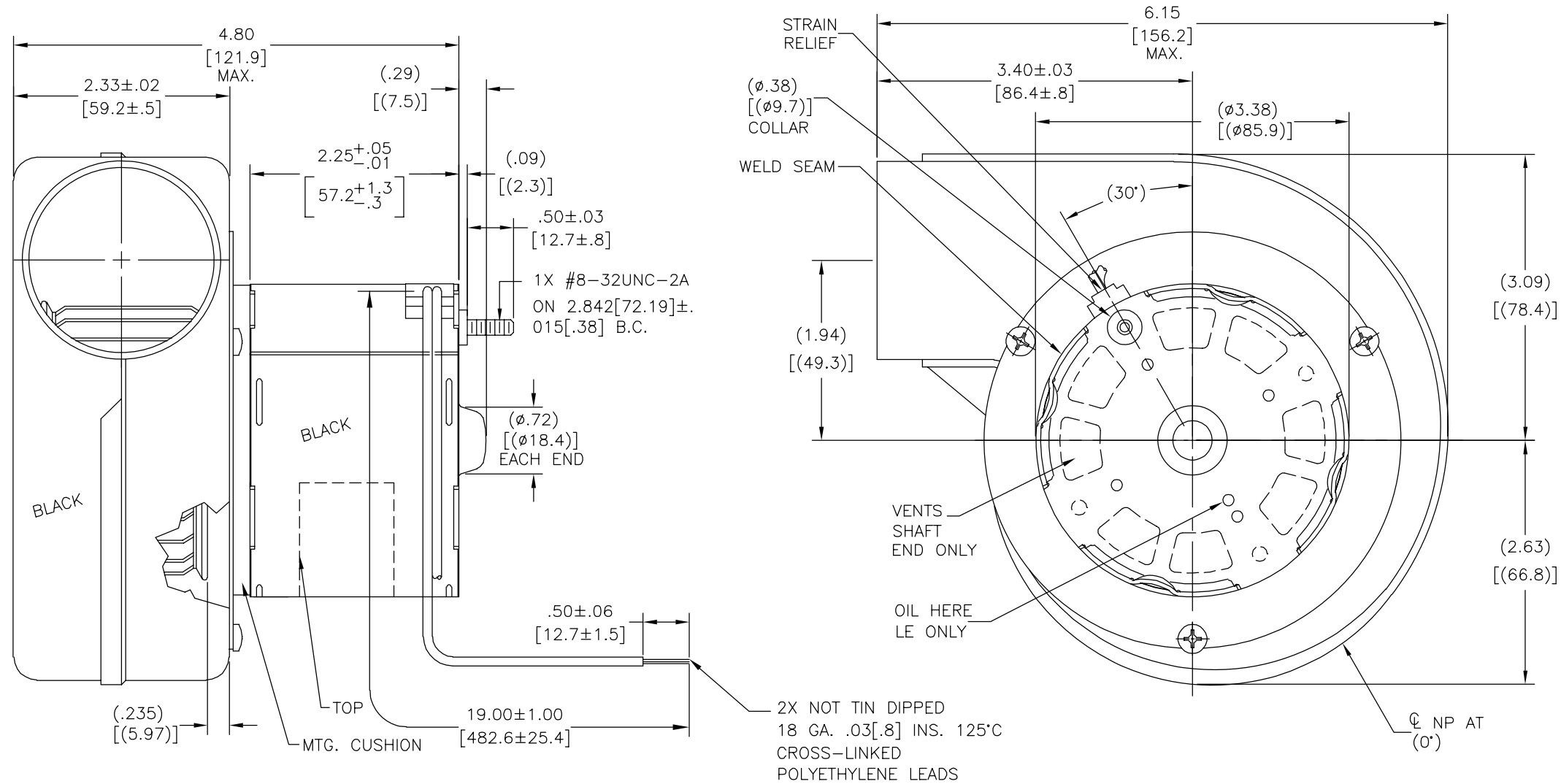
2

1

REV	ECO	REV BY	DATE	APPD	DATE
N	0027416	H.REN	07-17-2012	B.SHEN	07-17-2012

CUSTOMER IS SOLELY RESPONSIBLE FOR MOTOR PERFORMANCE AND SUITABILITY IN APPLICATIONS FOR CUSTOMER'S USES

END PLAY .04[1.0] MAX.



NAMEPLATE DATA:



THERMALLY PROTECTED

Tipp City, OH



SER.DATE, PLT MTR MOD JA1C183NS"
 115V 60HZ .6A 3000RPM 1/100HP A.O. CONT
 CLASS B INS. MAX. AMB. 40°C CFM-60
 CWSE STOCK NO. 9444 ASSEMBLED IN MEXICO

ELECTRICALLY PER SAMPLE S-1071F

CCWLE-CWSE

BOM CHANGE [L]

AFTERMARKET

GEOMETRIC CHARACTERISTICS & SYMBOLS	
▭	FLATNESS
—	STRAIGHTNESS
∠	ANGULARITY
⊥	PERPENDICULARITY (SQUARENESS)
//	PARALLELISM
○	ROUNDNESS (CIRCULARITY)
∅	CYLINDRICITY
△	PROFILE OF ANY SURFACE
∩	PROFILE OF ANY LINE
↗	RUNOUT
⊕	TRUE POSITION
◎	CONCENTRICITY
≡	SYMMETRY
ASME Y14.5M 1994	

UNLESS OTHERWISE SPECIFIED DIM. TOLERANCES ARE AS FOLLOWS:	
INCH	X XX XXX XXXX
	±.1 ±.02 ±.005 ±.0005
mm	±0.5 ±0.13 ±0.013
ANG. ±.50 DEG	
REMOVE BURRS & BREAK SHARP EDGES:	
INCH	.003-.015 mm 0.1-0.4
CORNER FILLETS TO:	
INCH	.020 mm 0.5
MACHINE SURFACES:	
INCH	125 mm 3.2
METRIC DIMS. SHOWN IN [BRACKETS]	

DR BY:	EMD
APPD:	
THIRD ANGLE PROJECTION	EDS DATE 11-11-2011 FORMAT REV H
CONFIDENTIAL: THIS DRAWING AND ITS INFORMATION ARE THE EXCLUSIVE AND CONFIDENTIAL PROPERTY OF REGAL-BELOIT CORPORATION AND ARE NOT TO BE DISCLOSED, DUPLICATED, DISTRIBUTED OR OTHERWISE USED WITHOUT THE WRITTEN CONSENT OF REGAL-BELOIT CORPORATION. -ALL RIGHTS RESERVED.	

REGAL REGAL-BELOIT CORPORATION	
DESCRIPTION MODEL-SFHP-BLOWER OUTLINE	
SIZE C	DWG NO JA1C183
SCALE NONE	SHEET 1

4

3

2

1

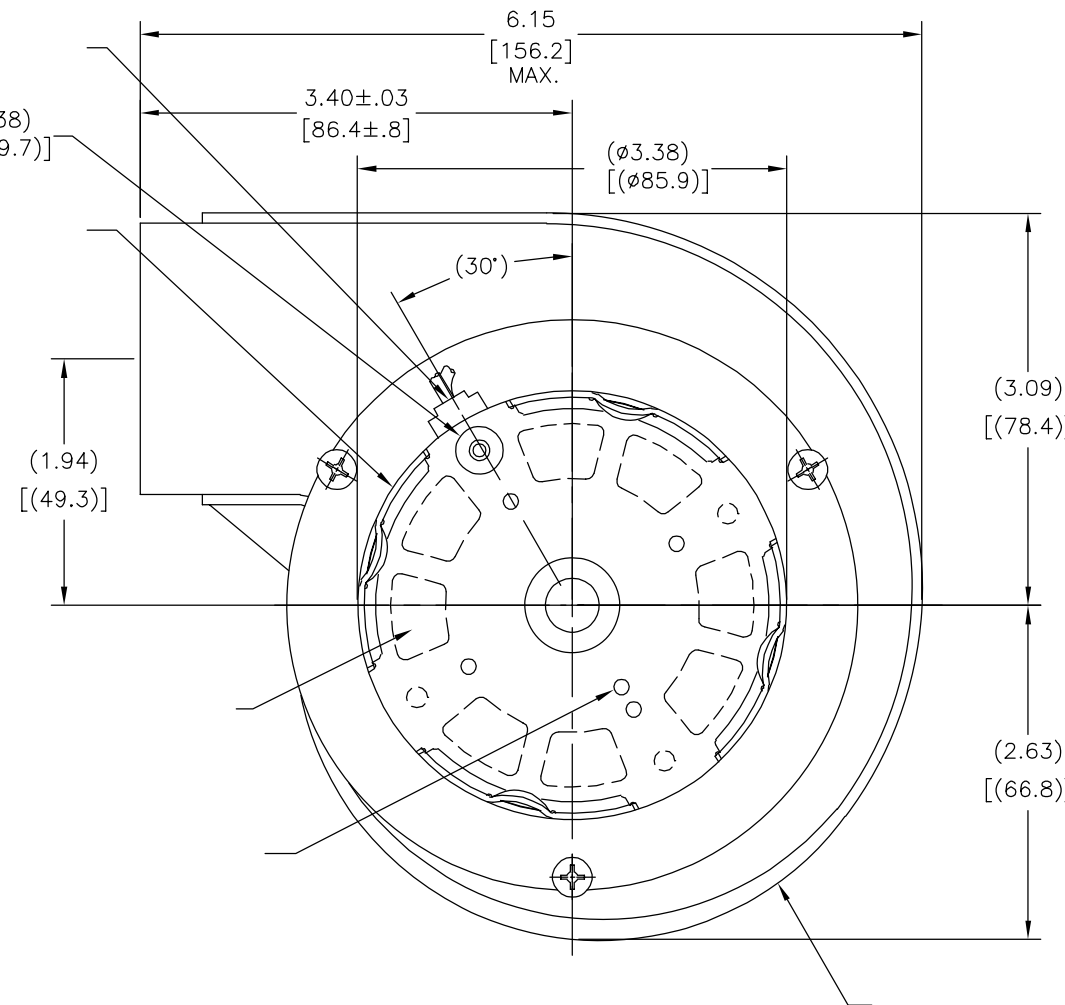
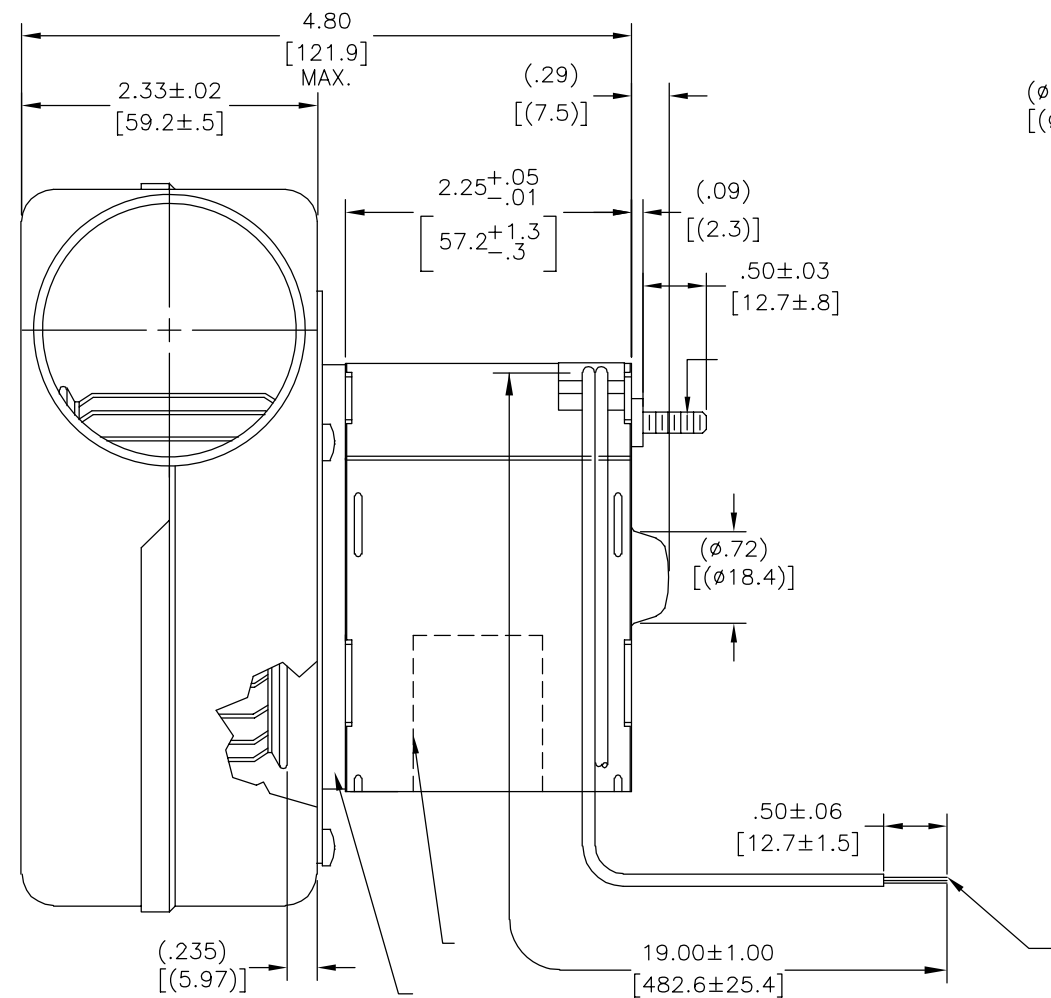
JA1C183NS

JA1C183NS

A

A

REVISION:	ECO	REVISADO POR:	FECHA:	APROBADO POR:	FECHA:
N	0027416	H.REN	07-17-2012	B.SHEN	07-17-2012



JA1C183NS

JA1C183NS



THERMALLY PROTECTED

Tipp City, OH



SER.DATE, PLT MTR MOD JA1C183NS
 115V 60HZ .6A 3000RPM 1/100HP A.O. CONT
 CLASS B INS. MAX. AMB. 40°C CFM-60
 CWSE STOCK NO. 9444 ASSEMBLED IN MEXICO

CCWLE-CWSE BOM CHANGE [L]

AFTERMARKET

CARACTERISTICAS DE GEOMETRIA Y SIMBOLOS
 ▽ PLANICIDAD
 - RECTITUD
 < ANGULARIDAD
 ⊥ PERPENDICULARIDAD (A ESQUADRA)
 // PARALELISMO
 ○ REDONDEZ (CIRCULARIDAD)
 ∅ CILINDRICIDAD
 △ PERFIL DE CUALQUIER SUPERFICIE
 ∩ PERFIL DE CUALQUIER LINEA
 ↗ VARIACION
 ⊕ POSICION REAL
 ⊙ CONCENTRICIDAD
 = SIMETRIA

A MENOS QUE SE ESPECIFIQUE DE OTRA MANERA, LAS TOLERANCIAS DE LAS DIMS; SON LAS SIGUIENTES:
 PULG ±.1 ±.02 ±.005 ±.0005
 mm ±0.5 ±0.13 ±0.013
 ANG. ± 50 GRADOS
 ELIMINAR REBABAS Y ORILLAS FILOSAS DEL BORDE.
 PULG .003-.015 mm 0.1-0.4
 FILETEAR ESQUINA: PULG .020 mm 0.5
 MAQUINAR SUPERFICIES
 PULG 125 mm 3.2

DIBUJADO POR: EMD
 APROBADO POR:
 TERCER ANGULO DE PROYECCION
 FECHA EDS: 11-11-2011
 REV. FORMATO: H
 CONFIDENCIAL: ESTE DIBUJO Y SU INFORMACION SON PROPIEDAD DE USO EXCLUSIVO Y CONFIDENCIAL DE REGAL-BELOIT CORPORATION. Y NO DEBERAN SER REVELADOS, DUPLICADOS, DISTRIBUIDOS O USARSE DE OTRA MANERA SIN EL CONSENTIMIENTO ESCRITO DE REGAL-BELOIT CORPORATION. -TODOS LOS DERECHOS RESERVADOS.

REGAL REGAL-BELOIT CORPORATION
 DESCRIPCION: MODEL-SFHP-BLOWER OUTLINE
 TAMAÑO: C NUMERO DE DIBUJO: JA1C183
 ESCALA: NONE HOJA: 1

D
C
B
A

D
C
B
A

4

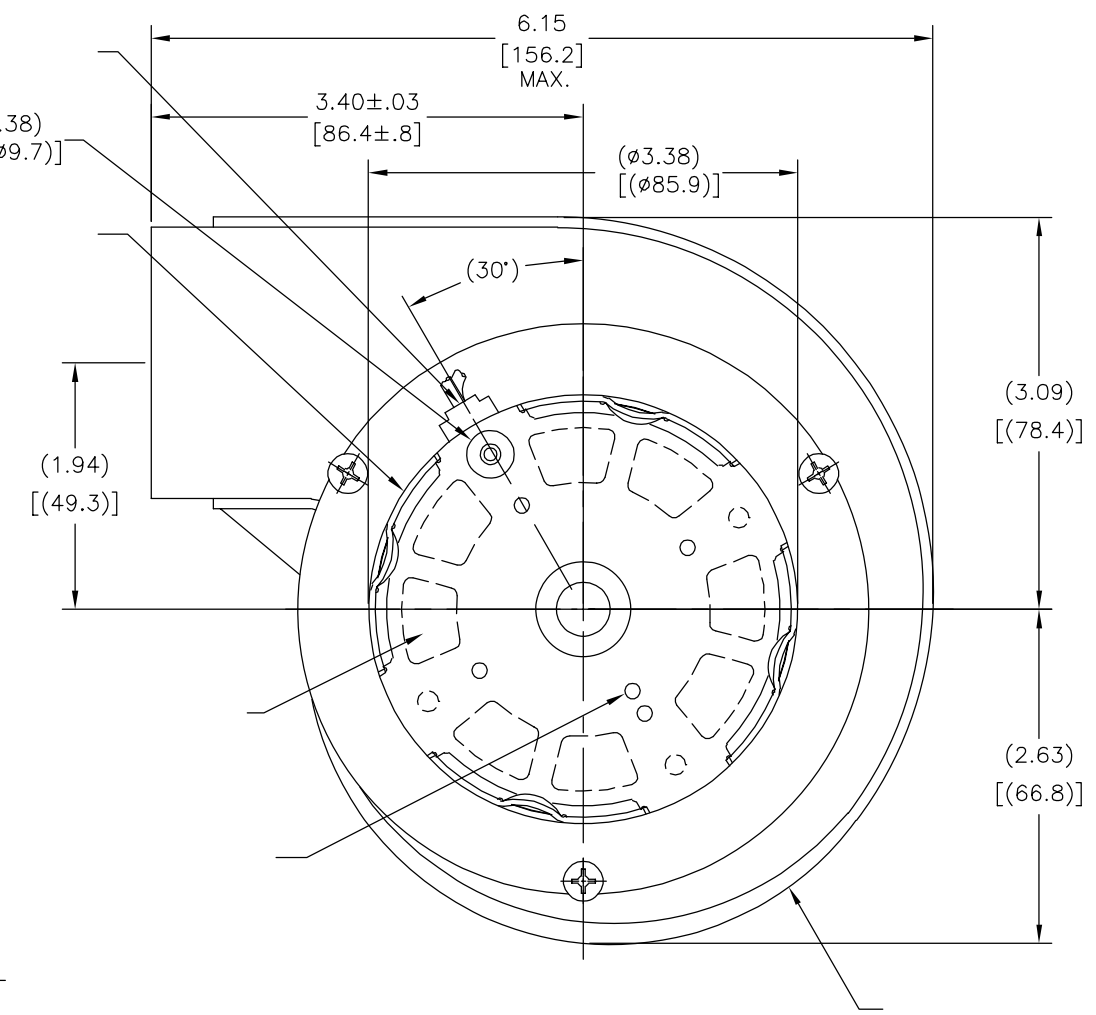
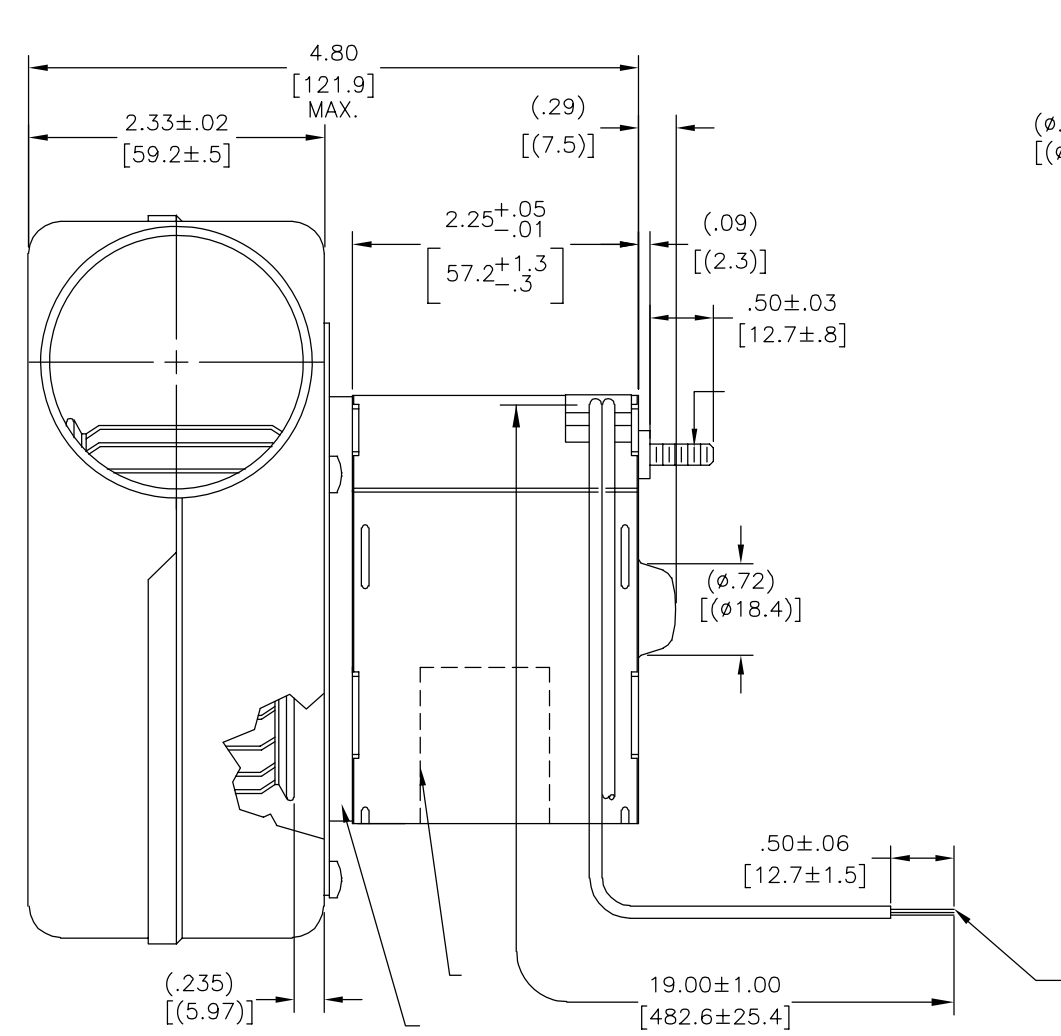
3

2

1

4 3 2 1

版本	ECO	编制	日期	批准	日期
N	0027416	H.REN	07-17-2012	B.SHEN	07-17-2012



JA1C183NS

JA1C183NS



THERMALLY PROTECTED

Tipp City, OH



SER.DATE, PLT MTR MOD JA1C183NS
 115V 60HZ .6A 3000RPM 1/100HP A.O. CONT
 CLASS B INS. MAX. AMB. 40°C CFM-60
 CWSE STOCK NO. 9444 ASSEMBLED IN MEXICO

CCWLE-CWSE BOM CHANGE [L]

AFTERMARKET

形位公差 □ 平面度 — 直线度 < 倾斜度 ⊥ 垂直度 // 平行度 ○ 圆度 ∅ 圆柱度 △ 面轮廓度 ⊖ 线轮廓度 ↗ 圆跳动 ⊕ 位置度 ⊙ 同轴度 ≡ 对称度	除另有注明 尺寸公差如下: 英寸 X XX XXX XXXX ±.1 ±.02 ±.005 ±.0005 毫米 ±0.5 ±0.13 ±0.013 角度 ±.50 度 清理毛刺和尖棱 英寸 .003-.015 毫米 0.1-0.4 内圆角 英寸 .020 毫米 0.5 表面粗糙度 英制 125 米制 3.2
---	---

ASME Y14.5M 1994 米制尺寸显示在 []

绘图: EMD	批准:
第三角投影	图纸格式发布日期 11-11-2011 图纸格式版本 H
机密: 本图纸及相关信息所有权归REGAL-BELOIT CORPORATION. 未经REGAL-BELOIT CORPORATION书面授权, 不得泄露、复制、传播或作其他用途。一版权所有	

REGAL REGAL-BELOIT CORPORATION	
名称 MODEL-SFHP-BLOWER OUTLINE	
图幅 C	图号 JA1C183
比例 NONE	页号 1

4 3 2 1