

4

3

2

1

CUSTOMER IS SOLELY RESPONSIBLE FOR MOTOR PERFORMANCE AND SUITABILITY IN APPLICATIONS FOR CUSTOMER'S USES

REV	ECO	REV BY	DATE	APPD	DATE
J	0027416	H.REN	07-17-2012	B.SHEN	07-17-2012

D

D

C

C

B

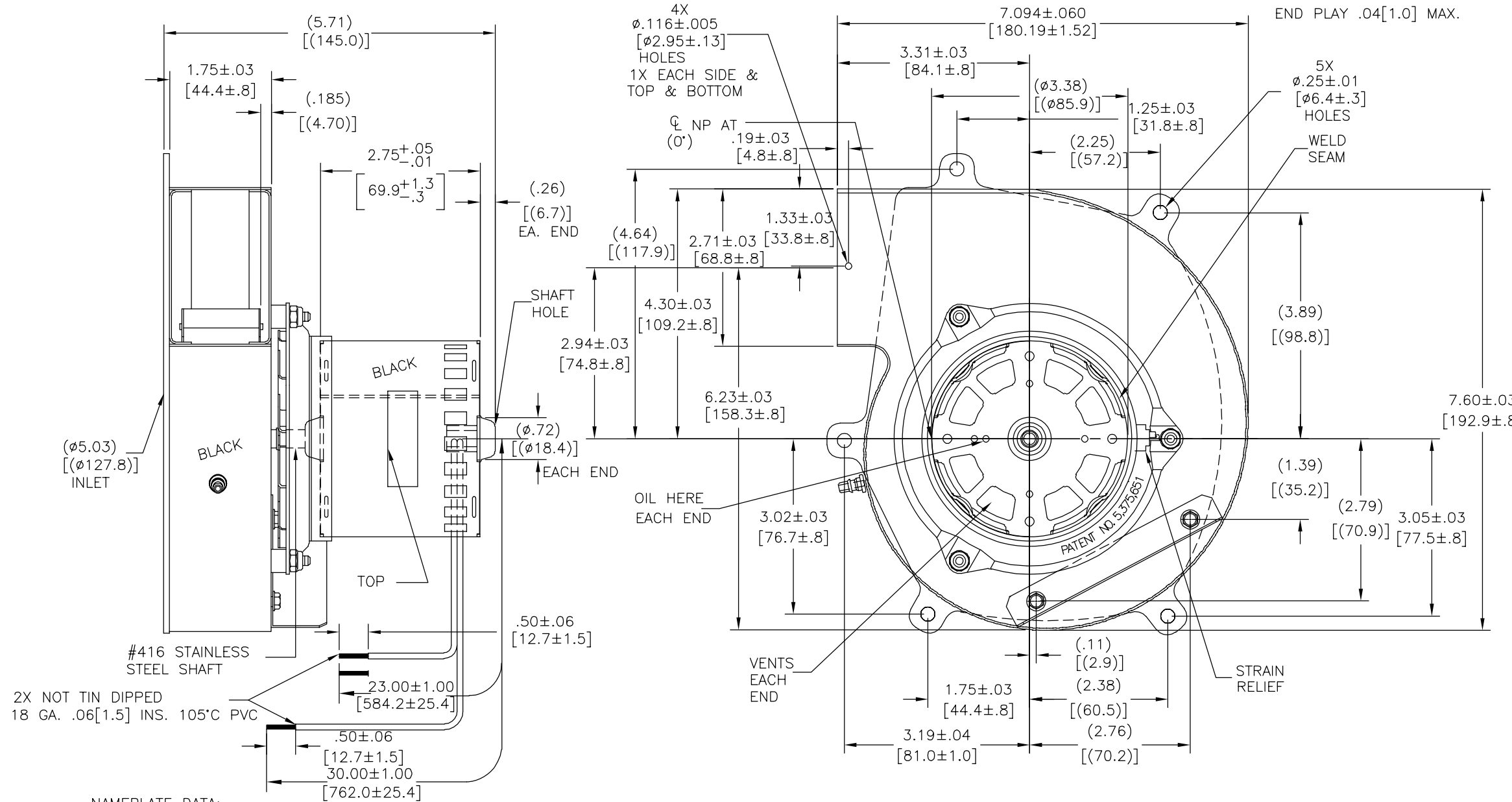
B

A

A

JA1M220N'

JA1M220N'



NAMEPLATE DATA:



THERMALLY PROTECTED

Tipp City, OH



SER. DAT PO,PLT MTR MOD JA1M220N'  
 115V 60HZ 1.1A 2975RPM 1/50HP A.O. CCWLE  
 CLASS B INS. MAX. AMB. 40°C STOCK NO. 9438  
 ASSEMBLED IN MEXICO

ELECTRICALLY PER  
 SAMPLE S-823F

CCWLE-CWSE	CHG. (G)
------------	----------

AFTERMARKET

GEOMETRIC CHARACTERISTICS & SYMBOLS	
▭	FLATNESS
—	STRAIGHTNESS
∠	ANGULARITY
⊥	PERPENDICULARITY (SQUARENESS)
∥	PARALLELISM
○	ROUNDNESS (CIRCULARITY)
⊘	CYLINDRICITY
△	PROFILE OF ANY SURFACE
∧	PROFILE OF ANY LINE
↗	RUNOUT
⊕	TRUE POSITION
◎	CONCENTRICITY
≡	SYMMETRY

UNLESS OTHERWISE SPECIFIED DIM. TOLERANCES ARE AS FOLLOWS:	
INCH	±.1 ±.02 ±.005 ±.0005
mm	±0.5 ±0.13 ±0.013
ANG. ±.50 DEG	
REMOVE BURRS & BREAK SHARP EDGES:	
INCH	.003-.015 mm 0.1-0.4
CORNER FILLETS TO:	
INCH	.020 mm 0.5
MACHINE SURFACES:	
INCH	125 mm 3.2
METRIC DIMS. SHOWN IN [BRACKETS]	

DR BY:	AS
APPD:	
THIRD ANGLE PROJECTION	EDS DATE 11-11-2011 FORMAT REV H
CONFIDENTIAL: THIS DRAWING AND ITS INFORMATION ARE THE EXCLUSIVE AND CONFIDENTIAL PROPERTY OF REGAL-BELOIT CORPORATION AND ARE NOT TO BE DISCLOSED, DUPLICATED, DISTRIBUTED OR OTHERWISE USED WITHOUT THE WRITTEN CONSENT OF REGAL-BELOIT CORPORATION. -ALL RIGHTS RESERVED.	

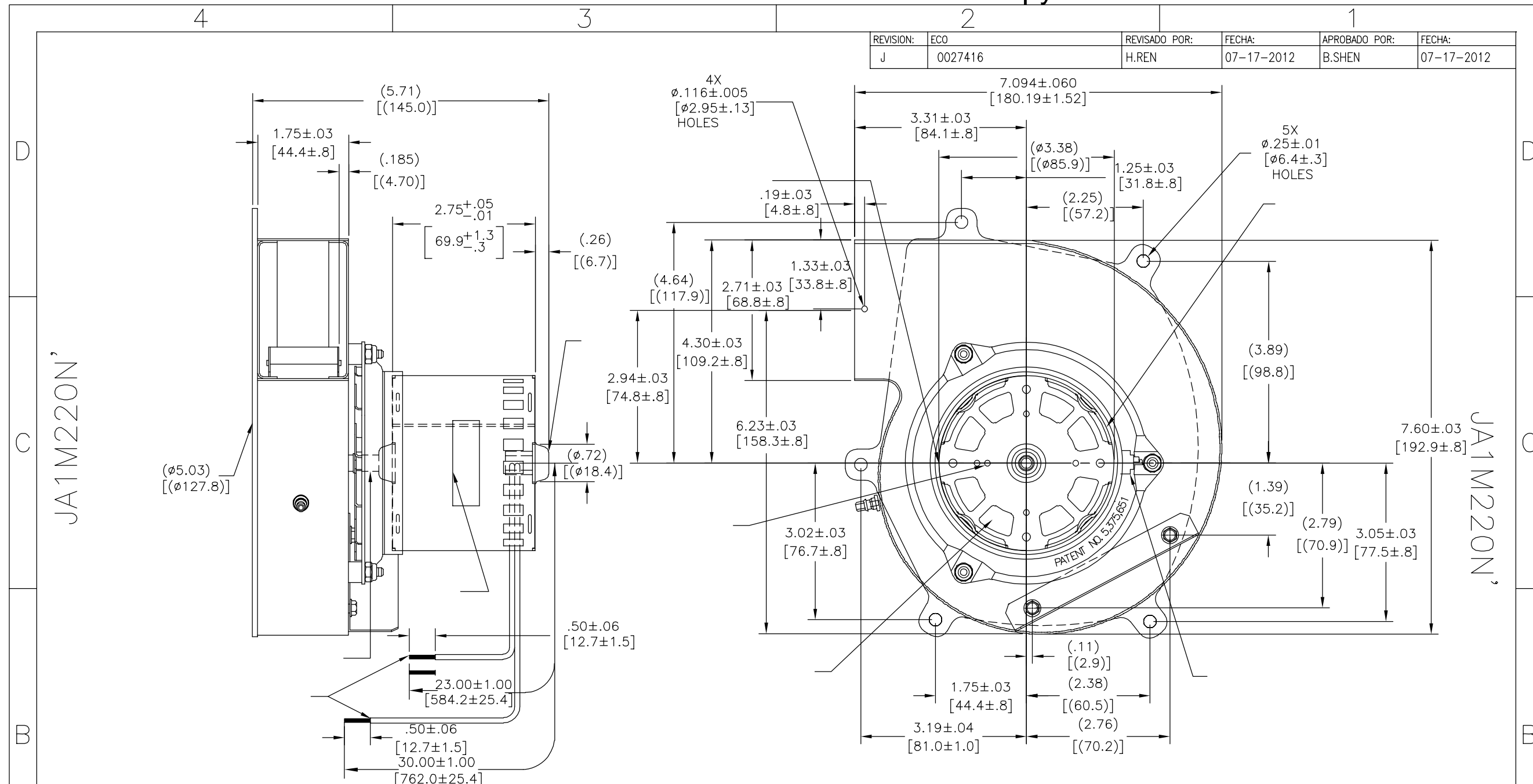
<b>REGAL</b> REGAL-BELOIT CORPORATION	
DESCRIPTION MODEL-SFHP-BLOWER OUTLINE	
SIZE C	DWG NO JA1M220
SCALE NONE	SHEET 1

4

3

2

1



REVISION:	ECO	REVISADO POR:	FECHA:	APROBADO POR:	FECHA:
J	0027416	H.REN	07-17-2012	B.SHEN	07-17-2012

JA1M220N'

JA1M220N'



THERMALLY PROTECTED

Tipp City, OH



SER. DAT PO,PLT MTR MOD JA1M220N'  
 115V 60HZ 1.1A 2975RPM 1/50HP A.O. CCWLE  
 CLASS B INS. MAX. AMB. 40°C STOCK NO. 9438  
 ASSEMBLED IN MEXICO

CCWLE-CWSE	CHG. (G)
------------	----------

AFTERMARKET

CARACTERISTICAS DE GEOMETRIA Y SIMBOLOS ▽ PLANICIDAD - RECTITUD < ANGULARIDAD ⊥ PERPENDICULARIDAD (A ESQUADRA) // PARALELISMO ○ REDONDEZ (CIRCULARIDAD) ∅ CILINDRICIDAD △ PERFIL DE CUALQUIER SUPERFICIE ▲ PERFIL DE CUALQUIER LINEA ↗ VARIACION ⊕ POSICION REAL ⊙ CONCENTRICIDAD = SIMETRIA	A MENOS QUE SE ESPECIFIQUE DE OTRA MANERA, LAS TOLERANCIAS DE LAS DIMS; SON LAS SIGUIENTES: PULG ±.1 ±.02 ±.005 ±.0005 mm ±0.5 ±0.13 ±0.013 ANG. ± 50 GRADOS ELIMINAR REBABAS Y ORILLAS FILOSAS DEL BORDE. PULG .003-.015 mm 0.1-0.4 FILETEAR ESQUINA: PULG .020 mm 0.5 MAQUINAR SUPERFICIES PULG 125 mm 3.2	DIBUJADO POR: AS	REGAL REGAL-BELOIT CORPORATION DESCRIPCION: MODEL-SFHP-BLOWER OUTLINE TAMAÑO: C NUMERO DE DIBUJO: JA1M220 ESCALA: NONE HOJA: 1
		APROBADO POR: .	
ASME Y14.5M 1994 DIMS METRICAS MOSTRADAS [PARENTESIS]		CONFIDENCIAL: ESTE DIBUJO Y SU INFORMACION SON PROPIEDAD DE USO EXCLUSIVO Y CONFIDENCIAL DE REGAL-BELOIT CORPORATION. Y NO DEBERAN SER REVELADOS, DUPLICADOS, DISTRIBUIDOS O USARSE DE OTRA MANERA SIN EL CONSENTIMIENTO ESCRITO DE REGAL-BELOIT CORPORATION. -TODOS LOS DERECHOS RESERVADOS.	

4

3

2

1

版本	ECO	编制	日期	批准	日期
J	0027416	H.REN	07-17-2012	B.SHEN	07-17-2012

D

D

C

C

B

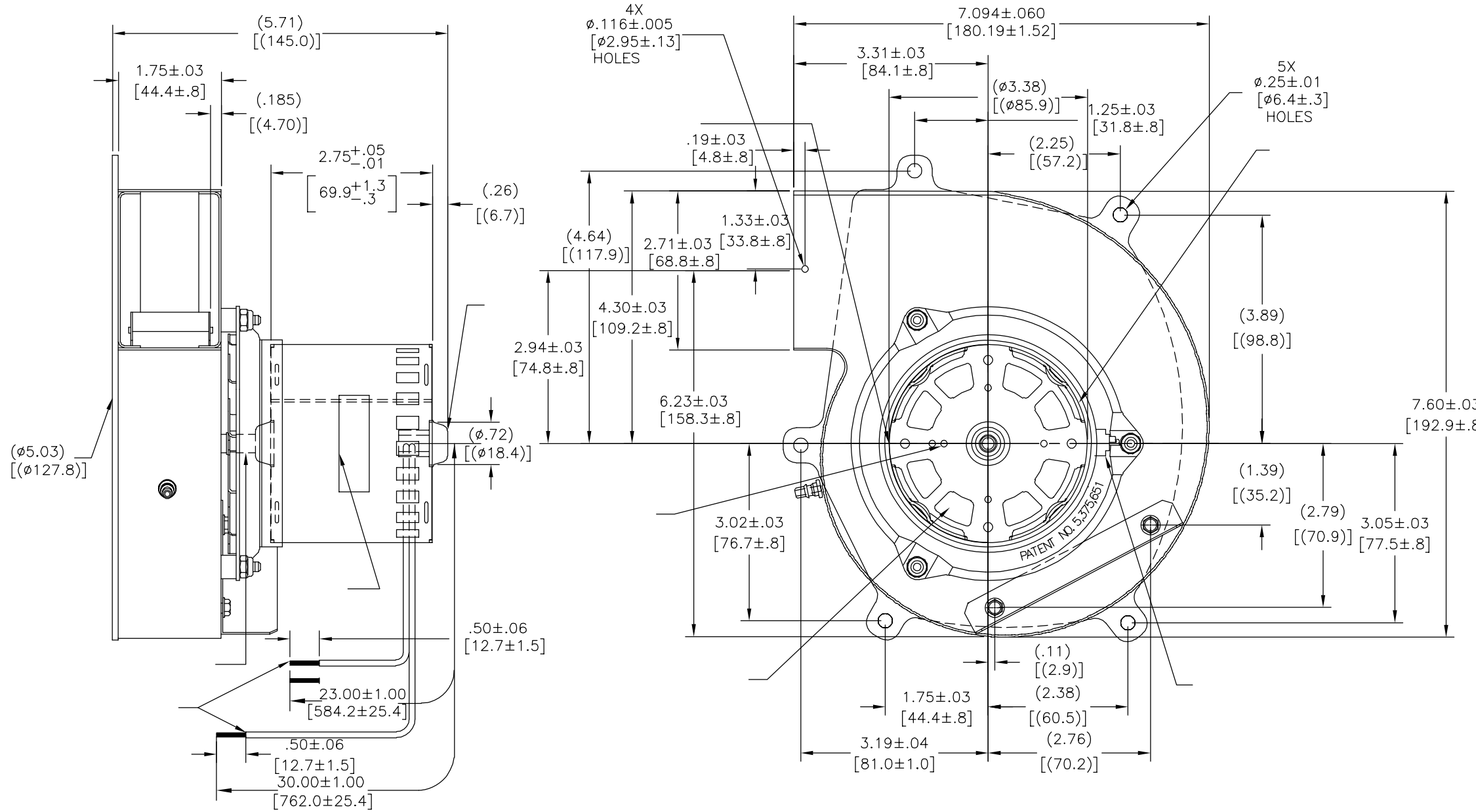
B

A

A

JA1M220N'

JA1M220N'



THERMALLY PROTECTED

Tipp City, OH



SER. DAT PO,PLT MTR MOD JA1M220N'  
 115V 60HZ 1.1A 2975RPM 1/50HP A.O. CCWLE  
 CLASS B INS. MAX. AMB. 40°C STOCK NO. 9438  
 ASSEMBLED IN MEXICO

CCWLE-CWSE	CHG. (G)
------------	----------

AFTERMARKET

形位公差 □ 平面度 — 直线度 ∠ 倾斜度 ⊥ 垂直度 // 平行度 ○ 圆度 ⊙ 圆柱度 △ 面轮廓度 ⊖ 线轮廓度 ⤴ 圆跳动 ⊕ 位置度 ⊗ 同轴度 ≡ 对称度	除另有注明 尺寸公差如下: 英寸 X XX XXX XXXX 毫米 ±.1 ±.02 ±.005 ±.0005 毫米 ±0.5 ±0.13 ±0.013 角度 ±.50 度 清理毛刺和尖棱 英寸 .003-.015 毫米 0.1-0.4 内圆角 英寸 .020 毫米 0.5 表面粗糙度 英制 125 米制 3.2 米制尺寸显示在 [ ]
---	---

ASME Y14.5M 1994

绘图:	AS
批准:	
第三角投影	图纸格式发布日期 11-11-2011 图纸格式版本 H
机密: 本图纸及相关信息所有权归REGAL-BELOIT CORPORATION 未经REGAL-BELOIT CORPORATION书面授权, 不得泄露、 复制、传播或作其他用途。—版权所有	

<b>REGAL-BELOIT CORPORATION</b>	
名称	MODEL-SFHP-BLOWER OUTLINE
图幅	C
图号	JA1M220
比例	NONE
页号	1

4

3

2

1