

GENERAL INFORMATION:

SHAFT RUNOUT: .001 [.03] T.I.R. PER INCH LENGTH OF EXTENSION

END PLAY: .010 TO .063 [.25 TO 1.60]

BEARINGS: SLEEVE

MOUNTING POSITION: HORIZONTAL

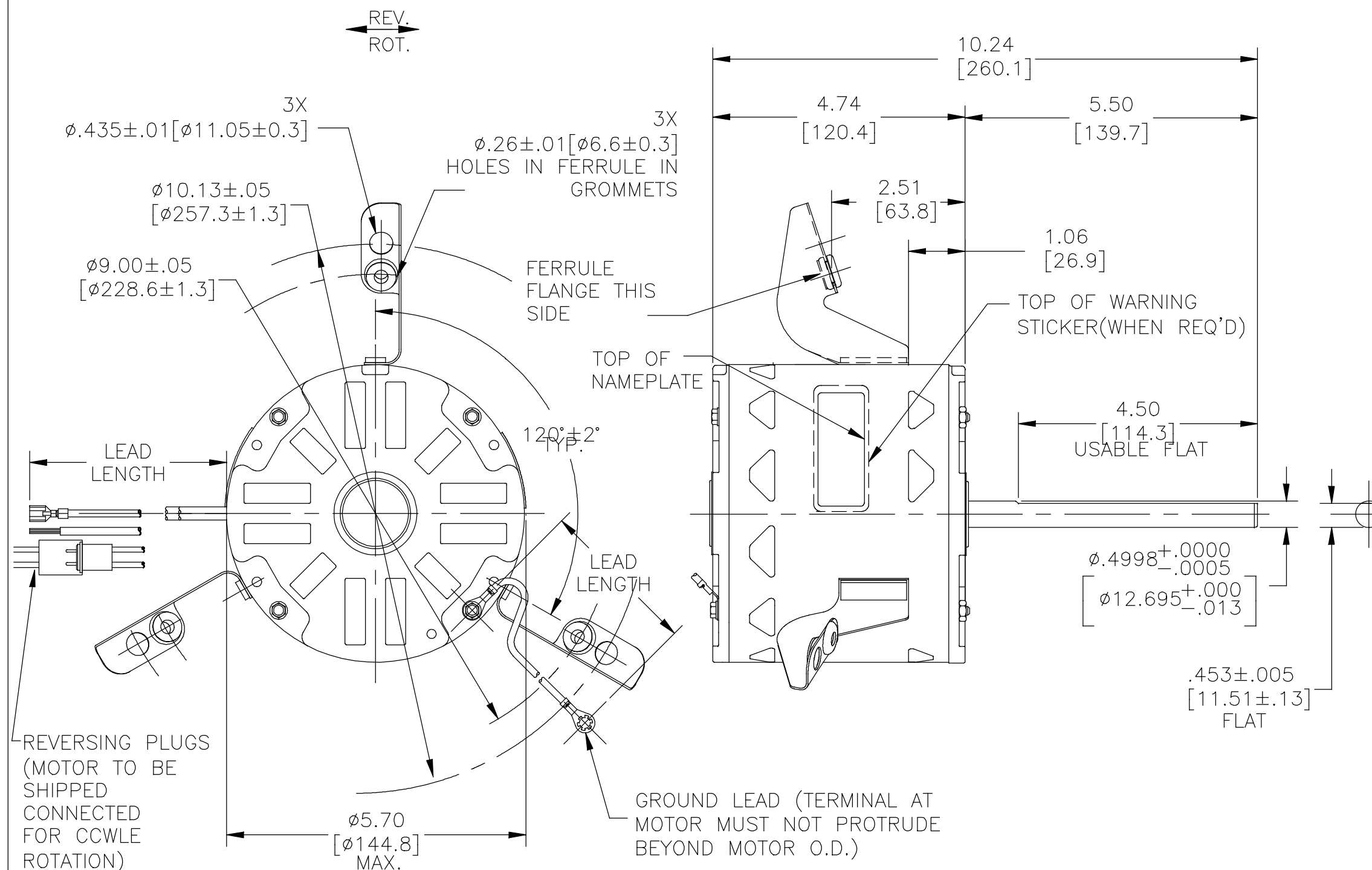
ELECTRICAL DATA:

OVERLOAD PROTECTOR: AUTOMATIC RESET (T.I. 7AM 036)

LEADS: NO. 18 GA., .06 [1.5] THK., 105°C. PVC INSUL.

REVERSING LEADS: NO. 18 GA., .03 [0.8] THK., 125°C. PVC INSUL.

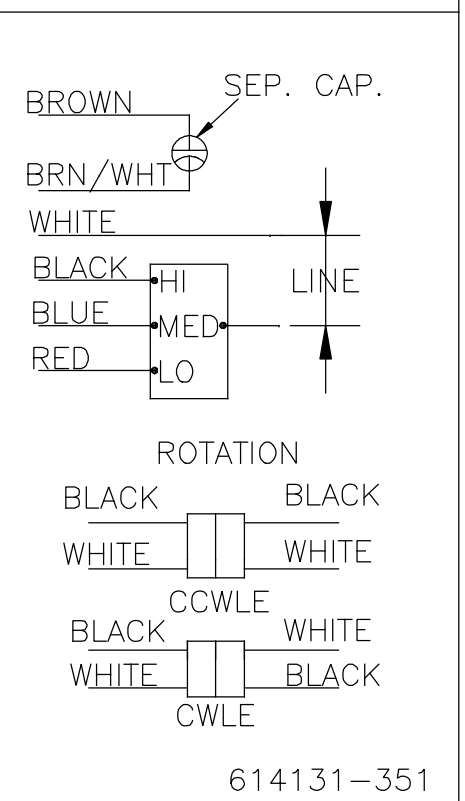
GROUND LEAD: NO. 18 GA., .03 [.8] THK. GREEN/YELLOW INSUL.



NAMEPLATE DATA:

MODEL NO.: F48Y93A01
 CUST. P/N: 9433A
 HP: 1/3, 1/4, 1/6
 ROT.: REV.
 RPM: 1075/3 SPD.
 TYPE: UF
 FRAME: 48Y
 VOLTS: 277
 PH: 1
 AMPS: 1.9, 1.4, 0.9
 HZ: 60
 INS.: B
 AMB.: 40° C
 DUTY: AIR OVER
 CAP.: 7.5 MFD/370 V
 ENCL.: OPEN
 UL LOGO
 CSA LOGO
 THERMALLY PROTECTED

EXTERNAL CONNECTION DIAGRAM



GREEN/YELLOW (GRD)	11.0/13.0 [279/330]	#10 EYELET
BLACK/WHITE	3.0/5.0 [76/127]	REVERSING PLUG
BROWN	24.0/26.0 [610/660]	.25[6.4] FEMALE SPADE
BROWN/WHITE	24.0/26.0 [610/660]	.25[6.4] FEMALE SPADE
RED	24.0/26.0 [610/660]	.50[12.7] SKIN
BLUE	24.0/26.0 [610/660]	.50[12.7] SKIN
WHITE	24.0/26.0 [610/660]	.50[12.7] SKIN
BLACK	24.0/26.0 [610/660]	.50[12.7] SKIN
COLOR	LENGTH	TERMINAL OR STRIP LENGTH

MAIN FRAME - OLE	OPEN
END FRAME - OLE	OPEN
MAIN FRAME - LE	OPEN
END FRAME - LE	OPEN

CUSTOMER DISTRIBUTION

PERFORMANCE CURVE NO.	TORQUE @ 1075 RPM (25°C)	APPROVED SAMPLE	UL COMPONENT FILE #	CCN #	CSA FILE #	CLASS #
C32676A	36.68 OZ.FT	0603144B	E46412	PRGY2	LR43341	4211-01

DRAWING REVISION F	REVISION BY HANNA.ZOU	DATE 12-04-2018
ECO-0157031	APPROVED BY DEXIAN.LI	DATE 12-04-2018
ECO DESCRIPTION SEE ECO		

COPYRIGHT REGAL BELOIT AMERICA, INC. ALL RIGHTS RESERVED. PROPRIETARY AND CONFIDENTIAL INFORMATION - THIS DOCUMENT IS THE PROPERTY OF REGAL BELOIT AMERICA, INC. (OWNER) AND CONTAINS OWNER'S PROPRIETARY INFORMATION. ANY PERSON, CORPORATION OR OTHER FIRM RECEIVING IT IS DEEMED, BY RECEIVING IT, TO AGREE THAT IT, AND/OR ANY PART OF IT, SHALL NOT BE DISCLOSED TO ANY PERSON, CORPORATION OR OTHER ENTITY, DUPLICATED, AND/OR USED, EXCEPT AS EXPRESSLY APPROVED IN WRITING IN ADVANCE BY OWNER. THIS DOCUMENT SHALL BE RETURNED TO OWNER UPON REQUEST. IT MAY BE SUBJECT TO CERTAIN RESTRICTIONS UNDER APPLICABLE EXPORT CONTROL LAWS AND REGULATIONS.

ENCLOSURE

DRAWN BY: CADDIE
 DATE: 04-05-2007
 APPROVED BY:
 DATE:
 PROCESS/FINISH:
 THIRD ANGLE PROJECTION

REGAL™ Regal Beloit America, Inc.
 DESCRIPTION: MODEL-RFHP-48FR OUTLINE
 MATERIAL:
 SIZE DWG NO: F48Y93A01
 SHEET: 1