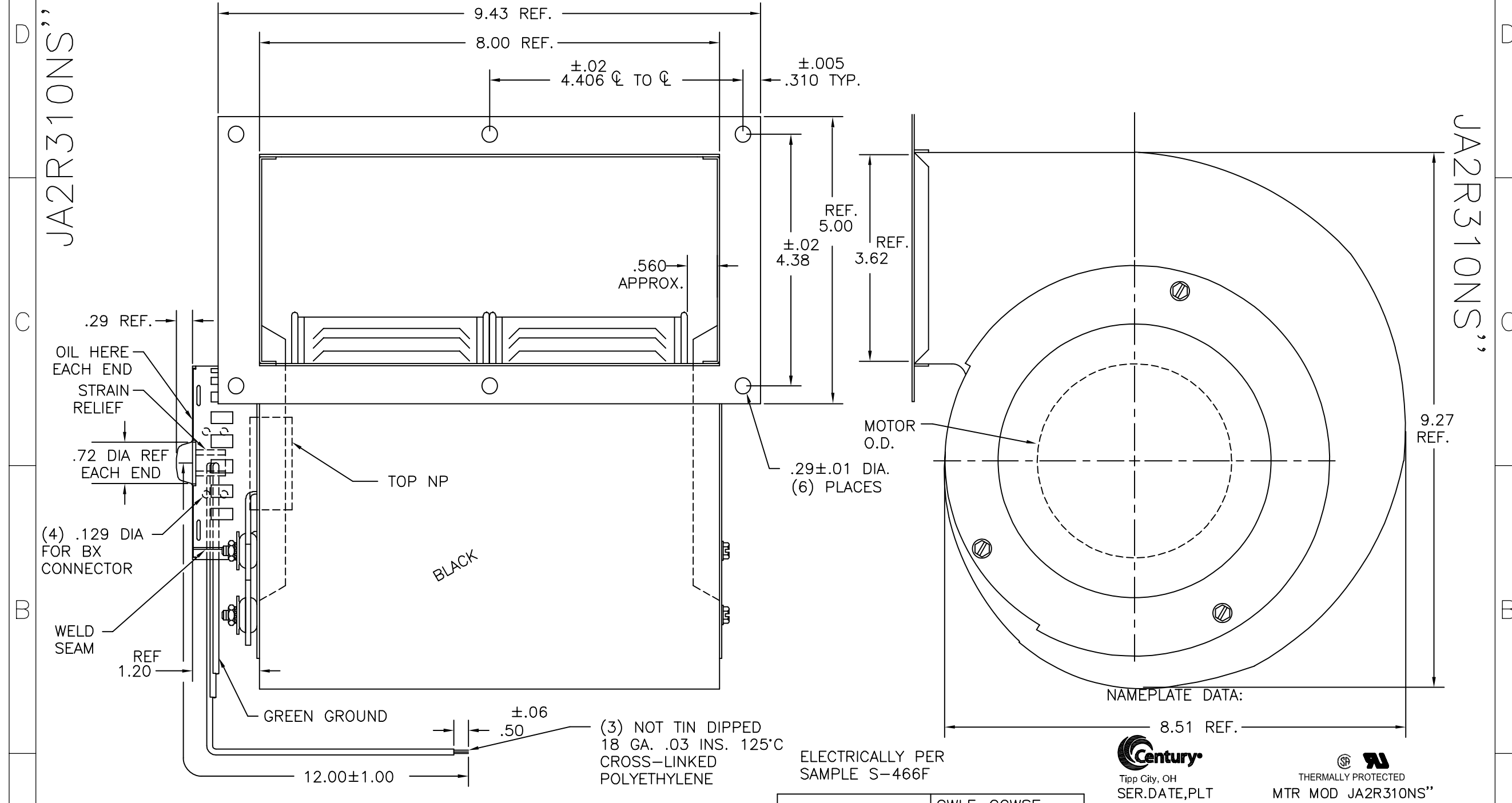


4 3 2 1

CUSTOMER IS SOLELY RESPONSIBLE FOR MOTOR PERFORMANCE AND SUITABILITY IN APPLICATIONS FOR CUSTOMER'S USES

REV	ECO	REV BY	DATE	APPD	DATE
T	0028682	D.RODRIGUEZ	09-28-2012	J.COX	09-28-2012



1. PROLONGED OPERATION IN SHAFT VERTICAL POSITION COULD RESULT IN FAILURE OF THRUST WASHER
2. IF USED WITH SOLID STATE SPEED CONTROL COULD CAUSE NOISE.

GEOMETRIC CHARACTERISTICS & SYMBOLS

▭	FLATNESS
—	STRAIGHTNESS
∠	ANGULARITY
⊥	PERPENDICULARITY (SQUARENESS)
∥	PARALLELISM
○	ROUNDNESS (CIRCULARITY)
⊘	CYLINDRICITY
△	PROFILE OF ANY SURFACE
∩	PROFILE OF ANY LINE
↯	RUNOUT
⊕	TRUE POSITION
◎	CONCENTRICITY
≡	SYMMETRY

ASME Y14.5M 1994

UNLESS OTHERWISE SPECIFIED DIM. TOLERANCES ARE AS FOLLOWS:

INCH	±.1	±.02	±.005	±.0005
mm	±0.5	±0.13	±0.013	

ANG. ±.50 DEG
REMOVE BURRS & BREAK SHARP EDGES:
INCH .003-.015 mm 0.1-0.4
CORNER FILLETS TO:
INCH .020 mm 0.5
MACHINE SURFACES:
INCH 125 mm 3.2

METRIC DIMS. SHOWN IN [BRACKETS]

DR BY: DD

APPD:

THIRD ANGLE PROJECTION

EDS DATE 11-11-2011
FORMAT REV H

CONFIDENTIAL: THIS DRAWING AND ITS INFORMATION ARE THE EXCLUSIVE AND CONFIDENTIAL PROPERTY OF REGAL-BELOIT CORPORATION AND ARE NOT TO BE DISCLOSED, DUPLICATED, DISTRIBUTED OR OTHERWISE USED WITHOUT THE WRITTEN CONSENT OF REGAL-BELOIT CORPORATION. -ALL RIGHTS RESERVED.

Century
Tipp City, OH
SER. DATE, PLT
230V 50/60HZ 1.18/1.6A 1300/1550RPM 1/15HP
CLASS B INS. MAX. AMB 40°C A0
STOCK NO. 9412 ASSEMBLED IN MEXICO

REGAL-BELOIT CORPORATION
THERMALLY PROTECTED
MTR MOD JA2R310NS"
OUTLINE AFTERMARKET

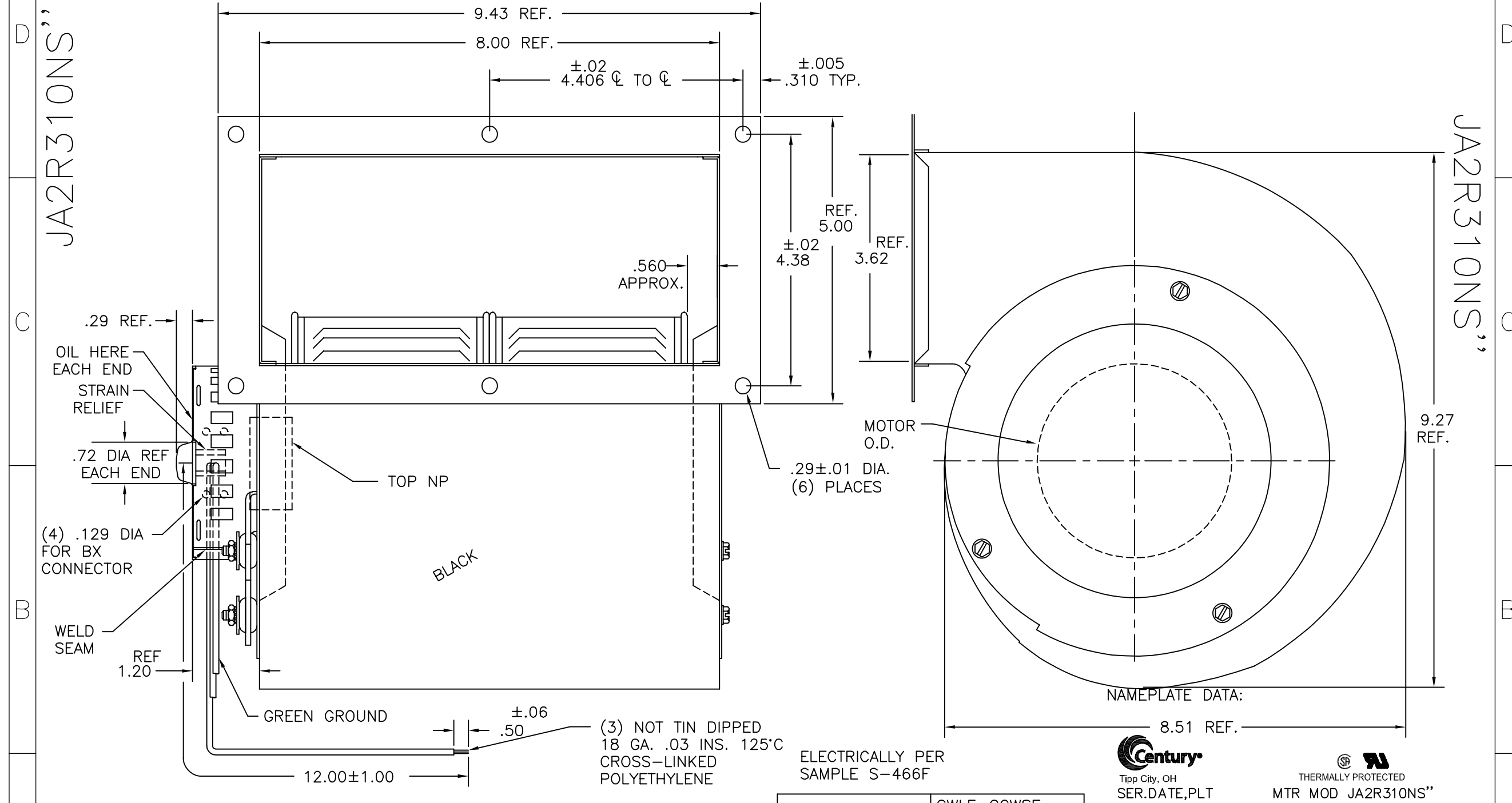
DESCRIPTION	OUTLINE AFTERMARKET	
SIZE	C	DWG NO JA2R310
SCALE	NONE	SHEET 1

4 3 2 1

4 3 2 1

CUSTOMER IS SOLELY RESPONSIBLE FOR MOTOR PERFORMANCE AND SUITABILITY IN APPLICATIONS FOR CUSTOMER'S USES

REVISION:	ECO	REVISADO POR:	FECHA:	APROBADO POR:	FECHA:
T	0028682	D.RODRIGUEZ	09-28-2012	J.COX	09-28-2012



1. PROLONGED OPERATION IN SHAFT VERTICAL POSITION COULD RESULT IN FAILURE OF THRUST WASHER
2. IF USED WITH SOLID STATE SPEED CONTROL COULD CAUSE NOISE.

CARACTERISTICAS DE GEOMETRIA Y SIMBOLOS

▧	PLANICIDAD
—	RECTITUD
∠	ANGULARIDAD
⊥	PERPENDICULARIDAD (A ESCUADRA)
//	PARALELISMO
○	REDONDEZ (CIRCULARIDAD)
⊘	CILINDRICIDAD
△	PERFIL DE CUALQUIER SUPERFICIE
∩	PERFIL DE CUALQUIER LINEA
∠	VARIACION
⊕	POSICION REAL
⊙	CONCENTRICIDAD
≡	SIMETRIA

ASME Y14.5M 1994

A MENOS QUE SE ESPECIFIQUE DE OTRA MANERA, LAS TOLERANCIAS DE LAS DIMS; SON LAS SIGUIENTES:

PULG ±.1 ±.02 ±.005 ±.0005
 mm ±0.5 ±0.13 ±0.013

ANG. ± 50 GRADOS

ELIMINAR REBABAS Y ORILLAS FILOSAS DEL BORDE.

PULG .003-.015 mm 0.1-0.4

FILETEAR ESQUINA: PULG .020 mm 0.5

MAQUINAR SUPERFICIES

PULG 125 mm 3.2

DIMS METRICAS MOSTRADAS [PARENTESIS]

DO NOT SCALE

DIBUJADO POR:	DD
APROBADO POR:	
TERCER ANGULO DE PROYECCION	FECHA EDS: 11-11-2011
	REV. FORMATO: H
CONFIDENCIAL: ESTE DIBUJO Y SU INFORMACION SON PROPIEDAD DE USO EXCLUSIVO Y CONFIDENCIAL DE REGAL-BELOIT CORPORATION. Y NO DEBERAN SER REVELADOS, DUPLICADOS, DISTRIBUIDOS O USARSE DE OTRA MANERA SIN EL CONSENTIMIENTO ESCRITO DE REGAL-BELOIT CORPORATION. -TODOS LOS DERECHOS RESERVADOS.	

Century
 Tipp City, OH
 SER.DATE,PLT
 230V 50/60HZ 1.18/1.6A 1300/1550RPM 1/15HP
 CLASS B INS. MAX. AMB 40°C AO
 STOCK NO. 9412 ASSEMBLED IN MEXICO

REGAL-BELOIT CORPORATION
 THERMALLY PROTECTED
 MTR MOD JA2R310NS

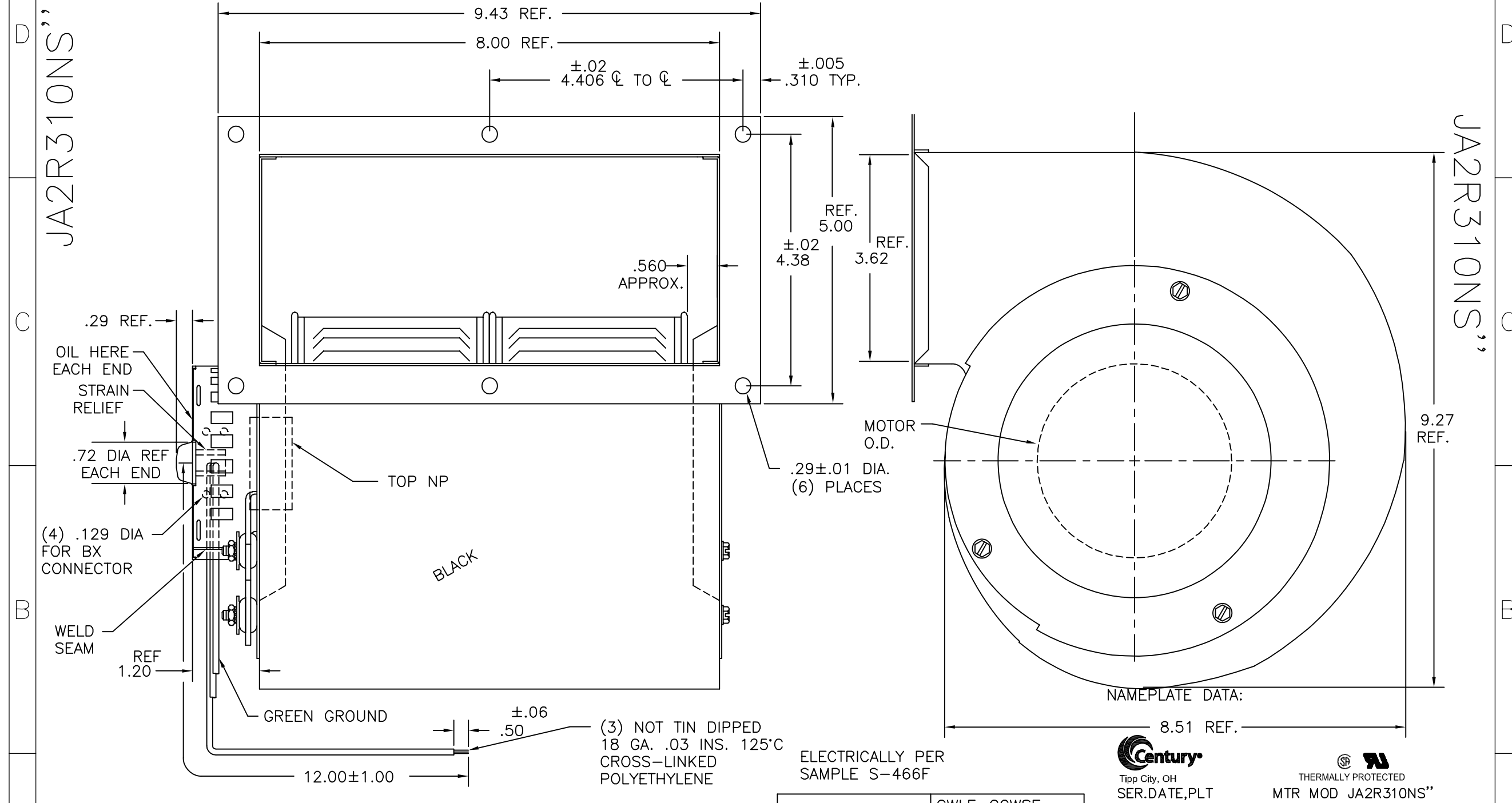
DESCRIPCION:	
OUTLINE AFTERMARKET	
TAMAÑO: C	NUMERO DE DIBUJO: JA2R310
ESCALA: NONE	HOJA: 1

4 3 2 1

4 3 2 1

版本	ECO	编制	日期	批准	日期
T	0028682	D.RODRIGUEZ	09-28-2012	J.COX	09-28-2012

CUSTOMER IS SOLELY RESPONSIBLE FOR MOTOR PERFORMANCE AND SUITABILITY IN APPLICATIONS FOR CUSTOMER'S USES



1. PROLONGED OPERATION IN SHAFT VERTICAL POSITION COULD RESULT IN FAILURE OF THRUST WASHER
2. IF USED WITH SOLID STATE SPEED CONTROL COULD CAUSE NOISE.

DO NOT SCALE

形位公差 □ 平面度 — 直线度 ∠ 倾斜度 ⊥ 垂直度 ∥ 平行度 ○ 圆度 ⊙ 圆柱度 ∩ 面轮廓度 ∟ 线轮廓度 ↻ 圆跳动 ⊕ 位置度 ⊗ 同轴度 ≡ 对称度	除另有注明 尺寸公差如下: 英寸 X XX XXX XXXX 毫米 ±.1 ±.02 ±.005 ±.0005 角度 ±.50 度 清理毛刺和尖棱 英寸 .003-.015 毫米 0.1-0.4 内圆角 英寸 .020 毫米 0.5 表面粗糙度 英制 125 米制 3.2 米制尺寸显示在L
--	--

ELECTRICALLY PER SAMPLE S-466F

CWLE-CCWSE

Century
Tipp City, OH
SER.DATE,PLT
230V 50/60HZ 1.18/1.6A 1300/1550RPM 1/15HP
CLASS B INS. MAX. AMB 40°C A0
STOCK NO. 9412 ASSEMBLED IN MEXICO

REGAL-BELOIT CORPORATION
THERMALLY PROTECTED
MTR MOD JA2R310NS"
OUTLINE AFTERMARKET

ASME Y14.5M 1994	绘图: DD	名称: REGAL-BELOIT CORPORATION
批准:	第三角投影	图幅: C
图纸格式发布日期 11-11-2011	图纸格式版本 H	图号: JA2R310
机密: 本图纸及相关信息所有权归REGAL-BELOIT CORPORATION. 未经REGAL-BELOIT CORPORATION书面授权, 不得泄露、复制、传播或作其他用途。—版权所有	比例: NONE	页号: 1

4 3 2 1