

4

3

2

1

GENERAL INFORMATION:

SHAFT RUNOUT: .001 [.03] T.I.R. PER INCH LENGTH OF EXTENSION

BEARINGS: BALL

MOUNTING POSITION: ALL ANGLE

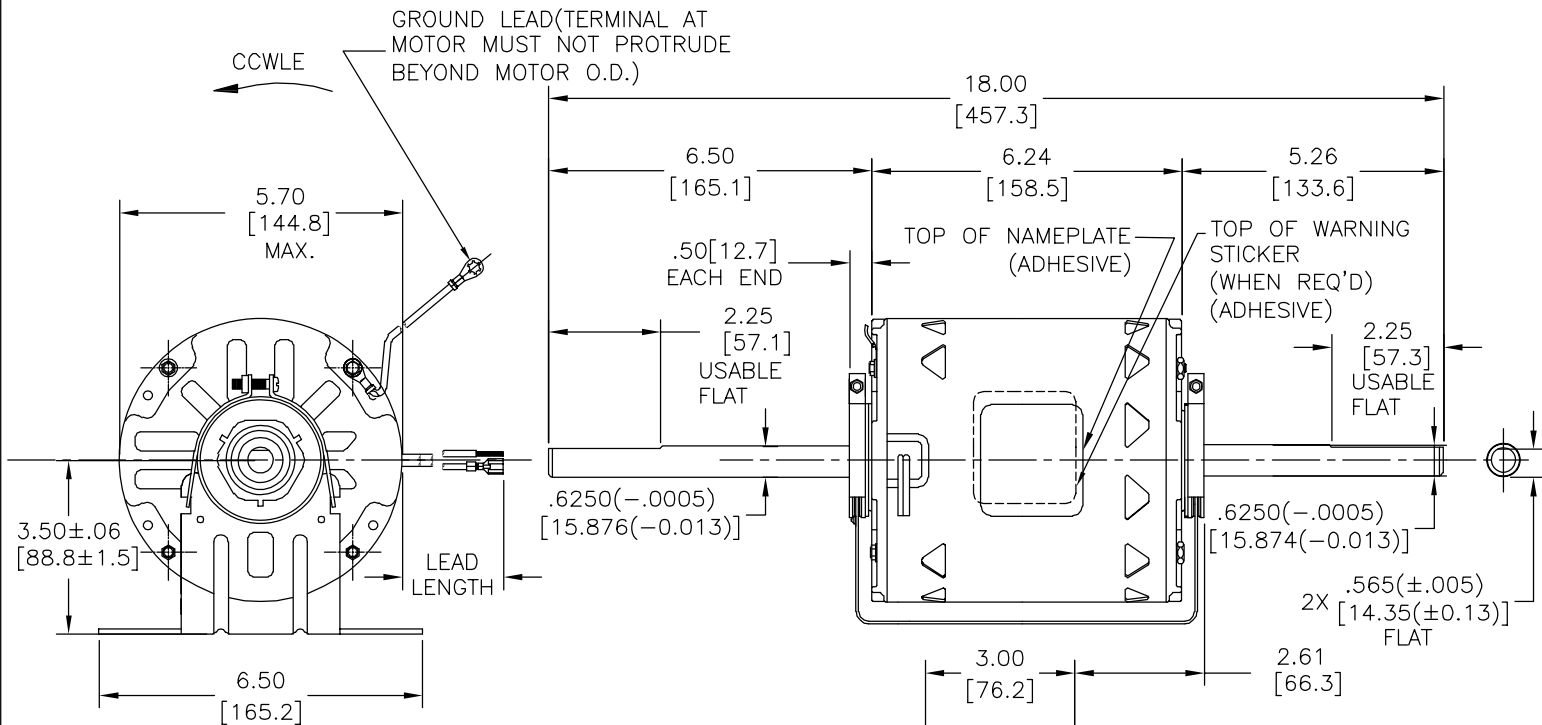
ELECTRICAL DATA:

OVERLOAD PROTECTOR: AUTOMATIC RESET (SENSATA 7AM 036)

LEADS: NO. 18 GA., .06 [1.5] THK. PVC 105°C INSUL.

GROUND LEAD: NO. 18 GA., .03 [.8] THK. GRN/YEL. INSUL.

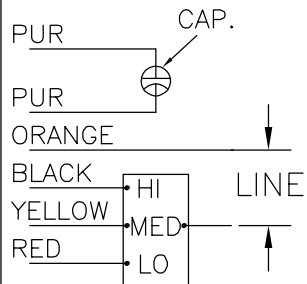
REV	ECO	REV BY	DATE	APPD	DATE
E	ECO-0037561	Y.LIU	08-28-2013	B.SHEN	08-28-2013



NAMEPLATE DATA:

MODEL NO.: F48Z34A01
 CUST. P/N: 9406A
 HP: 3/4-1/2-1/3
 ROT.: CCWLE.
 RPM: 1075/3 SPD
 TYPE: UF
 FRAME: 48Y
 VOLTS: 208-230
 PH: 1
 AMPS: 6.6-3.7-2.5
 HZ: 60
 INS.: B
 AMB.: 40°C
 DUTY: AIR OVER
 CAP.: 10 MFD/370 V
 ENCL: OPEN
 UL LOGO
 CSA LOGO
 THERMALLY PROTECTED

EXTERNAL CONNECTION DIAGRAM



614131-366

GRN/YEL (GRD)	11.0/13.0 [279/330]	#10 EYELET
PURPLE	13.0/15.0 [330/381]	.25 [6.4] FEMALE SPADE
PURPLE	13.0/15.0 [330/381]	.25 [6.4] FEMALE SPADE
ORANGE	53.0/55.0 [1346/1397]	.50 [12.7] LEAD STRIP
BLACK	53.0/55.0 [1346/1397]	.50 [12.7] LEAD STRIP
YELLOW	53.0/55.0 [1346/1397]	.50 [12.7] LEAD STRIP
RED	53.0/55.0 [1346/1397]	.50 [12.7] LEAD STRIP
COLOR	LENGTH	TERMINAL OR STRIP LENGTH

MAIN FRAME - OLE	OPEN
END FRAME - OLE	OPEN
MAIN FRAME - LE	OPEN
END FRAME - LE	OPEN

CUSTOMER DIST. SERVICES

PERFORMANCE CURVE NO.	TORQUE @1075 RPM (25°C)	APPROVED SAMPLE	UL COMPONENT FILE #	CCN #	CSA FILE #	CLASS #
C32718	82.3 OZ. FT.	0604220A	E46412	PRGY2	LR43341	4211-01

GEOMETRIC CHARACTERISTICS & SYMBOLS
 □ FLATNESS
 - STRAIGHTNESS
 < ANGLARITY
 ⊥ PERPENDICULARITY (SQUARENESS)
 // PARALLELISM
 ○ ROUNDNESS (CIRCULARITY)
 ∅ CYLINDRICITY
 △ PROFILE OF ANY SURFACE
 ∩ PROFILE OF ANY LINE
 ↗ RUNOUT
 ⊕ TRUE POSITION
 ⊙ CONCENTRICITY
 = SYMMETRY
 ASME Y14.5M 1994

REGAL-BELOIT CORPORATION (RBC) PROVIDES TECHNICAL ASSISTANCE TO OUR CUSTOMERS IN SEVERAL AREAS. SINCE RBC DOES NOT RECEIVE ALL DATA CONCERNING THE USE AND APPLICATION OF THE MOTOR, THE SUITABILITY OF THE MOTOR FOR THE APPLICATION MUST BE DETERMINED BY THE CUSTOMER.

DIMENSIONS WITHOUT TOLERANCES ARE FOR REFERENCE ONLY.

DR BY: AMY 06-20-2007

APPD:

THIRD ANGLE PROJECTION

CONFIDENTIAL: THIS DRAWING AND ITS INFORMATION ARE THE EXCLUSIVE AND CONFIDENTIAL PROPERTY OF REGAL-BELOIT CORPORATION AND ARE NOT TO BE DISCLOSED, DUPLICATED, DISTRIBUTED OR OTHERWISE USED WITHOUT THE WRITTEN CONSENT OF REGAL-BELOIT CORPORATION. -ALL RIGHTS RESERVED.

EDS DATE 11-11-2011
 FORMAT REV H

REGAL REGAL-BELOIT CORPORATION

DESCRIPTION
 MODEL-RFHP-48FR
 OUTLINE

SIZE C DWG NO 9406A

SCALE NONE SHEET 1

4

3

2

1