

4

3

2

1

REV	ECO	REV BY	DATE	APPD	DATE
F	0025528	E.SINECIO	04-24-2012	R.RASCON	04-24-2012

GENERAL INFORMATION:

SHAFT RUNOUT: .001 [.03] T.I.R. PER INCH LENGTH OF EXTENSION

BEARINGS: BALL

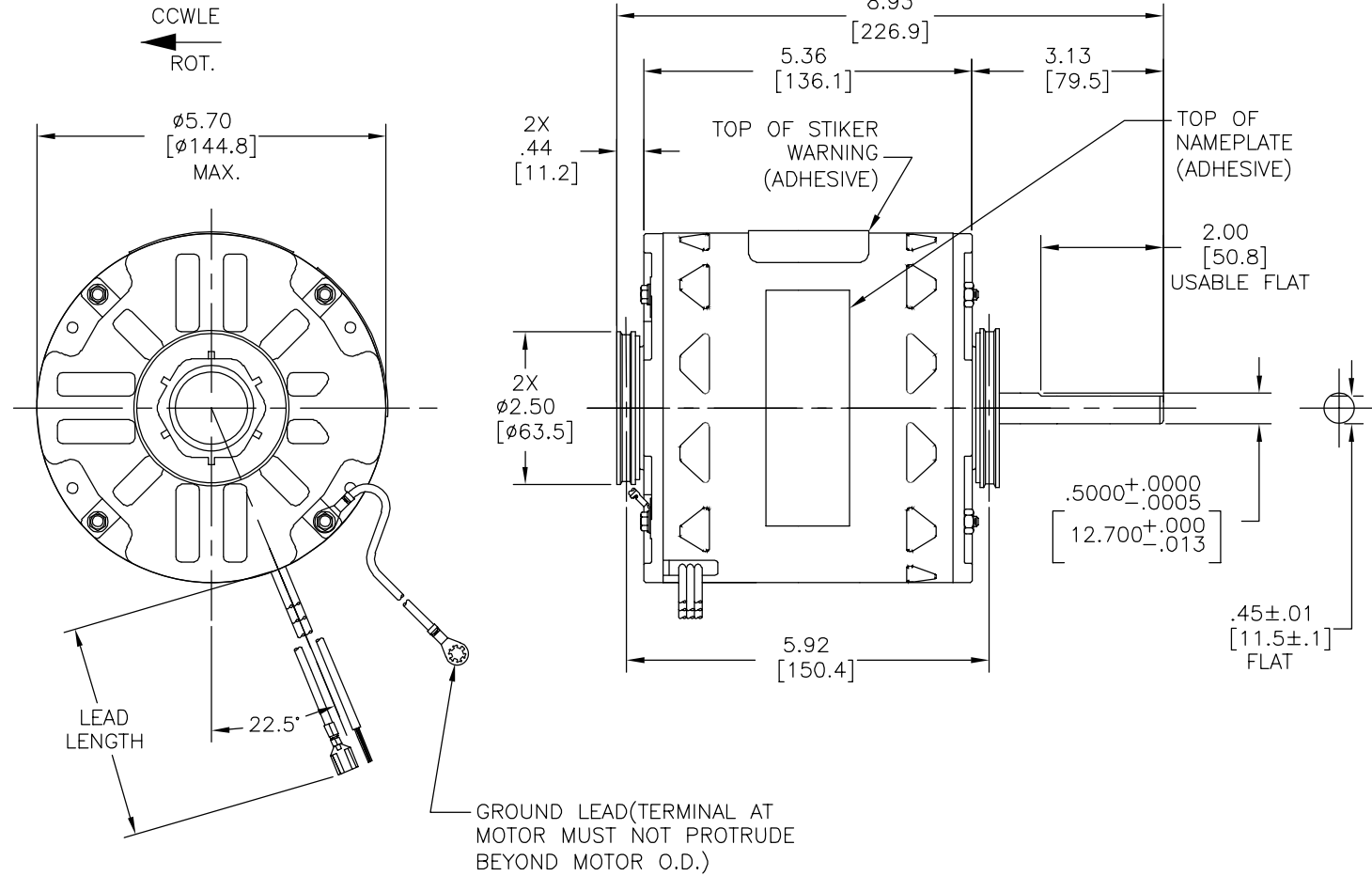
MOUNTING POSITION: HORIZONTAL

ELECTRICAL DATA:

OVERLOAD PROTECTOR: AUTOMATIC RESET (T.I. 7AM 036)

LEADS: NO. 18 GA., .06 [1.5] THK. PVC 105°C INSUL.

GROUND LEAD: NO. 16 GA., .03 [.8] THK. (GREEN/YELLOW) INSUL.



NAMEPLATE DATA:	EXTERNAL CONNECTION DIAGRAM
MODEL NO.: F48Z02A01 CUST. P/N: 9405A HP: 3/4, 1/2, 1/3, 1/4, 1/5 ROT.: CCWLE RPM: 1075 TYPE: UF FRAME: 48Y VOLTS: 115 PH: 1 AMPS: 9.7, 7.7, 6.4, 4.7, 3.5 HZ: 60 INS.: B AMB.: 40°C DUTY: AIR OVER CAP.: 40MFD/370V ENCL: OPEN UL LOGO CSA LOGO THERMALLY PROTECTED	SEP. CAP. PURPLE PURPLE WHITE BLACK HI BROWN MED-HI BLUE MED YELLOW MED-LO RED LO 614131-352

COLOR	LENGTH	TERMINAL OR STRIP LENGTH
GRN/YEL (GRD)	11.0/13.0 [279/330]	#10 EYELET
PURPLE	19.0/21.0 [482/533]	.25[6.4] FEMALE SPADE
PURPLE	19.0/21.0 [482/533]	.25[6.4] FEMALE SPADE
WHITE	27.0/29.0 [686/737]	.50[12.7] SKIN
BLACK	27.0/29.0 [686/737]	.50[12.7] SKIN
BROWN	27.0/29.0 [686/737]	.50[12.7] SKIN
BLUE	27.0/29.0 [686/737]	.50[12.7] SKIN
YELLOW	27.0/29.0 [686/737]	.50[12.7] SKIN
RED	27.0/29.0 [686/737]	.50[12.7] SKIN

MAIN FRAME - OLE	OPEN
END FRAME - OLE	OPEN
MAIN FRAME - LE	OPEN
END FRAME - LE	OPEN

CUSTOMER	DISTRIBUTION SERVICES
----------	-----------------------

PERFORMANCE CURVE NO.	TORQUE @ 1075 RPM (25°C)	APPROVED SAMPLE	UL COMPONENT FILE #	CCN #	CSA FILE #	CLASS #
C32670	71.1 OZ. FT.	0603110A	E46412	PRGY2	LR43341	4211-01

GEOMETRIC CHARACTERISTICS & SYMBOLS  
 ▽ FLATNESS  
 - STRAIGHTNESS  
 < ANGLARITY  
 ⊥ PERPENDICULARITY (SQUARENESS)  
 // PARALLELISM  
 ○ ROUNDNESS (CIRCULARITY)  
 ∅ CYLINDRICITY  
 △ PROFILE OF ANY SURFACE  
 ∩ PROFILE OF ANY LINE  
 ↗ RUNOUT  
 ⊕ TRUE POSITION  
 ⊙ CONCENTRICITY  
 = SYMMETRY  
 ASME Y14.5M 1994

REGAL-BELOIT CORPORATION (RBC) PROVIDES TECHNICAL ASSISTANCE TO OUR CUSTOMERS IN SEVERAL AREAS. SINCE RBC DOES NOT RECEIVE ALL DATA CONCERNING THE USE AND APPLICATION OF THE MOTOR, THE SUITABILITY OF THE MOTOR FOR THE APPLICATION MUST BE DETERMINED BY THE CUSTOMER.  
 DIMENSIONS WITHOUT TOLERANCES ARE FOR REFERENCE ONLY.

DR BY: MEIYU.HE 03-21-2007  
 APPD: .  
 THIRD ANGLE PROJECTION  
 EDS DATE 02-22-2008  
 FORMAT REV G  
 CONFIDENTIAL: THIS DRAWING AND ITS INFORMATION ARE THE EXCLUSIVE AND CONFIDENTIAL PROPERTY OF REGAL-BELOIT CORPORATION AND ARE NOT TO BE DISCLOSED, DUPLICATED, DISTRIBUTED OR OTHERWISE USED WITHOUT THE WRITTEN CONSENT OF REGAL-BELOIT CORPORATION. -ALL RIGHTS RESERVED.

DESCRIPTION	
MODEL-RFHP-48FR OUTLINE	
SIZE C	DWG NO F48Z02A01
SCALE NONE	SHEET 1

4

3

2

1

4

3

2

1

REVISION:	ECO	REVISADO POR:	FECHA:	APROBADO POR:	FECHA:
F	0025528	E.SINECIO	04-24-2012	R.RASCON	04-24-2012

**INFORMACION GENERAL:**

OSCILACION DE FLECHA: .001 [.03] T.I.R. PER INCH LENGTH OF EXTENSION

BALEROS: BOLA

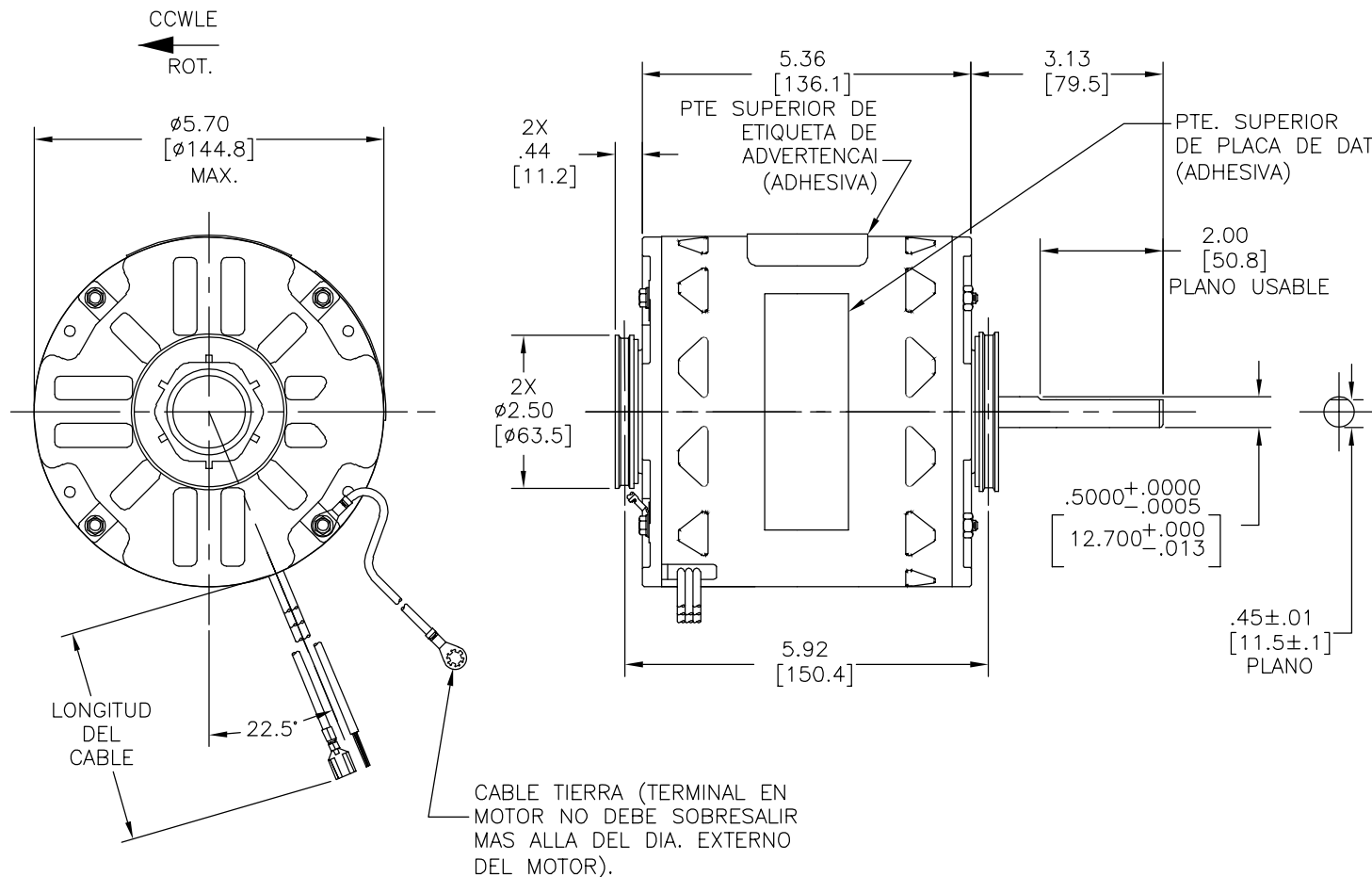
POSICION DEL MONTAJE: HORIZONTAL

**INFORMACION ELECTRICA:**

SOBRECARGA DEL PROTECTOR: REINICIO AUTOMATIC (T.I. 7AM 036)

CABLES: NO. 18 GA., .06 [1.5] THK. PVC 105°C AISLAM.

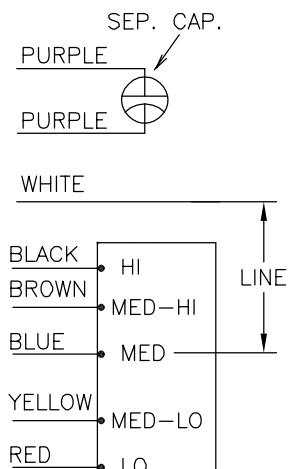
CABLE DE TIERRA: NO. 16 GA., .03 [.8] THK. (VERDE) AISLAM.



**INFORMACION DE ETIQUETA:**

MODEL NO.: F48Z02A01  
CUST. P/N: 9405A  
HP: 3/4,1/2,1/3,1/4,1/5  
ROT.: CCWLE  
RPM: 1075  
TYPE: UF  
FRAME: 48Y  
VOLTS: 115  
PH: 1  
AMPS: 9.7, 7.7, 6.4, 4.7, 3.5  
HZ: 60  
INS.: B  
AMB.: 40°C  
DUTY: AIR OVER  
CAP.: 40MFD/370V  
ENCL: OPEN  
UL LOGO  
CSA LOGO  
THERMALLY PROTECTED

**DIAGRAMA DE CONEXION EXTRNA**



614131-352

VERDE/AMAR. (TIERRA)	11.0/13.0 [279/330]	#10 OJAL
MORADO	19.0/21.0 [482/533]	.25[6.4] ESPADA HEMB.
MORADO	19.0/21.0 [482/533]	.25[6.4] ESPADA HEMB.
BLANCO	27.0/29.0 [686/737]	.50[12.7] DESFORRE
NEGRO	27.0/29.0 [686/737]	.50[12.7] DESFORRE
CAFE	27.0/29.0 [686/737]	.50[12.7] DESFORRE
AZUL	27.0/29.0 [686/737]	.50[12.7] DESFORRE
AMARILLO	27.0/29.0 [686/737]	.50[12.7] DESFORRE
ROJO	27.0/29.0 [686/737]	.50[12.7] DESFORRE
COLOR	LONGITUD	TERMINAL O LONGITUD DE DESFORRE

DE CARCASA - OLE	ABIERTO
DE TAPA - OLE	ABIERTO
DE CARCASA - LE	ABIERTO
DE TAPA - LE	ABIERTO

CLIENTE	DISTRIBUTION SERVICES
---------	-----------------------

CURVAS DE FUNCIONAMIENTO	TORSION @1075 RPM (25°C)	MUESTRA APROBADA	COMPONENTE UL	CSA
C32670	71.1 OZ. FT.	0603110A	#ARCHIVO CCN #	#ARCHIVO CLASE #
			E46412 PRGY2	LR43341 4211-01

**CARACTERISTICAS DE GEOMETRIA Y SIMBOLOS**

∠ PLANICIDAD

— RECTITUD

∠ ANGULARIDAD

⊥ PERPENDICULARIDAD (A ESCUADRA)

// PARALELISMO

○ REDONDEZ (CIRCULARIDAD)

∅ CILINDRICIDAD

△ PERFIL DE CUALQUIER SUPERFICIE

∧ PERFIL DE CUALQUIER LINEA

∧ VARIACION

⊕ POSICION REAL

⊙ CONCENTRICIDAD

≡ SIMETRIA

ASME Y14.5M 1994

REGAL-BELOIT CORPORATION (RBC) PROVEE ASISTENCIA TECNICA A NUESTROS CLIENTES EN VARIAS AREAS, DESDE QUE RBC NO RECIBE TODOS LOS DATOS EN RELACION AL USO Y A LA APLICACION DEL MOTOR, LA APLICACION ADECUADA DEL MOTOR DEBE SER DETERMINADA POR EL CLIENTE.

DIMENSIONES SIN TOLERANCIA SON DE REFERENCIA SOLAMENTE

DIBUJADO POR: MEIYU.HE 03-21-2007

APROBADO POR:

TERCER ANGULO DE PROYECCION

FECHA EDS: 02-22-2008

REV. FORMATO: G

CONFIDENCIAL: ESTE DIBUJO Y SU INFORMACION SON PROPIEDAD DE USO EXCLUSIVO Y CONFIDENCIAL DE REGAL-BELOIT CORPORATION. Y NO DEBERAN SER REVELADOS, DUPLICADOS, DISTRIBUIDOS O USARSE DE OTRA MANERA SIN EL CONSENTIMIENTO ESCRITO DE REGAL-BELOIT CORPORATION. -TODOS LOS DERECHOS RESERVADOS.



DESCRIPCION: MODEL-RFHP-48FR OUTLINE

TAMAÑO: C NUMERO DE DIBUJO: F48Z02A01

ESCALA: NONE HOJA: 1

4

3

2

1

4

3

2

1

版本	ECO	编制	日期	批准	日期
F	0025528	E.SINECIO	04-24-2012	R.RASCON	04-24-2012

总技术要求:

轴跳动: 0.03/25.4mm(外伸轴).

轴承: 球轴承.

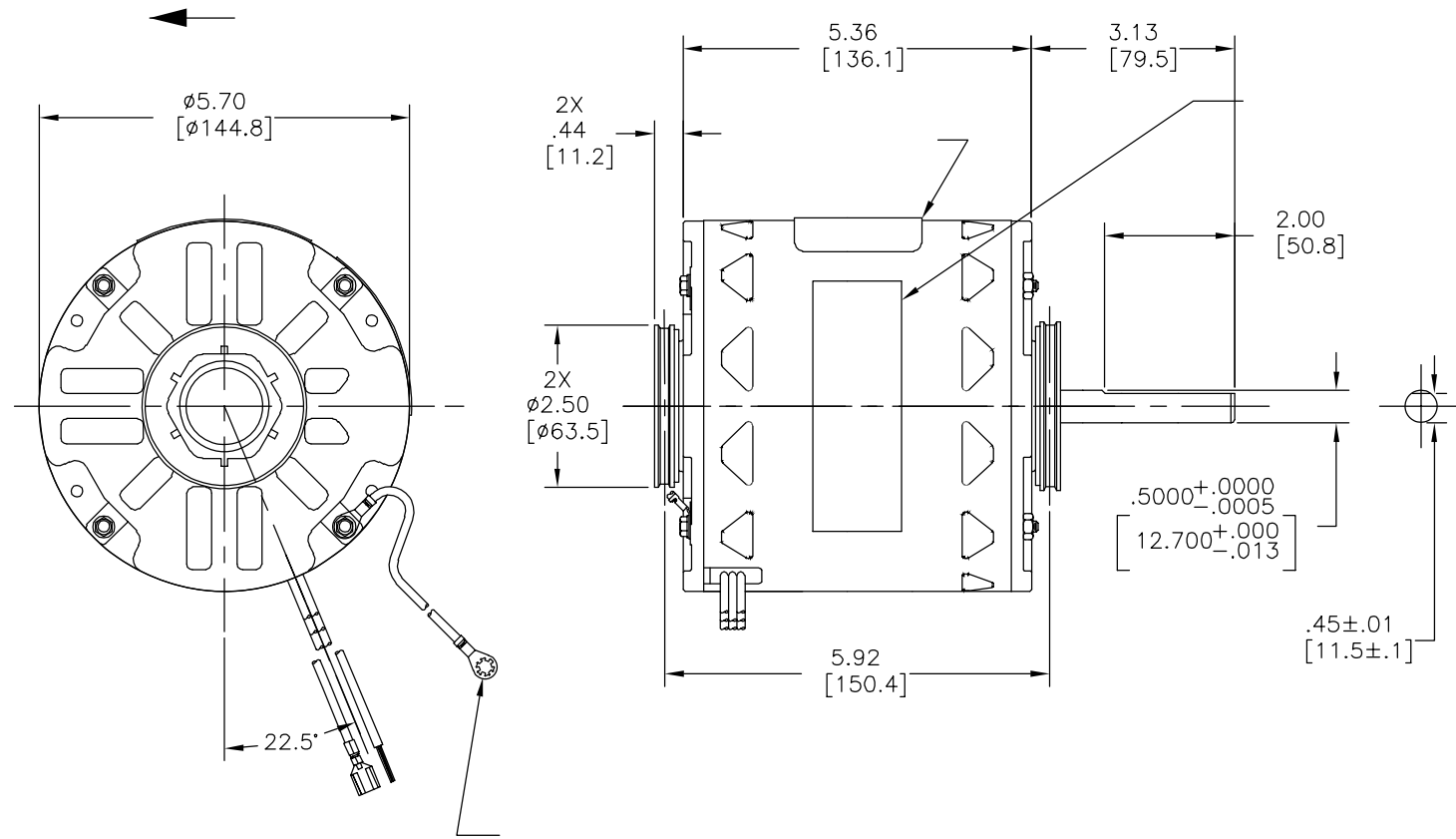
安装位置: 垂直 - 轴向下

电气数据:

过载保护: 自动复位 (T. I. 7AM 036)

引线: 18GA, 厚.06[1.5] PVC 105°C 绝缘

接地线: 18GA, 厚.03[0.8] 绿色绝缘



D

D

C

C

B

B

A

A

铭牌数据	外部数据线
MODEL NO.: F48Z02A01 CUST. P/N: 9405A HP: 3/4,1/2,1/3,1/4,1/5 ROT.: CCWLE RPM: 1075 TYPE: UF FRAME: 48Y VOLTS: 115 PH: 1 AMPS: 9.7, 7.7, 6.4, 4.7, 3.5 HZ: 60 INS.: B AMB.: 40°C DUTY: AIR OVER CAP.: 40MFD/370V ENCL: OPEN UL LOGO CSA LOGO THERMALLY PROTECTED	SEP. CAP. PURPLE PURPLE WHITE BLACK → HI BROWN → MED-HI BLUE → MED YELLOW → MED-LO RED → LO LINE
614131-352	

性能曲线编号	转矩在 @ --- RPM (25° C)	批准样品	UL部件	CSA
C32670	71.1 OZ. FT.	0603110A	文件号 指南	文件号 指南
			E46412 PRGY2	LR43341 4211-01

	11.0/13.0 [279/330]	
	19.0/21.0 [482/533]	
	19.0/21.0 [482/533]	
	27.0/29.0 [686/737]	
	27.0/29.0 [686/737]	
	27.0/29.0 [686/737]	
	27.0/29.0 [686/737]	
	27.0/29.0 [686/737]	
	27.0/29.0 [686/737]	
颜色	长度	端子或剥线长度

无引线端机壳	
无引线端端盖	
有引线端机壳	
有引线端端盖	

用户	DISTRIBUTION SERVICES
----	-----------------------

- 形位公差
- 平面度
- 直线度
- ∠ 倾斜度
- ⊥ 垂直度
- // 平行度
- 圆度
- ⊙ 圆柱度
- △ 面轮廓度
- ∩ 线轮廓度
- ↗ 圆跳动
- ⊕ 位置度
- ⊙ 同轴度
- ≡ 对称度

ASME Y14.5M 1994

REGAL-BELOIT CORPORATION (RBC) 在个别领域为客户提供技术支持。鉴于RBC未收到任何涉及电机使用和应用环境的数据，电机的适用性由客户自己决定。

未注公差尺寸仅供参考。

绘图: MEIYU.HE	03-21-2007
批准:	
第三角投影	图纸格式发布日期 02-22-2008 图纸格式版本 G
机密: 本图纸及相关信息所有权归REGAL-BELOIT CORPORATION。未经REGAL-BELOIT CORPORATION书面授权, 不得泄露、复制、传播或作其他用途。一版权所有	

名称 MODEL-RFHP-48FR OUTLINE	
图幅 C	图号 F48Z02A01
比例 NONE	页号 1

4

3

2

1