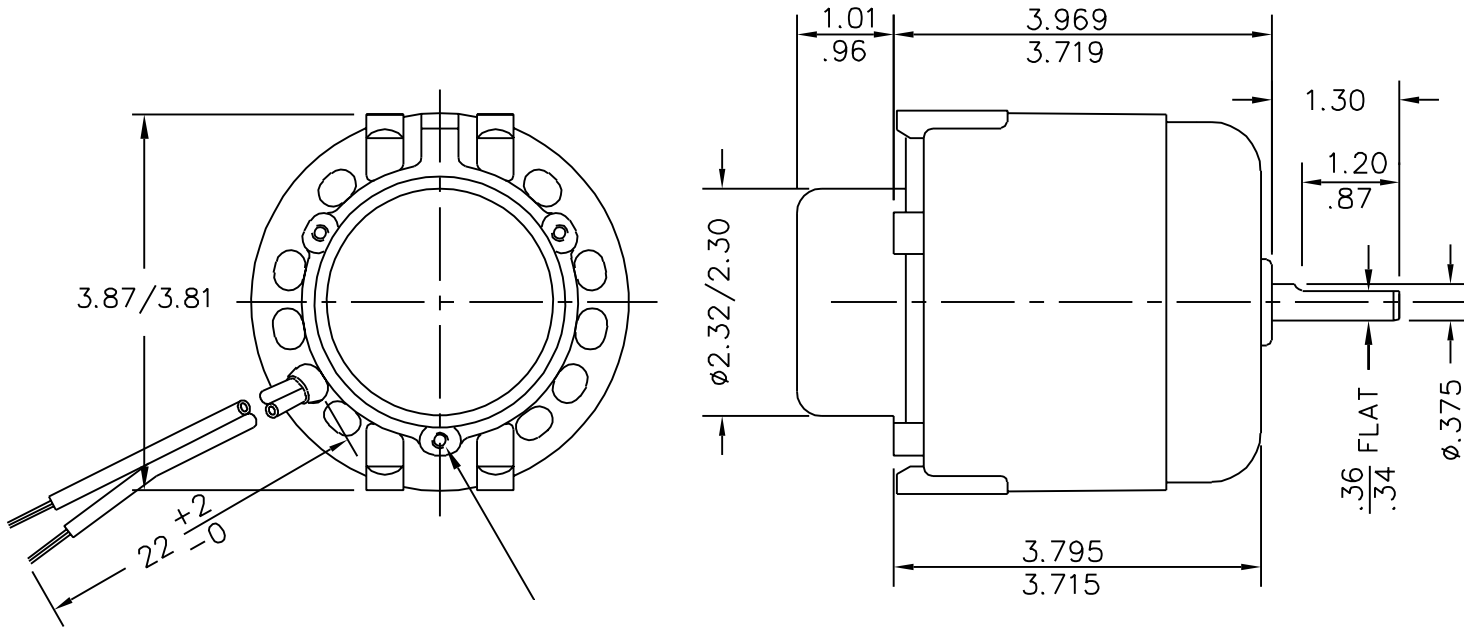


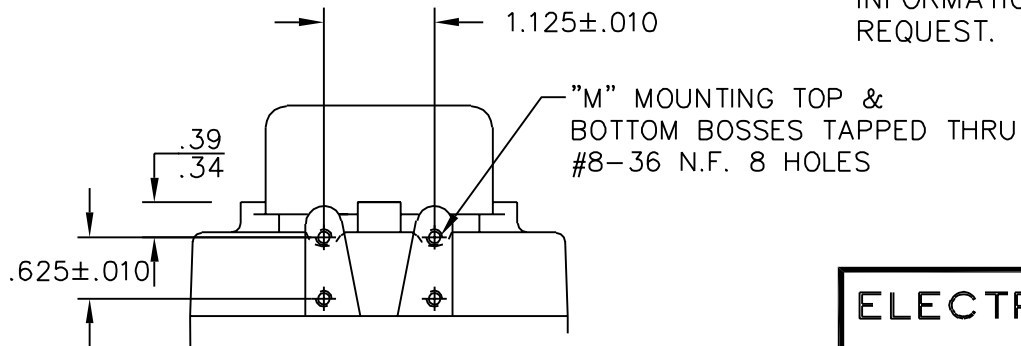
NO. A-23935

NO.	REVISIONS	DATE AND SIGNATURE
1	ADDED 208-230 NOTE	1-26-98
2	LEAD WAS (2) #10 'S	7-6-98
3	CUST NAME WAS MAGNETEK	6-7-02



3 #8-36 TAPPED HOLES
SPACED 120° APART ON A
2.813 DIA. CENTER LINE.

OUTLINE DIMENSIONS ON WHICH NO LIMIT IS SPECIFIED ARE NOMINAL AND NOT GUARANTEED AS TO TOLERANCE. ADDITIONAL INFORMATION ON TOLERANCE WILL BE FURNISHED ON SPECIFIC REQUEST.



TOLERANCE
.0000=±.0002 .000=±.005
.00=±.010 FRACTION=±1/64
0°=±30' 0'0°=±5' 0'0'0°=REF. ONLY
ABOVE TOLERANCES APPLY UNLESS
OTHERWISE SPECIFIED TOLERANCES
ARE NOT ACCUMULATIVE.

ELECTRIC MOTORS AND SPECIALTIES INC.

208-230V 60HZ CW GARRETT, INDIANA 46738

FIRST MADE FOR ESP-OL60EM2 A.O. SMITH		MATERIAL CUST NO. 9200	
DRAWN BY JIM NICHTER	DATE 12-03-97	SCALE 1/2 SIZE	APPROVED BY DATE
TITLE MOTOR OUTLINE			NO. A-23935