

4

3

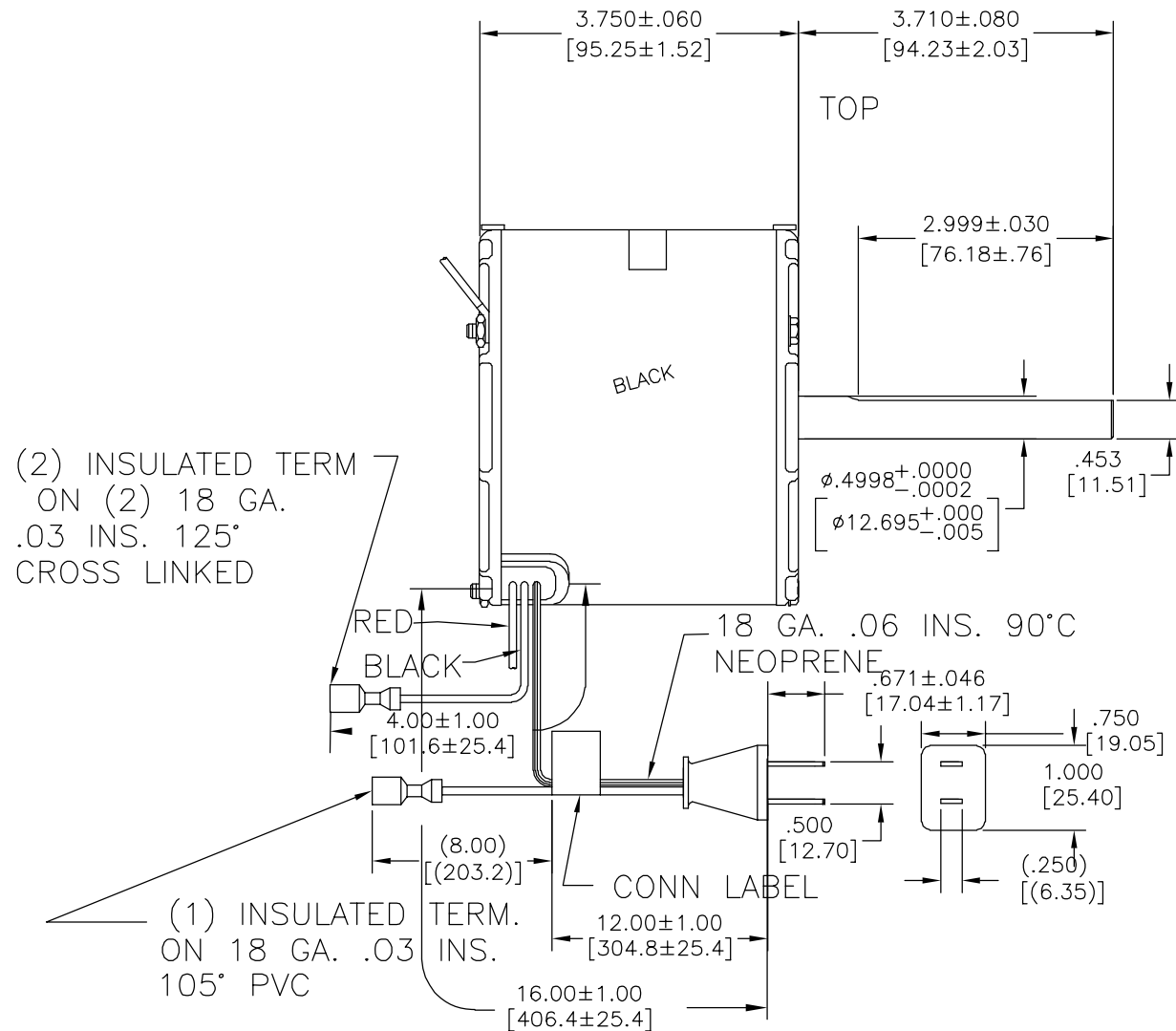
2

1

CUSTOMER IS SOLELY RESPONSIBLE FOR MOTOR PERFORMANCE AND SUITABILITY IN APPLICATIONS FOR CUSTOMER'S USES.

REV	ECO	REV BY	DATE	APPD	DATE
F	0028994	I.ORTIZ	10-16-2012	M.AVILA	10-16-2012

END PLAY .005[.13] MIN - .040[1.02] MAX
 MAX. SHAFT RUN OUT .001[.03] PER INCH
 MAX. RUN OUT NOT TO EXCEED .010[.25]



(1) RING TERMINAL FOR 1/4 SCREW ON 16 GA. .03 INS 105°C PVC GN/YE GROUND ON LE

TERM MUST NOT EXTEND PAST MOTOR O.D.

REMOVABLE OIL PLUG EACH END

($\phi 5.004$) [$\phi 127.10$]

WELD SEAM REF.

VENTS EACH END

LEAD BUSHING

(2) INSULATED TERM ON (2) 18 GA. .03 INS. 125° CROSS LINKED

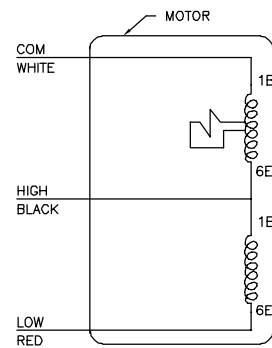
(1) INSULATED TERM. ON 18 GA. .03 INS. 105° PVC

COLOR CODE	
HIGH	CONN. MOTOR LEAD TO BLACK LEAD
LOW	CONN. MOTOR LEAD TO RED LEAD

ELECTRICALLY PER NSP #1204 EXCEPT CONST.

SCHEMATIC-276

ROT.: -CCWLE-CWSE



NAMEPLATE DATA:

Century TIPP CITY, OHIO THERMALLY PROTECTED

SER. DATE & PO# PLT LTR MOD DA3G667N# STK NO 90
 VOLTS 115 HZ 60 AMPS
 RPM 1050 SP PH1 CAP
 INS CL AMB °C HP CONT A.O. ← ROTATION ←
 BRG SLV BK-HI 5.2A 1/8HP RD-LOW 3.5A 1/10HP
 ASSEMBLED IN MEXICO

CONN LABEL 63T283-49

GEOMETRIC CHARACTERISTICS & SYMBOLS

- ▭ FLATNESS
 - STRAIGHTNESS
 - ∠ ANGULARITY
 - ⊥ PERPENDICULARITY (SQUARENESS)
 - // PARALLELISM
 - ROUNDNESS (CIRCULARITY)
 - ⊘ CYLINDRICITY
 - △ PROFILE OF ANY SURFACE
 - ∩ PROFILE OF ANY LINE
 - ↗ RUNOUT
 - ⊕ TRUE POSITION
 - ◎ CONCENTRICITY
 - ≡ SYMMETRY
- ASME Y14.5M 1994

UNLESS OTHERWISE SPECIFIED DIM. TOLERANCES ARE AS FOLLOWS:

- INCH ±.1 ±.02 ±.005 ±.0005
- mm ±0.5 ±0.13 ±0.013
- ANG. ±.50 DEG
- REMOVE BURRS & BREAK SHARP EDGES:
- INCH .003-.015 mm 0.1-0.4
- CORNER FILLETS TO:
- INCH .020 mm 0.5
- MACHINE SURFACES:
- INCH 125 mm 3.2
- METRIC DIMS. SHOWN IN [BRACKETS]

DR BY:

DLC	10-16-1998
APPD:	TLB

THIRD ANGLE PROJECTION

EDS DATE 11-11-2011
 FORMAT REV H
 CONFIDENTIAL: THIS DRAWING AND ITS INFORMATION ARE THE EXCLUSIVE AND CONFIDENTIAL PROPERTY OF REGAL-BELOIT CORPORATION AND ARE NOT TO BE DISCLOSED, DUPLICATED, DISTRIBUTED OR OTHERWISE USED WITHOUT THE WRITTEN CONSENT OF REGAL-BELOIT CORPORATION.
 -ALL RIGHTS RESERVED.

REGAL REGAL-BELOIT CORPORATION

DESCRIPTION	
MODEL-RFHP-42FR OUTLINE	
SIZE	DWG NO
C	DA3G7667
SCALE	SHEET
NONE	1

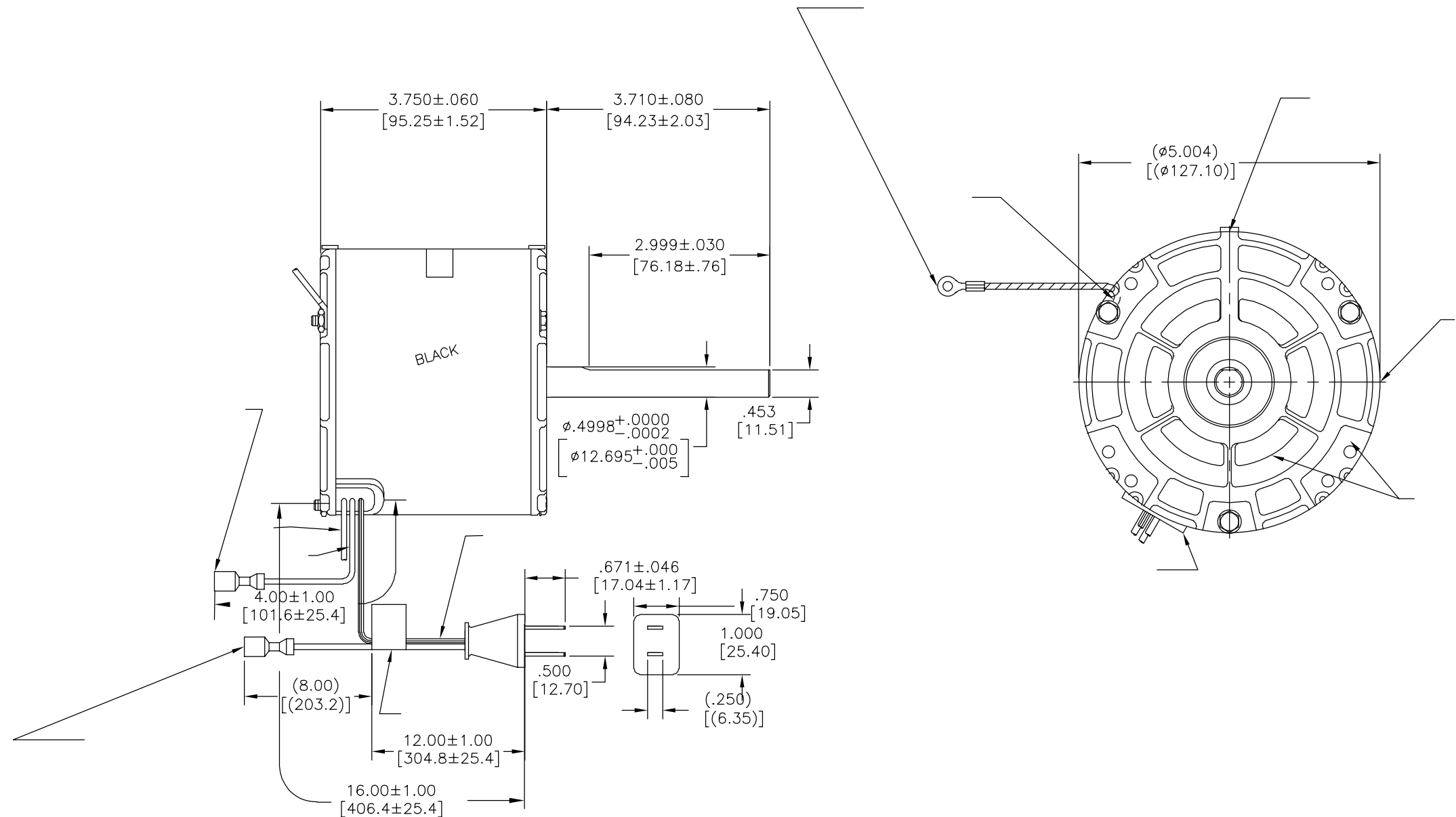
4

3

2

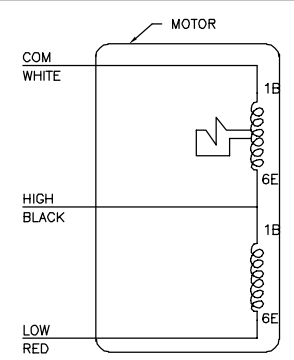
1

REVISION:	ECO	REVISADO POR:	FECHA:	APROBADO POR:	FECHA:
F	0028994	I.ORTIZ	10-16-2012	M.AVILA	10-16-2012



SCHEMATIC-276

ROT.: -CCWLE-CWSE



NAMEPLATE DATA:

Century TIPP CITY, OHIO THERMALLY PROTECTED

SER. DATE & PO# P/LTR MOD DA3G667N# STK NO 90
 VOLTS 115 HZ 60 AMPS
 RPM 1050 SP PH1 CAP
 INS CL AMB °C HP CONT A.O. ← ROTATION ←
 BRG SLV BK-HI 5.2A 1/8HP RD-LOW 3.5A 1/10HP
 ASSEMBLED IN MEXICO

CONN LABEL
63T283-49

- CARACTERISTICAS DE GEOMETRIA Y SIMBOLOS
- ▧ PLANICIDAD
 - RECTITUD
 - ∠ ANGULARIDAD
 - ⊥ PERPENDICULARIDAD (A ESCUADRA)
 - // PARALELISMO
 - REDONDEZ (CIRCULARIDAD)
 - ∅ CILINDRICIDAD
 - △ PERFIL DE CUALQUIER SUPERFICIE
 - ∩ PERFIL DE CUALQUIER LINEA
 - ∧ VARIACION
 - ⊕ POSICION REAL
 - ◎ CONCENTRICIDAD
 - = SIMETRIA
- ASME Y14.5M 1994

A MENOS QUE SE ESPECIFIQUE DE OTRA MANERA, LAS TOLERANCIAS DE LAS DIMS; SON LAS SIGUIENTES:

PULG ±.1 ±.02 ±.005 ±.0005
 mm ±0.5 ±0.13 ±0.013

ANG. ± 50 GRADOS

ELIMINAR REBABAS Y ORILLAS FILOSAS DEL BORDE.

PULG .003-.015 mm 0.1-0.4

FILETEAR ESQUINA: PULG .020 mm 0.5

MAQUINAR SUPERFICIES

PULG 125 mm 3.2

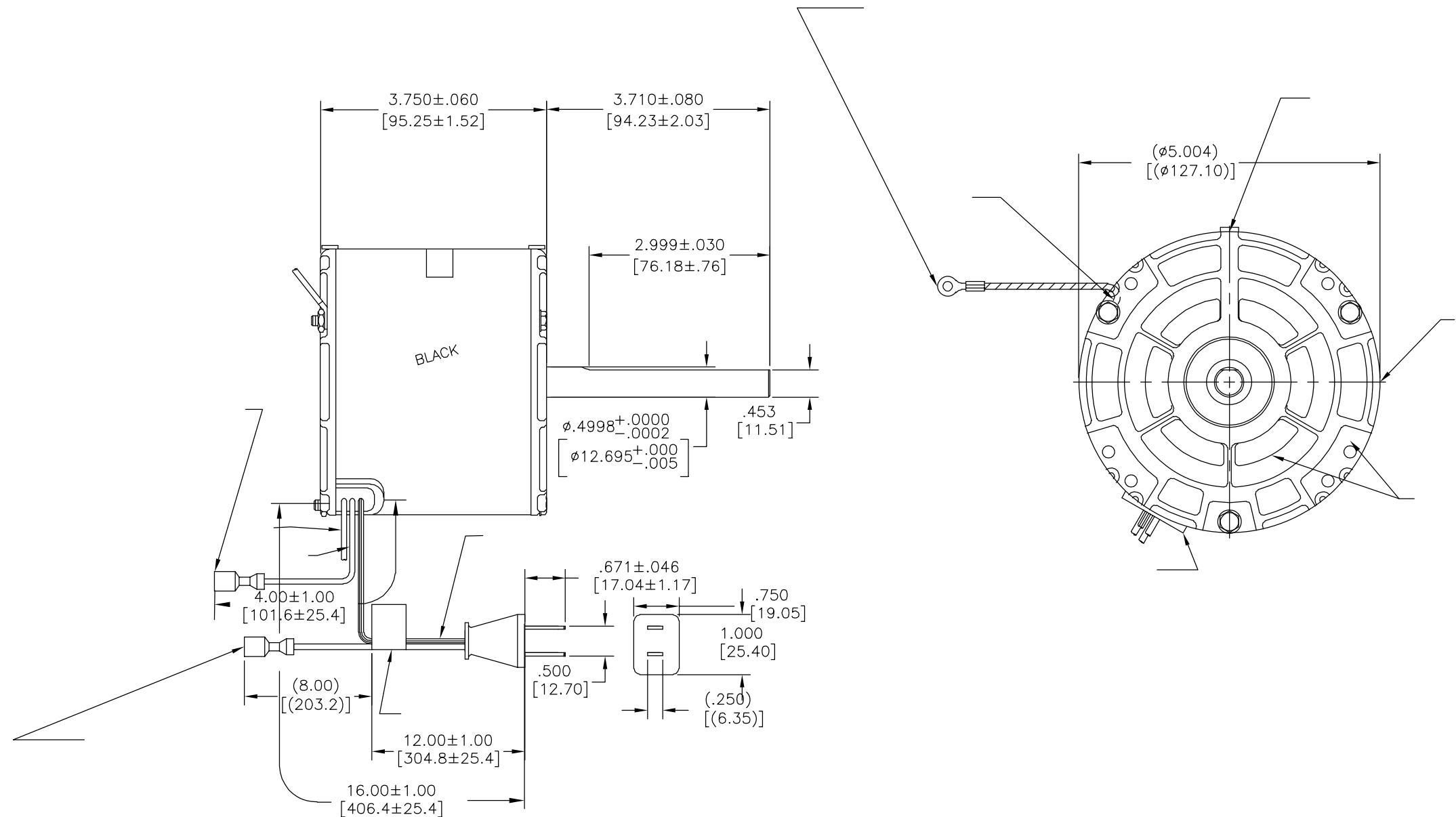
DIMS METRICAS MOSTRADAS [PARENTESIS]

DIBUJADO POR:	DLC	10-16-1998
APROBADO POR:	TLB	10-16-1998
TERCER ANGULO DE PROYECCION	⊕	FECHA EDS: 11-11-2011 REV. FORMATO: H
CONFIDENCIAL: ESTE DIBUJO Y SU INFORMACION SON PROPIEDAD DE USO EXCLUSIVO Y CONFIDENCIAL DE REGAL-BELOIT CORPORATION. Y NO DEBERAN SER REVELADOS, DUPLICADOS, DISTRIBUIDOS O USARSE DE OTRA MANERA SIN EL CONSENTIMIENTO ESCRITO DE REGAL-BELOIT CORPORATION. -TODOS LOS DERECHOS RESERVADOS.		

REGAL REGAL-BELOIT CORPORATION

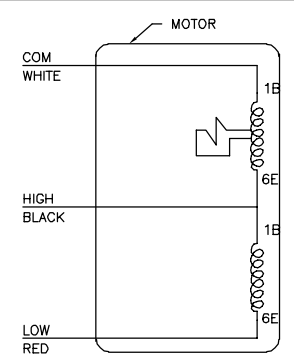
DESCRIPCION:	
MODEL-RFHP-42FR OUTLINE	
TAMAÑO: C	NUMERO DE DIBUJO: DA3G7667
ESCALA: NONE	HOJA: 1

版本	ECO	编制	日期	批准	日期
F	0028994	I.ORTIZ	10-16-2012	M.AVILA	10-16-2012



SCHEMATIC-276

ROT.: -CCWLE-CWSE



NAMEPLATE DATA:

Century TIPP CITY, OHIO THERMALLY PROTECTED

SER. DATE & PO# PLT LTR MOD DA3G667N# STK NO 90
 VOLTS 115 HZ 60 AMPS
 RPM 1050 SP PH1 CAP
 INS CL AMB °C HP CONT A.O. ← ROTATION ←
 BRG SLV BK-HI 5.2A 1/8HP RD-LOW 3.5A 1/10HP
 ASSEMBLED IN MEXICO

CONN LABEL
63T283-49

- 形位公差
- 平面度
- 直线度
- ∠ 倾斜度
- ⊥ 垂直度
- // 平行度
- 圆度
- ⊘ 圆柱度
- △ 面轮廓度
- ∩ 线轮廓度
- ↻ 圆跳动
- ⊕ 位置度
- ⊙ 同轴度
- ≡ 对称度

ASME Y14.5M 1994

除另有注明
尺寸公差如下:

英寸	±.1	±.02	±.005	±.0005
毫米	±0.5	±0.13	±0.013	

角度 ±.50 度
 清理毛刺和尖棱
 英寸 .003-.015 毫米 0.1-0.4
 内圆角
 英寸 .020 毫米 0.5
 表面粗糙度
 英制 125 米制 3.2

绘图: DLC 10-16-1998
 批准: TLB 10-16-1998
 第三角投影

图纸格式发布日期 11-11-2011
 图纸格式版本 H

机密: 本图纸及相关信息所有权归REGAL-BELOIT CORPORATION
 未经REGAL-BELOIT CORPORATION书面授权, 不得泄露、
 复制、传播或作其他用途。—版权所有

REGAL REGAL-BELOIT CORPORATION

名称: MODEL-RFHP-42FR
 OUTLINE

图幅: C 图号: DA3G7667

比例: NONE 页号: 1

4

3

2

1

4

3

2

1