

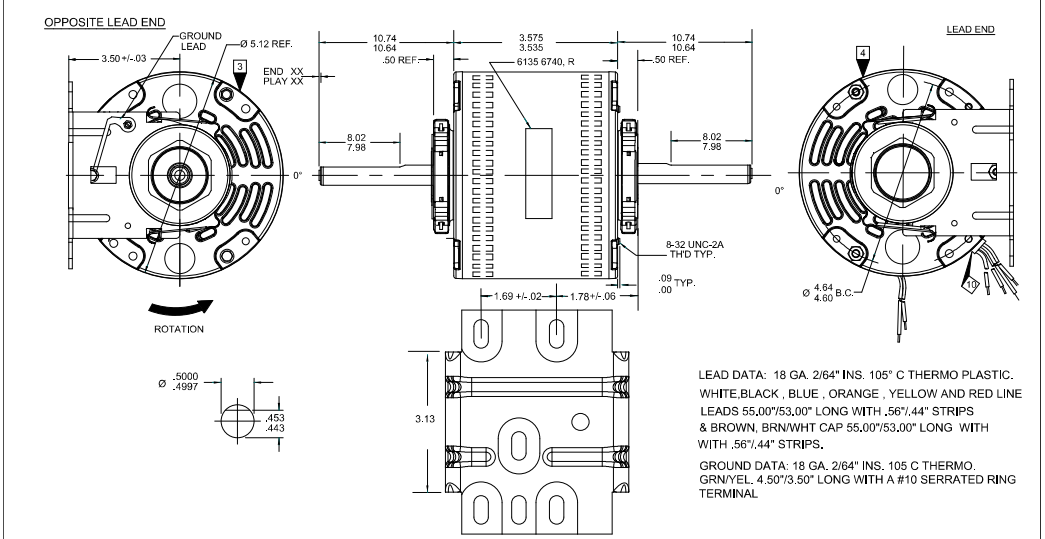
- NOTES
1. STATOR LOCATION DIMENSION IS FROM SLEEVE EDGE (OPPOSITE LEAD END) TO STATOR STEEL 1.04/1.02.
 2. STATOR STACK 7/8" .
 3. THRU AIR SPACING BETWEEN WIRE AND METAL .094 MIN.
 4. TIE BOLT TORQUE TOLERANCE 13-17 IN. LBS.
 5. ASSEMBLE SPRING, 0051 1620, IN OPP. L.E., END SHIELD. ASSEMBLE BEARING SPACER, 0006 1226, IN OPPOSITE END SHIELD.
 6. ASSEMBLE NYLON INSERT 00613346, AROUND LEADS IN LEAD EXIT NOTCH AT 210°.
 7. SALES TO SPECIFY ON P.O. WHICH PACK TO USE.

ECO	REV.	DATE	SPEC/CHECK
NMR-0212382	AA	03-02-22	NV/PR
ECR-0223322	AB	02-27-23	RS/RS
<p>A SEE PACKAGING MANUAL PAGE 2 FOR PACKAGING PROCEDURES.</p> <p>1 MOTOR/CARTON: 8 MOTORS/LAYER: 6 LAYERS/PALLET: 48 MOTORS/PALLET:</p> <p>B CENTER LABEL 6131 6834, ON END OF CARTON.</p> <p>C PLACE PAMPHLET , 6122 4579, IN CARTON WITH MOTOR.</p>			

PROD TEST AT IDLE 115 VOLTS 60 HZ		MOTOR SPEED	PERFORMANCE TEST 115 60 HZ 1 PH 1/10 HP CAP: 5.0 MFD 370 VAC										
AMP	WATT		IDLE			LOADED			LOCKED			BREAK	
			RPM	AMP	WATT	OZ-IN	RPM	AMP	WATT	OZ-IN	AMP	WATT	OZ-IN
1.51 — 1.19	103.4 — 84.6	HIGH	1.35	94	99.1	1050	1.63	165	44.6		266	115.1	
0.74 — 0.58	53.9 — 44.1	MEDHI	0.66	49	58.8	1050	1	98	26.6		164	70.6	
0.50 — 0.40	37.4 — 30.6	MED	0.45	34	40.2	1050	0.7	68	18.2		114	49.4	
0.38 — 0.30	27.5 — 22.5	MEDLO	0.34	25	29.0	1050	0.53	50	13.1		85	36.4	
0.30 — 0.24	22.0 — 18.0	LOW	0.27	20	22.2	1050	0.42	40	10.0		67	28.3	

HI-POT TEST 2000 VOLTS
MAX LEAKAGE CURRENT 5 mA

7187 0430 MA



7187 0430R = ASSEMBLED IN MEXICO

CONNECTION DIAGRAM

V. 115 HZ 60/50 PH 1 AO ROT → MODEL
AMP 1.62 TYPE U187B1 CAP 5.0 MFD 370
HP 1/10 INS CL B NO. 7187-0430 89PSC
RPM 1050 S 390

SHIELDED BALL BEARING THERMALLY PROTECTED

DATE/BAR CODE AREA PER 8882 6003

6135 6740, R REV. AA

SPECIAL INSTRUCTIONS: SHAFT IS BONDERIZED.
MOUNTING RING ASSEMBLED BACKWARD ON LEAD END ENDSHIELD.

MOTORS PACKED MAX. PER SKID: PALLET PACK, 48 CARTON PACK.

CUSTOMER: FASCO DISTRIBUTING CO. FASCO INDUSTRIES, INC.
MOTOR DIVISION
REYNOSA PLANT

PART NUMBER: 89PSC

APPLICATION: DIST. SALES MOTOR TYPE P.S.C. MOTOR NUMBER 7187 0430 REV. AB

FINISH COLOR: BLACK

MOTOR WEIGHT: LBS.

ENVIRONMENT: DRY

INSULATION CLASS: B

B	LA	FR	A	S	C	E	B	A
00	87	32	V	19	9	0	0	0

LOCATE ϕ OF NAMEPLATE ON ϕ OF SLEEVE TO READ RIGHT FROM LEAD END OF MOTOR CENTER AT 360° CWLW FROM 0°.
SIZE 3.50 X 1.00

If Printed, this is an Uncontrolled Document.