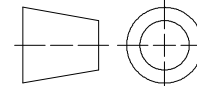




PROPRIETARY INFORMATION NOTICE:
THIS DOCUMENT IS AND CONTAINS CONFIDENTIAL TRADE SECRET INFORMATION OF THE COMPANY AND
REMAINS THE PROPERTY OF THE COMPANY AND IS TO BE RETURNED UPON REQUEST. NEITHER IT NOR
THE INFORMATION IT CONTAINS MAY BE REPRODUCED OR DISCLOSED TO PERSONS NOT HAVING A
NEED-TO-KNOW CONSISTENT WITH THE PURPOSE OF THE LOAN OF THE DOCUMENT.

THIRD ANGLE PROJECTION

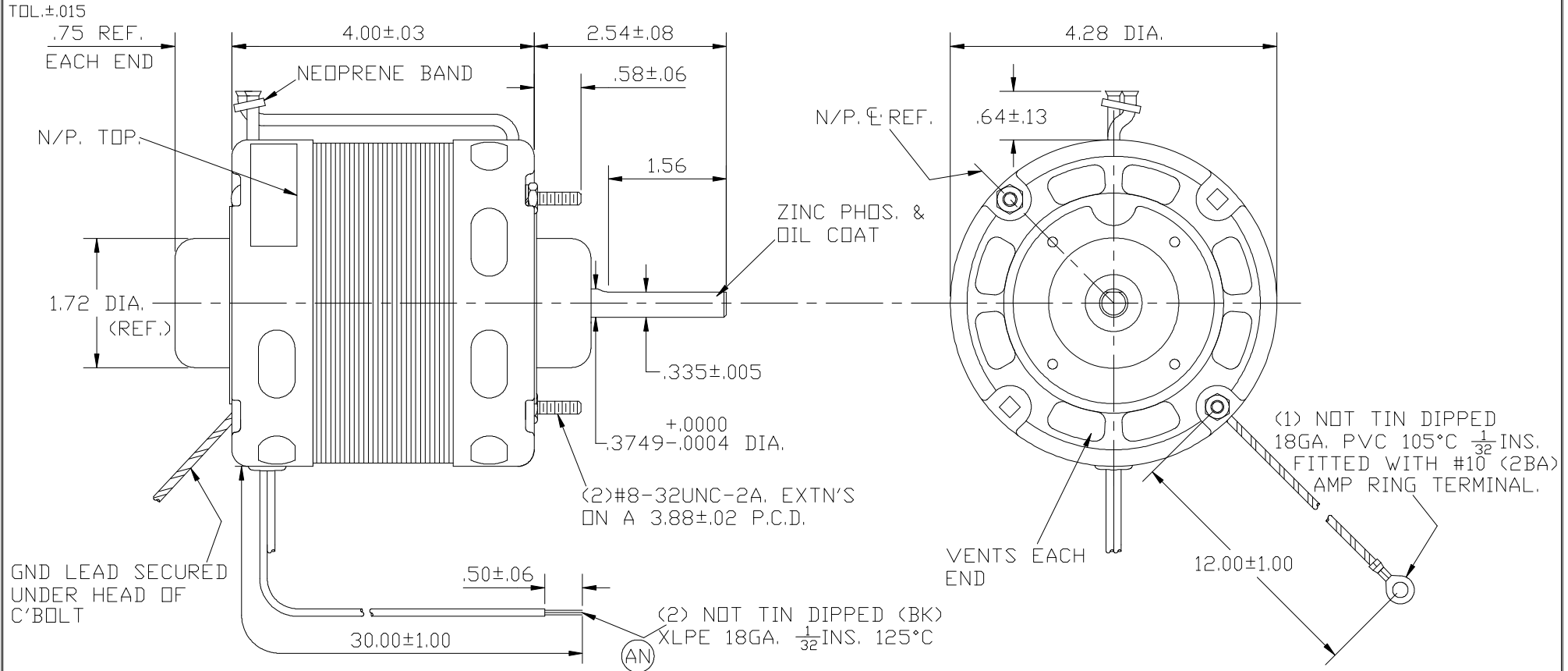


84A

Gainsborough, Lincs DN21 1XU, UK
Tel.: +44(0)1427 614141 Fax.: +44(0)1427 617513

CUSTOMER IS SOLELY RESPONSIBLE FOR MOTOR PERFORMANCE AND SUITABILITY IN APPLICATIONS FOR CUSTOMER'S USES.

ENDPLAY .04 MAX.



ALL DIMENSIONS IN INCHES UNLESS STATED.

AS SAMPLE P03170/5920

ROTATION CCWLE-CWSE

ISSUE 'AR' 16 JUL 12

REGAL - LAVERGNE



NAMEPLATE DATA:

SER DDDYYGB-sonum-J661 MOD CA3J661N# STOCK No 84A
115V 60HZ 4.0A 1/10HP 850RPM 1PH
CONT A.O. ←
THERMALLY PROTECTED. MADE IN UK. WARRANTY VOID IF REMOVED