

GENERAL INFORMATION:

SHAFT RUNOUT: .001[.03] T.I.R. PER INCH LENGTH OF EXTENSION

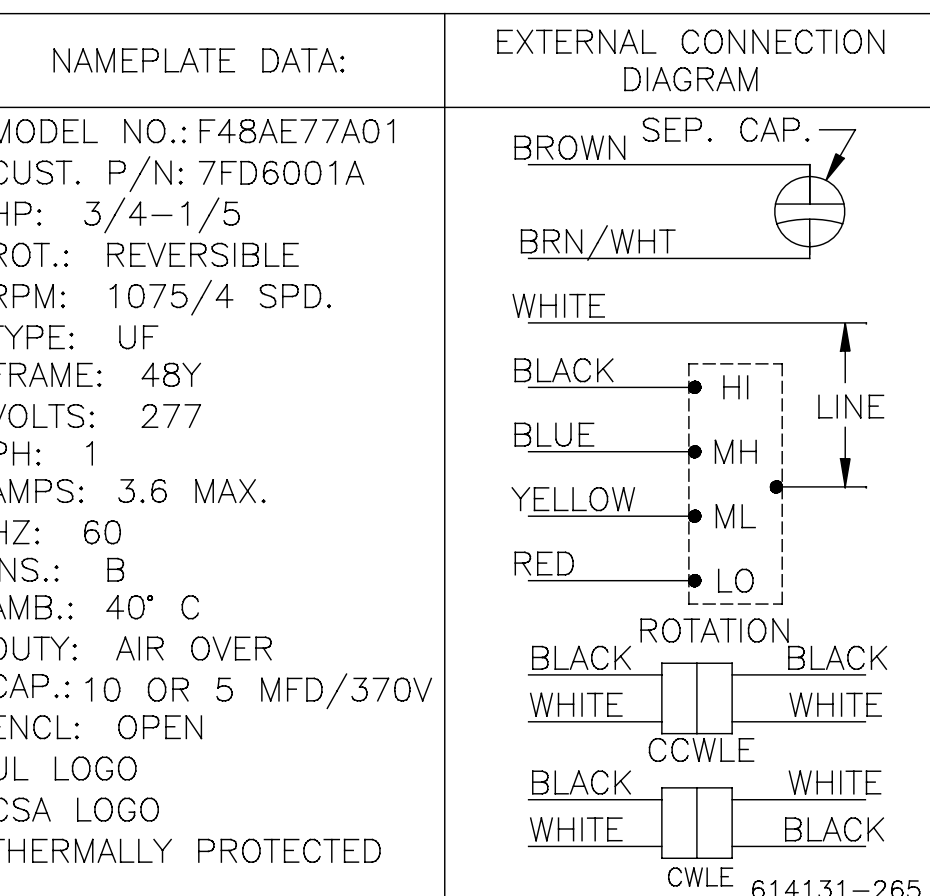
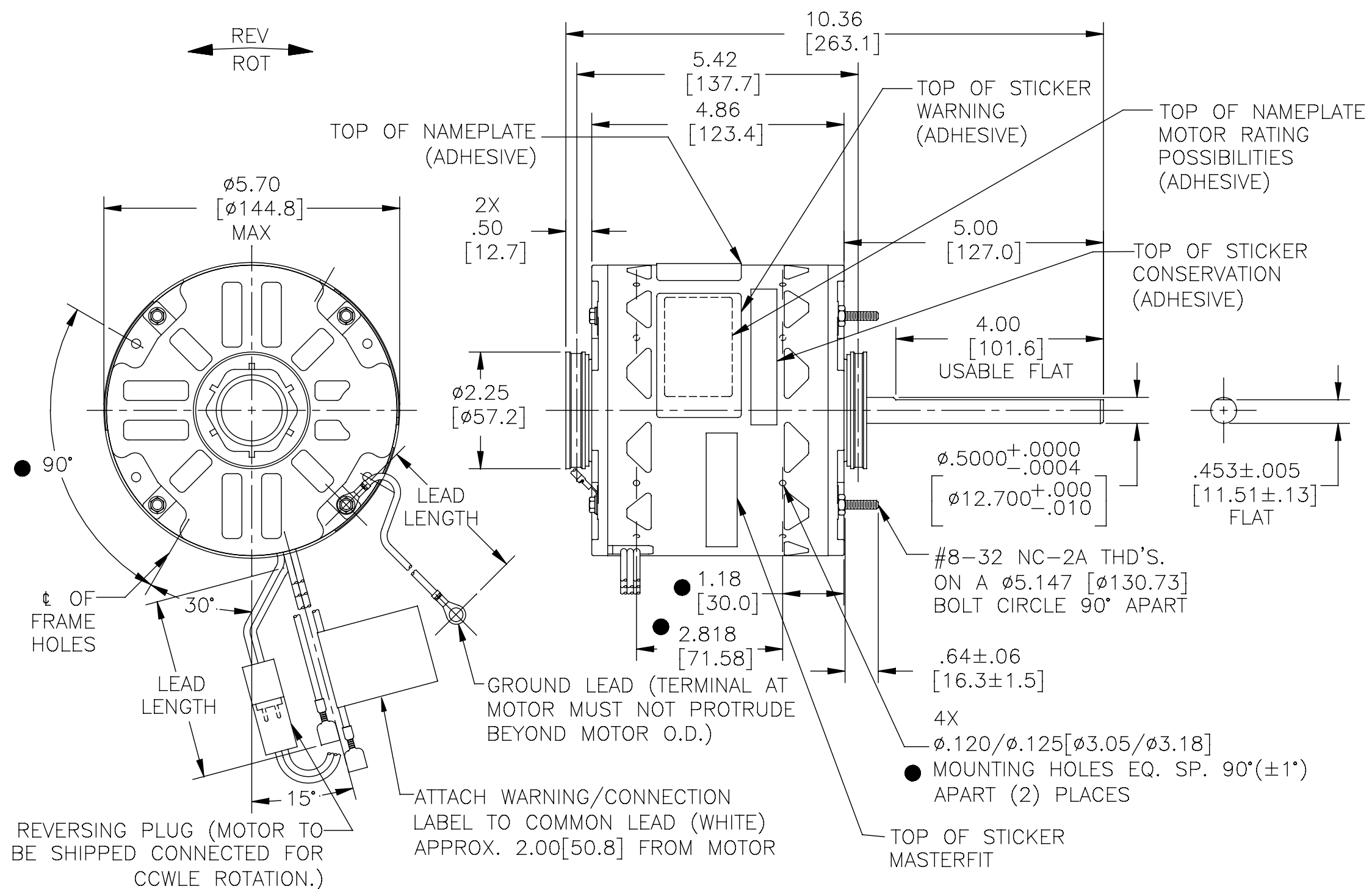
BEARINGS: BALL
MOUNTING POSITION: HORIZONTAL

ELECTRICAL DATA:

OVERLOAD PROTECTOR: AUTOMATIC RESET (SENSATA 7AM 036)
LINE LEADS: NO. 18 GA., .03 [.8] THK. XLP 125°C INSUL.
REVERSING PLUGS: NO. 18 GA., .03 [.8] THK. XLP 125°C INSUL.
GROUND LEAD: NO. 18 GA., .03 [.8] THK. (GREEN) INSUL.

NOTES:

- DENOTES CRITICAL CHARACTERISTICS.
- (4) SPLIT RING ADAPTOR 615035, (OR 53P26-1 ONLY USED IN MEXICO) (8) SCREWS 615982-001, (1) 2518746-001 CLAMP AND ADD QTY 1 2509074-001 CAPACITOR TO BE PUT IN A POLYBAG & BE PACKED WITH EACH MOTOR.



GREEN (GROUND)	9.0/11.0 [229/279]	.25 [6.4] RING
BLACK/WHITE	3.0/5.0 [76/127]	REVERSING PLUG
BROWN	36.5/39.5 [927/1003]	.25[6.4] FEMALE
BROWN/WHITE	36.5/39.5 [927/1003]	.25[6.4] FEMALE
RED	36.5/39.5 [927/1003]	.25[6.4] FEMALE
YELLOW	36.5/39.5 [927/1003]	.25[6.4] FEMALE
BLUE	36.5/39.5 [927/1003]	.25[6.4] FEMALE
BLACK	36.5/39.5 [927/1003]	.25[6.4] FEMALE
WHITE	36.5/39.5 [927/1003]	.25[6.4] FEMALE
COLOR	LENGTH	TERMINAL OR STRIP LENGTH

REGAL-BELOIT CORPORATION (RBC) PROVIDES TECHNICAL ASSISTANCE TO OUR CUSTOMERS IN SEVERAL AREAS. SINCE RBC DOES NOT RECEIVE ALL DATA CONCERNING THE USE AND APPLICATION OF THE MOTOR, THE SUITABILITY OF THE MOTOR FOR THE APPLICATION MUST BE DETERMINED BY THE CUSTOMER.

DIMENSIONS WITHOUT TOLERANCES ARE FOR REFERENCE ONLY.

MAIN FRAME - OLE	OPEN
END FRAME - OLE	OPEN
MAIN FRAME - LE	OPEN
END FRAME - LE	OPEN

CUSTOMER _____ DISTRIBUTION SERVICE _____

DRAWING REVISION	REVISION BY	DATE
D	C.ZHOU	12-01-2015
ECO 0089773	APPROVED BY C.ZHANG	DATE 12-01-2015

ECO DESCRIPTION
@ZONE D2 ADD RATING STACKER

COPYRIGHT REGAL-BELOIT AMERICA, INC. ALL RIGHTS RESERVED. PROPRIETARY AND CONFIDENTIAL INFORMATION - THIS DOCUMENT IS THE PROPERTY OF REGAL-BELOIT AMERICA, INC. (OWNERS) AND CONTAINS OWNERS' PROPRIETARY INFORMATION. ANY PERSON, CORPORATION OR OTHER FIRM RECEIVING IT IS DEEMED, BY RECEIVING IT, TO AGREE THAT IT, AND/OR ANY PART OF IT, SHALL NOT BE DISCLOSED TO ANY PERSON, CORPORATION OR OTHER ENTITY, DUPLICATED, AND/OR USED, EXCEPT AS EXPRESSLY APPROVED IN WRITING IN ADVANCE BY OWNER. THIS DOCUMENT SHALL BE RETURNED TO OWNER UPON REQUEST. IT MAY BE SUBJECT TO CERTAIN RESTRICTIONS UNDER APPLICABLE EXPORT CONTROL LAWS AND REGULATIONS.

DRAWN BY: Y.LIU		
DATE: 05-30-2011		
APPROVED BY: M.HE	DESCRIPTION MODEL-RFHP-48FR OUTLINE	
DATE: 05-30-2011		
REFERENCE	MATERIAL	PROCESS/FINISH
THIRD ANGLE PROJECTION	SIZE DWG NO C 7FD6001A	SHEET 1

PERFORMANCE CURVE NO.	TORQUE @1075 RPM (25°C)	APPROVED SAMPLE	UL COMPONENT FILE #	CCN #	CSA FILE #	CLASS #
C0000687	57.8 OZ. FT.	X-0004024	E46412	PRGY2	LR43341	4211-01