

GENERAL INFORMATION:

SHAFT RUNOUT: .001[.03] T.I.R. PER INCH LENGTH OF EXTENSION.

END PLAY: .010[.03] TO .063[1.60]

BEARINGS: SLEEVE

MOUNTING POSITION: HORIZONTAL

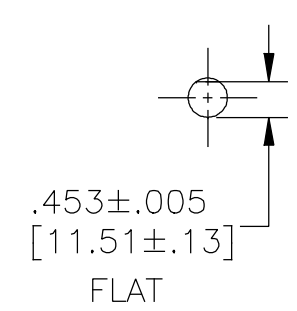
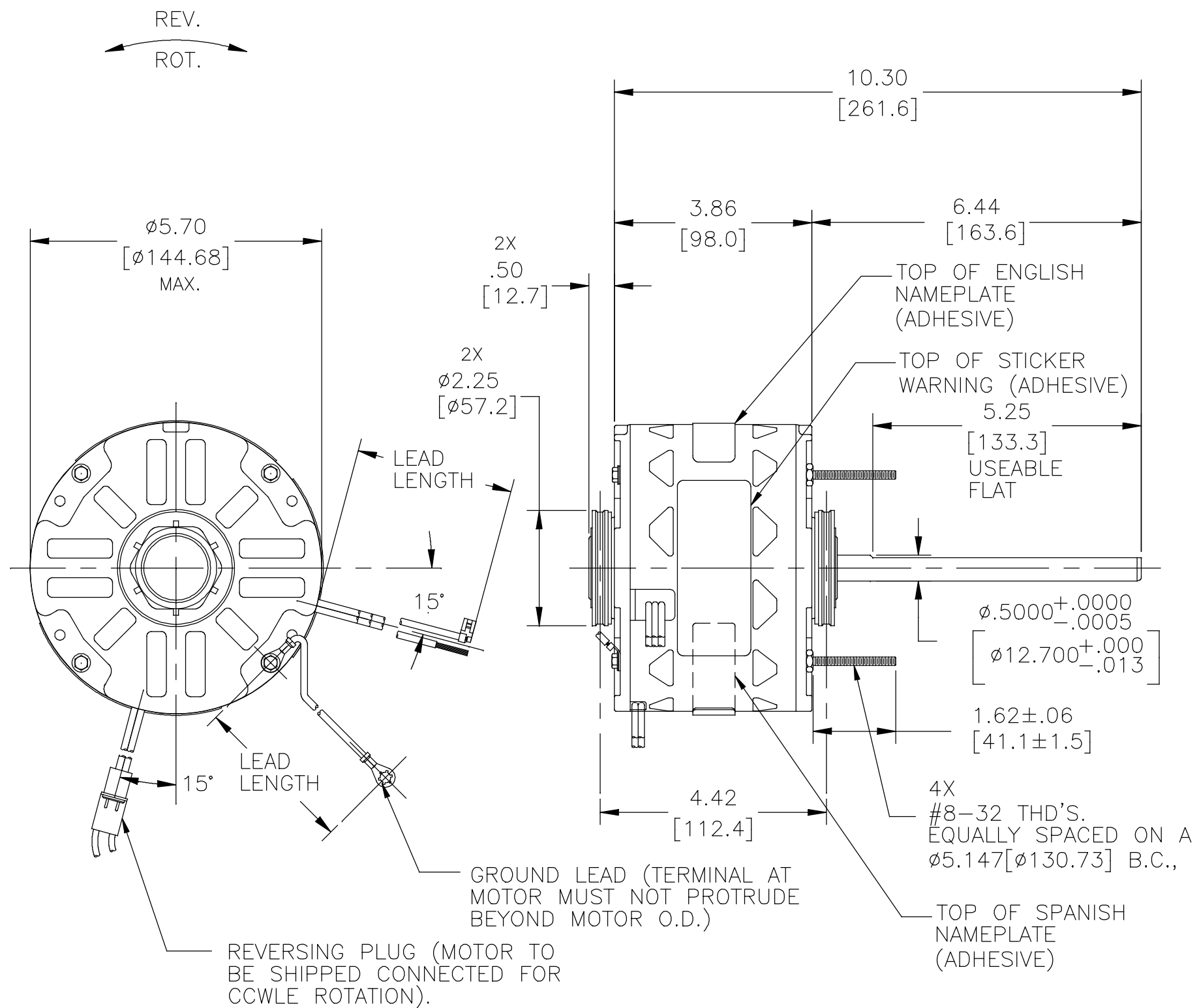
ELECTRICAL DATA:

OVERLOAD PROTECTOR: AUTOMATIC RESET (T.I. 7AM 036)

LEADS: NO. 18 GA., .06[1.5] THK., PVC 105°C INSUL.

REVERSING LEADS: NO. 18 GA., .03[.8] THK., 125°C INSUL.

GROUND LEAD: NO. 18 GA., .03[.8] THK., (GREEN) INSUL.



| | | |
|-------------|------------------------|--------------------------|
| GREEN(GRD) | 12.0/13.0 [305/330] | #10 EYELET |
| BLACK/WHITE | 3.0/5.0 [76/127] | REVERSING PLUG |
| BROWN | 26.0/28.0 [660/711] | .25[6.4] FLAG |
| BROWN/WHITE | 26.0/28.0 [660/711] | .25[6.4] FLAG |
| YELLOW | 26.0/28.0 [660/711] | .50[12.7] SKIN |
| BLACK | 26.0/28.0 [660/711] | .50[12.7] SKIN |
| BLUE | 26.0/28.0 [660/711] | .50[12.7] SKIN |
| RED | 26.0/28.0 [660/711] | .50[12.7] SKIN |
| COLOR | LENGTH | TERMINAL OR STRIP LENGTH |

NOTE:
1. SNAP RINGS 615035 4 X TO BE PACKED WITH EACH MOTOR

| | |
|------------------|------|
| MAIN FRAME - OLE | OPEN |
| END FRAME - OLE | OPEN |
| MAIN FRAME - LE | OPEN |
| END FRAME - LE | OPEN |

| | |
|----------|-----------------------|
| CUSTOMER | DISTRIBUTION SERVICES |
|----------|-----------------------|

| NAMEPLATE DATA: | EXTERNAL CONNECTION DIAGRAM |
|---|-----------------------------|
| MODEL NO.: F48A29A01 CUST. P/N: 7FD1026 HP: 1/4 ROT.: REVERSIBLE RPM: 1075/3 SPD TYPE: UF FRAME: 48Y VOLTS: 277 PH: 1 AMPS: 1.3(1.6 MAX) HZ: 60 INS.: B AMB.: 50° C DUTY: AIR OVER CAP.: 5 MFD/370V ENCL: OPEN UL LOGO CSA LOGO THERMALLY PROTECTED | |

| PERFORMANCE CURVE NO. | TORQUE @ 1075 RPM (25°C) | APPROVED SAMPLE | UL COMPONENT FILE # | CCN # | CSA FILE # | CLASS # |
|-----------------------|--------------------------|-----------------|---------------------|-------|------------|---------|
| C23306 | 18.2 OZ. FT. | EX11391 | E46412 | PRGY2 | LR43341 | 4211-01 |

| | | |
|-------------------------|------------------------|-----------------|
| DRAWING REVISION C | REVISION BY HANNA.ZOU | DATE 04-29-2019 |
| ECO-0165194 | APPROVED BY KEYUN.GONG | DATE 04-29-2019 |
| ECO DESCRIPTION SEE ECO | | |

COPYRIGHT REGAL BELOIT AMERICA, INC. ALL RIGHTS RESERVED. PROPRIETARY AND CONFIDENTIAL INFORMATION - THIS DOCUMENT IS THE PROPERTY OF REGAL BELOIT AMERICA, INC. (OWNER) AND CONTAINS OWNER'S PROPRIETARY INFORMATION. ANY PERSON, CORPORATION OR OTHER FIRM RECEIVING IT IS DEEMED, BY RECEIVING IT, TO AGREE THAT IT, AND/OR ANY PART OF IT, SHALL NOT BE DISCLOSED TO ANY PERSON, CORPORATION OR OTHER ENTITY, DUPLICATED, AND/OR USED, EXCEPT AS EXPRESSLY APPROVED IN WRITING IN ADVANCE BY OWNER. THIS DOCUMENT SHALL BE RETURNED TO OWNER UPON REQUEST. IT MAY BE SUBJECT TO CERTAIN RESTRICTIONS UNDER APPLICABLE EXPORT CONTROL LAWS AND REGULATIONS.

| | |
|------------------------|-------------------------------------|
| DRAWN BY: B.ZHAO | Regal Beloit America, Inc. |
| DATE: 01-19-2012 | |
| APPROVED BY: B.SHEN | |
| DATE: 01-19-2012 | |
| PROCESS/FINISH | DESCRIPTION MODEL-RFHP-48FR OUTLINE |
| THIRD ANGLE PROJECTION | MATERIAL |
| SIZE DWG NO C 7FD1026 | SHEET 1 |