

4

3

2

1

REV	ECO	REV BY	DATE	APPD	DATE
E	0025528	E.SINECIO	04-24-2012	R.RASCON	04-24-2012

GENERAL INFORMATION:

SHAFT RUNOUT: .001 [.03] T.I.R. PER INCH LENGTH OF EXTENSION

END PLAY: .010 TO .063 [.25 TO 1.60]

BEARINGS: SLEEVE

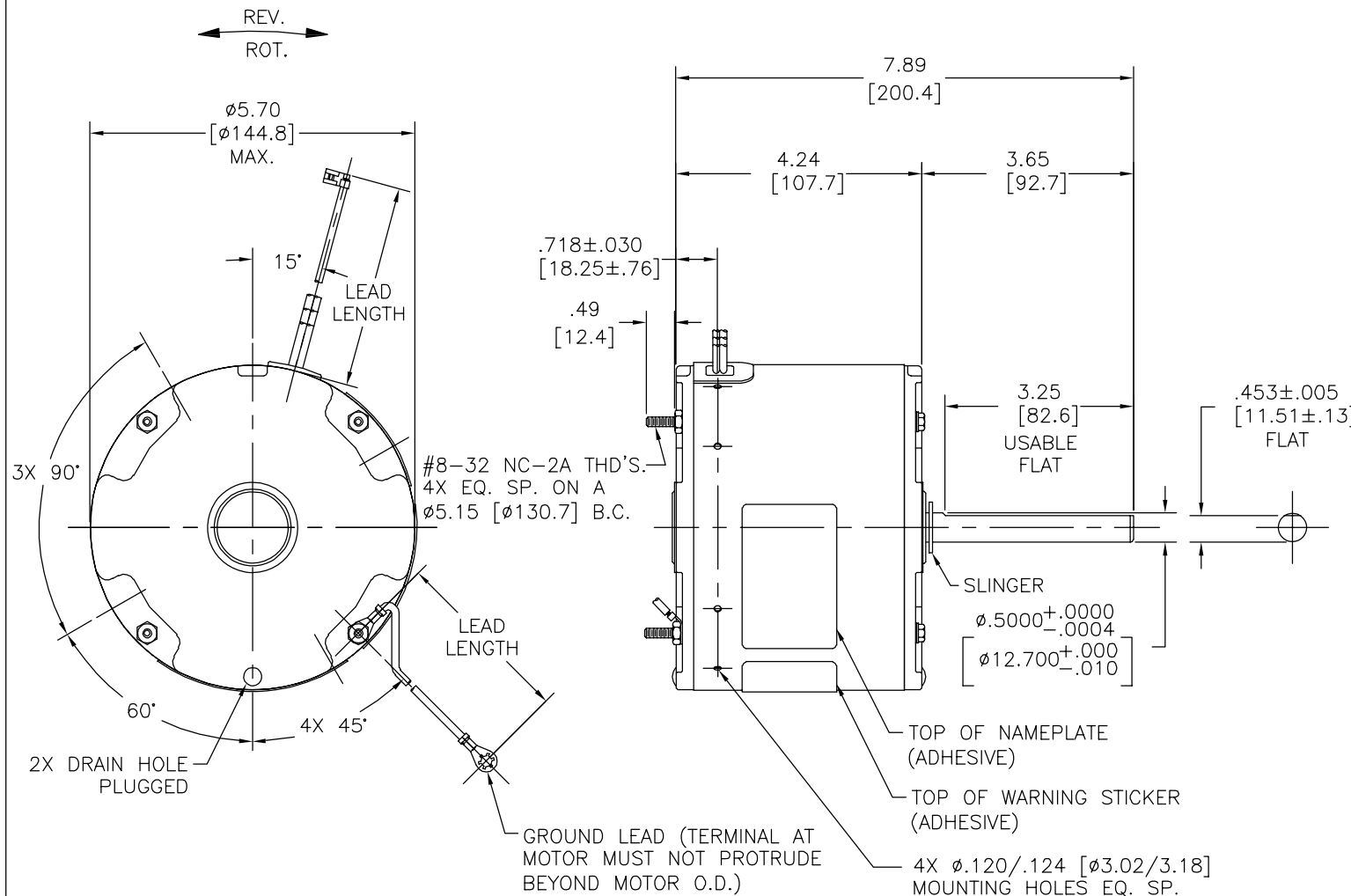
MOUNTING POSITION: ALL ANGLE

ELECTRICAL DATA:

OVERLOAD PROTECTOR: AUTOMATIC RESET (T.I. 7AM 036)

LEADS: NO. 18 GA., .06 [1.5] THK. PVC 105°C INSUL.

GROUND LEAD: NO. 18 GA., .03 [.8] THK. (GREEN/YELLOW) INSUL.



GREEN/YELLOW (GROUND)	5.0/7.0 [127/178]	#10 EYELET
PURPLE	35.0/37.0 [889/940]	.25 [6.4] FLAG
BROWN	35.0/37.0 [889/940]	.25 [6.4] FLAG
ORANGE	35.0/37.0 [889/940]	.25 [6.4] FLAG
YELLOW	35.0/37.0 [889/940]	.25 [6.4] FLAG
BLACK	35.0/37.0 [889/940]	.25 [6.4] FLAG
COLOR	LENGTH	TERMINAL OR STRIP LENGTH

- NOTES:
- SHIP MOTOR CONNECTED FOR CCWLE ROTATION.
 - 4X SCREWS 15771401; 4X LOCKWASHERS 20PS8-B3; 4X HEX NUTS 368C210H05 AND SHIPPED SEPARATE IN EACH CARTON

MAIN FRAME - OLE	ENCLOSED
END FRAME - OLE	ENCLOSED
MAIN FRAME - LE	ENCLOSED
END FRAME - LE	ENCLOSED

CUSTOMER	DISTRIBUTION SERVICES
----------	-----------------------

NAMEPLATE DATA:	EXTERNAL CONNECTION DIAGRAM
MODEL NO.: F48Z19A01 CUST. P/N: 795A HP: 1/5 ROT.: REVERSIBLE RPM: 825 TYPE: UF FRAME: 48Y VOLTS: 208-230 PH: 1 AMPS: 1.4/1.3 HZ: 60 INS.: B AMB.: 40° C DUTY: AIR OVER CAP.: 5MFD/370V @ 230V 7.5 MFD/370V @ 208V ENCL: ENCLOSED UL LOGO CSA LOGO THERMALLY PROTECTED	<p>SEP. CAP.</p> <p>BROWN</p> <p>YELLOW</p> <p>BLACK</p> <p>ORANGE</p> <p>PURPLE</p> <p>LINE</p> <p>SHOWN FOR CCWLE ROTATION, FOR CWLE INTERCHANGE PURPLE AND BROWN LEADS</p> <p>614131-354</p>

PERFORMANCE CURVE NO.	TORQUE @ 850 RPM (25°C)	APPROVED SAMPLE	UL COMPONENT FILE #	CCN #	CSA FILE #	CLASS #
C32685	19.8 OZ. FT.	0603186A	E46412	PRGY2	LR43341	4211-01

GEOMETRIC CHARACTERISTICS & SYMBOLS

- ▧ FLATNESS
- STRAIGHTNESS
- ∠ ANGULARITY
- ⊥ PERPENDICULARITY (SQUARENESS)
- ∥ PARALLELISM
- ROUNDNESS (CIRCULARITY)
- ∅ CYLINDRICITY
- △ PROFILE OF ANY SURFACE
- ∇ PROFILE OF ANY LINE
- ↑ RUNOUT
- ⊕ TRUE POSITION
- ◎ CONCENTRICITY
- = SYMMETRY

ASME Y14.5M 1994

REGAL-BELOIT CORPORATION (RBC) PROVIDES TECHNICAL ASSISTANCE TO OUR CUSTOMERS IN SEVERAL AREAS. SINCE RBC DOES NOT RECEIVE ALL DATA CONCERNING THE USE AND APPLICATION OF THE MOTOR, THE SUITABILITY OF THE MOTOR FOR THE APPLICATION MUST BE DETERMINED BY THE CUSTOMER.

DIMENSIONS WITHOUT TOLERANCES ARE FOR REFERENCE ONLY.

DR BY: S.RECKERS 06-13-2007

APPD: T.RILEY 01-29-2008

THIRD ANGLE PROJECTION

EDS DATE 02-22-2008

FORMAT REV G

CONFIDENTIAL: THIS DRAWING AND ITS INFORMATION ARE THE EXCLUSIVE AND CONFIDENTIAL PROPERTY OF REGAL-BELOIT CORPORATION AND ARE NOT TO BE DISCLOSED, DUPLICATED, DISTRIBUTED OR OTHERWISE USED WITHOUT THE WRITTEN CONSENT OF REGAL-BELOIT CORPORATION. -ALL RIGHTS RESERVED.

DESCRIPTION	
MODEL-RFHP-48FR OUTLINE	
SIZE C	DWG NO 795A
SCALE NONE	SHEET 1

4

3

2

1

4

3

2

1

REVISION:	ECO	REVISADO POR:	FECHA:	APROBADO POR:	FECHA:
E	0025528	E.SINECIO	04-24-2012	R.RASCON	04-24-2012

INFORMACION GENERAL:

OSCILAMIENTO DE FLECHA: .001 [.03] L.T.I. DE ACUERDO A LONGITUD DE EXT. POR PULG.

JUEGO AXIAL: .010 A .063 [.25 A 1.60]

BALEROS: MANGA

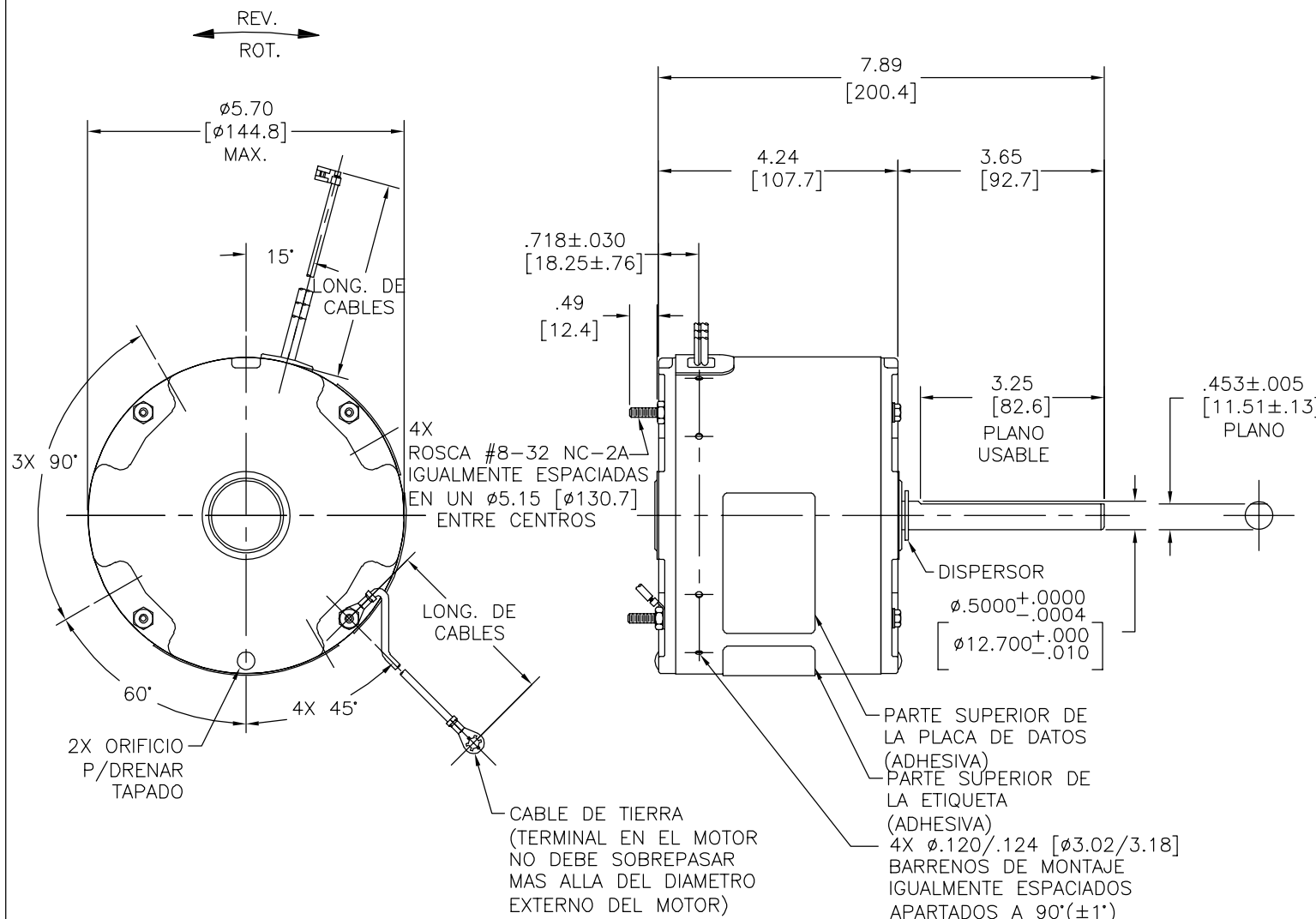
POSICION DE MONTAJE: TODOS LOS ANGULOS

INFORMACION ELECTRICA:

SOBRECARGA DEL PROTECTOR: REINICIO AUTOMATICO (T.I. 7AM 036)

CABLES: CAL. NO. 18, .06 [1.5] ESP. PVC 105°C AISL.

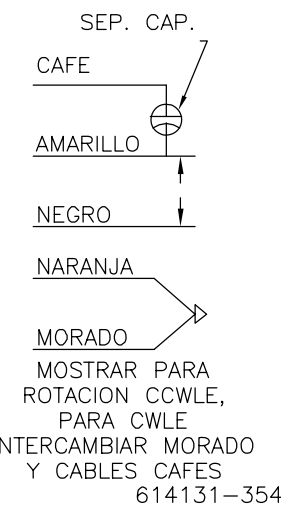
CABLE DE TIERRA: CAL. NO. 18, .03 [.8] ESP. (VERDE/AMARILLO) AISL.



INF. PLACA DE DATOS:

DIAGRAMA DE CONEXION EXTERNA

MODEL NO.: F48Z19A01
 CUST. P/N: 795A
 HP: 1/5
 ROT.: REVERSIBLE
 RPM: 825
 TYPE: UF
 FRAME: 48Y
 VOLTS: 208-230
 PH: 1
 AMPS: 1.4/1.3
 HZ: 60
 INS.: B
 AMB.: 40° C
 DUTY: AIR OVER
 CAP.: 5MFD/370V @ 230V
 7.5 MFD/370V @ 208V
 ENCL: ENCLOSED
 UL LOGO
 CSA LOGO
 THERMALLY PROTECTED



VERDE/AMARILLO (TIERRA)	5.0/7.0 [127/178]	#10 OJAL
MORADO	35.0/37.0 [889/940]	.25 [6.4] TIPO BANDERA
CAFE	35.0/37.0 [889/940]	.25 [6.4] TIPO BANDERA
NARANJA	35.0/37.0 [889/940]	.25 [6.4] TIPO BANDERA
AMARILLO	35.0/37.0 [889/940]	.25 [6.4] TIPO BANDERA
NEGRO	35.0/37.0 [889/940]	.25 [6.4] TIPO BANDERA
COLOR	LONGITUD	TERMIANL O LONGITUD DE DESFORRE

- NOTAS:
1. ENVIAR MOTOR CONECTADO PARA ROTACION CCWLE.
 2. 4X SCREWS 15771401;
 4X LOCKWASHERS 20PS8-B3;
 4X HEX NUTS 368C210H05
 AND SHIPPED SEPARATE IN EACH CARTON

CUERPO PPAL. -OLE	CERRADO
TAPA FINAL- OLE	CERRADO
CUERPO PPAL. -LE	CERRADO
TAPA FINAL - LE	CERRADO

CLIENTE	DISTRIBUTION SERVICES
---------	-----------------------

INFORMACION DE CABLES

CARACTERISTICAS DE GEOMETRIA Y SIMBOLOS
 ▽ PLANICIDAD
 — RECTITUD
 < ANGULARIDAD
 ⊥ PERPENDICULARIDAD (A ESCUADRA)
 // PARALELISMO
 ○ REDONDEZ (CIRCULARIDAD)
 ∅ CILINDRICIDAD
 △ PERFIL DE CUALQUIER SUPERFICIE
 ∩ PERFIL DE CUALQUIER LINEA
 ↗ VARIACION
 ⊕ POSICION REAL
 ⊙ CONCENTRICIDAD
 = SIMETRIA
 ASME Y14.5M 1994

REGAL-BELOIT CORPORATION (RBC) PROVEE ASISTENCIA TECNICA A NUESTROS CLIENTES EN VARIAS AREAS, DESDE QUE RBC NO RECIBE TODOS LOS DATOS EN RELACION AL USO Y A LA APLICACION DEL MOTOR, LA APLICACION ADECUADA DEL MOTOR DEBE SER DETERMINADA POR EL CLIENTE.

DIMENSIONES SIN TOLERANCIA SON DE REFERENCIA SOLAMENTE

DIBUJADO POR: S.RECKERS 06-13-2007
 APROBADO POR: T.RILEY 01-29-2008
 TERCER ANGULO DE PROYECCION
 FECHA EDS: 02-22-2008
 REV. FORMATO: G
 CONFIDENCIAL: ESTE DIBUJO Y SU INFORMACION SON PROPIEDAD DE USO EXCLUSIVO Y CONFIDENCIAL DE REGAL-BELOIT CORPORATION. Y NO DEBERAN SER REVELADOS, DUPLICADOS, DISTRIBUIDOS O USARSE DE OTRA MANERA SIN EL CONSENTIMIENTO ESCRITO DE REGAL-BELOIT CORPORATION. -TODOS LOS DERECHOS RESERVADOS.



DESCRIPCION: MODEL-RFHP-48FR OUTLINE
 TAMAÑO: C NUMERO DE DIBUJO: 795A
 ESCALA: NONE HOJA: 1

4

3

2

1

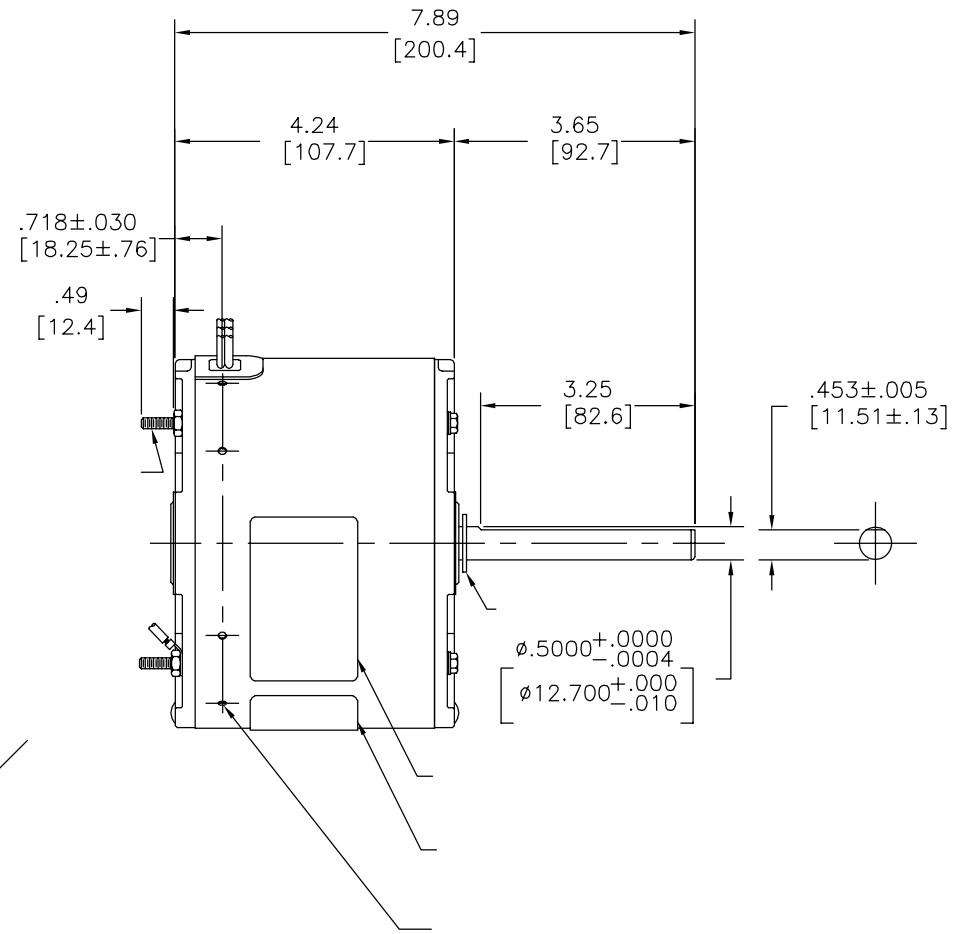
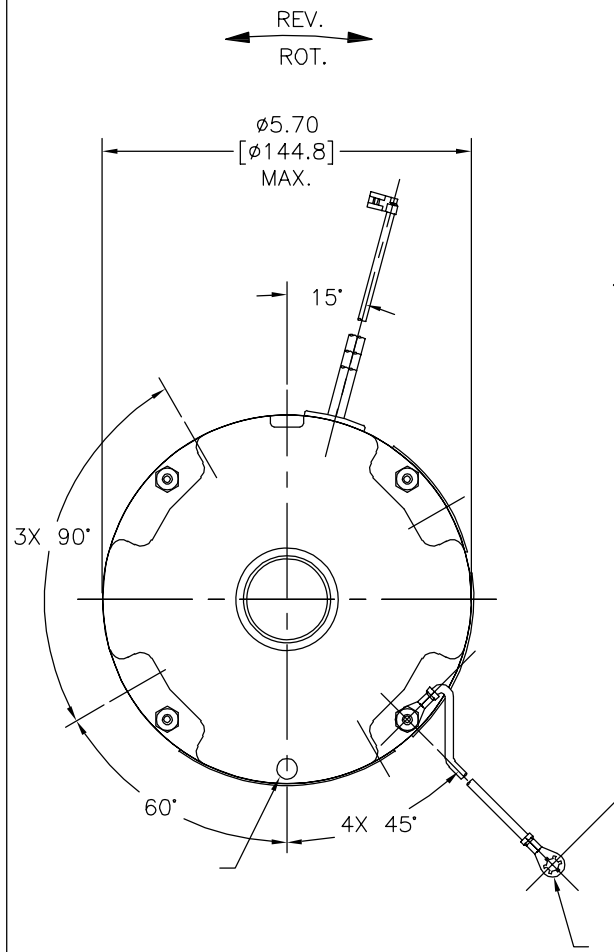
4

3

2

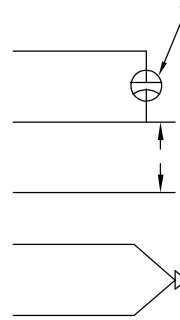
1

版本	ECO	编制	日期	批准	日期
E	0025528	E.SINECIO	04-24-2012	R.RASCON	04-24-2012



MODEL NO.: F48Z19A01
 CUST. P/N: 795A
 HP: 1/5
 ROT.: REVERSIBLE
 RPM: 825
 TYPE: UF
 FRAME: 48Y
 VOLTS: 208-230
 PH: 1
 AMPS: 1.4/1.3
 HZ: 60
 INS.: B
 AMB.: 40° C
 DUTY: AIR OVER
 CAP.: 5MFD/370V @ 230V
 7.5 MFD/370V @ 208V
 ENCL: ENCLOSED
 UL LOGO
 CSA LOGO
 THERMALLY PROTECTED

SEP. CAP.



614131-354

	5.0/7.0	
	[127/178]	
	35.0/37.0	
	[889/940]	
	35.0/37.0	
	[889/940]	
	35.0/37.0	
	[889/940]	
	35.0/37.0	
	[889/940]	
	35.0/37.0	
	[889/940]	

							CSA
				CCN #			
C32685	19.8 OZ. FT.	0603186A	E46412	PRGY2	LR43341	4211-01	

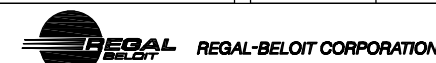
- 形位公差
- 平面度
- 直线度
- ∠ 倾斜度
- ⊥ 垂直度
- // 平行度
- 圆度
- ⊘ 圆柱度
- △ 面轮廓度
- ∩ 线轮廓度
- ↗ 圆跳动
- ⊕ 位置度
- ⊙ 同轴度
- ≡ 对称度

ASME Y14.5M 1994

REGAL-BELOIT CORPORATION (RBC) 在个别领域为客户提供技术支持。鉴于RBC未收到任何涉及电机使用和应用环境的数据，电机的适用性由客户自己决定。

未注公差尺寸仅供参考。

绘图: S.RECKERS 06-13-2007
 批准: T.RILEY 01-29-2008
 第三角投影
 名称: 图纸格式发布日期 02-22-2008
 图纸格式版本 G
 机密: 本图纸及相关信息所有权归REGAL-BELOIT CORPORATION。未经REGAL-BELOIT CORPORATION书面授权, 不得泄露、复制、传播或作其他用途。—版权所有



名称: MODEL-RFHP-48FR
 OUTLINE

图幅: C 图号: 795A

比例: NONE 页号: 1

4

3

2

1