

GENERAL INFORMATION:

SHAFT RUNOUT: .001 [.03] T.I.R. PER INCH LENGTH OF EXTENSION

BEARINGS: BALL

MOUNTING POSITION: ALL ANGLE

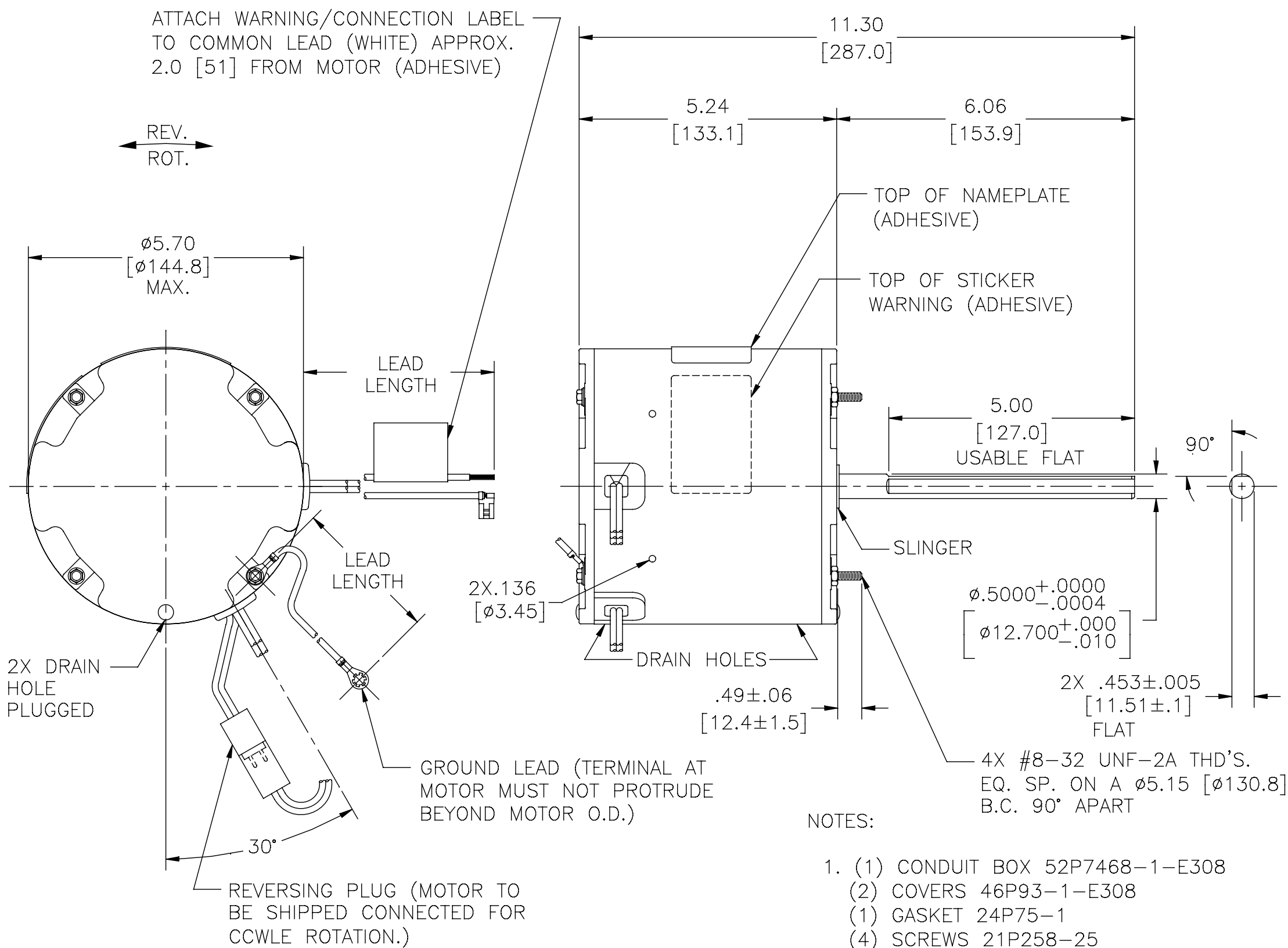
ELECTRICAL DATA:

OVERLOAD PROTECTOR: AUTOMATIC RESET (SENSATA 7AM 036)

LEADS: NO. 18 GA., .06 [1.5] THK. PVC 105°C INSUL.

REVERSING PLUGS: NO. 18 GA., .03 [.8] THK. XLP 125°C INSUL.

GROUND LEAD: NO. 16 GA., .03 [.8] THK. (GREEN/YELLOW) INSUL.



- NOTES:
- (1) CONDUIT BOX 52P7468-1-E308
 - (2) COVERS 46P93-1-E308
 - (1) GASKET 24P75-1
 - (4) SCREWS 21P258-25 TO BE PUT IN POLY BAG AND PACKED SEPARATE WITH EACH MOTOR.

NAMEPLATE DATA:

MODEL NO.: F48Z64A01

CUST. P/N: 789A

HP: 1/3

ROT.: REVERSIBLE

RPM: 1075

TYPE: UF

FRAME: 48Y

VOLTS: 460

PH: 1

AMPS: 1.0

HZ: 60

INS.: B

AMB.: 60° C

DUTY: AIR OVER

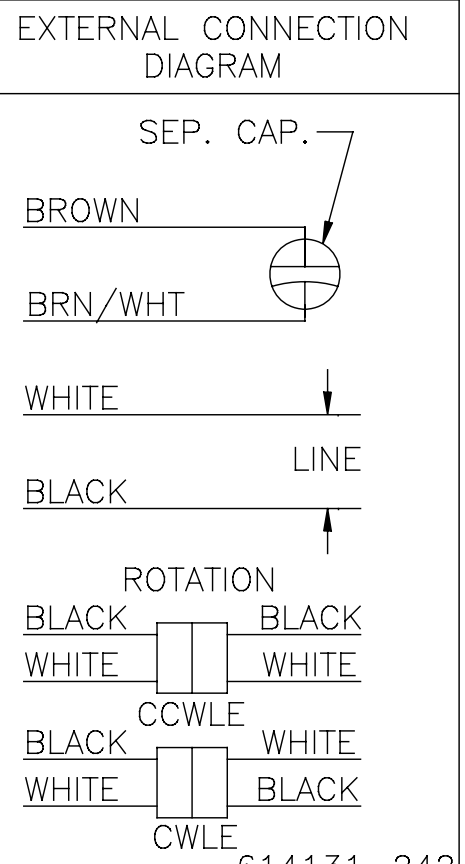
CAP.: 7.5 MFD/370 V

ENCL: ENCLOSED

UL LOGO

CSA LOGO

THERMALLY PROTECTED



COLOR	LENGTH	TERMINAL OR STRIP LENGTH
GREEN/YELLOW (GROUND)	11.0/13.0 [279/330]	#10 EYELET
BLACK/WHITE	3.0/5.0 [76/127]	REVERSING PLUG
BROWN	25.0/27.0 [635/686]	.25 [6.4] FLAG
BROWN/WHITE	25.0/27.0 [635/686]	.25 [6.4] FLAG
WHITE	25.0/27.0 [635/686]	.50 [12.7] SKIN
BLACK	25.0/27.0 [635/686]	.50 [12.7] SKIN

REGAL-BELOIT CORPORATION (RBC) PROVIDES TECHNICAL ASSISTANCE TO OUR CUSTOMERS IN SEVERAL AREAS. SINCE RBC DOES NOT RECEIVE ALL DATA CONCERNING THE USE AND APPLICATION OF THE MOTOR, THE SUITABILITY OF THE MOTOR FOR THE APPLICATION MUST BE DETERMINED BY THE CUSTOMER.

DIMENSIONS WITHOUT TOLERANCES ARE FOR REFERENCE ONLY.

MAIN FRAME - OLE	ENCLOSED
END FRAME - OLE	ENCLOSED
MAIN FRAME - LE	ENCLOSED
END FRAME - LE	ENCLOSED

CUSTOMER	DISTRIBUTION SERVICE
----------	----------------------

PERFORMANCE CURVE NO.	TORQUE @ 1075 RPM (25°C)	APPROVED SAMPLE	UL COMPONENT FILE #	CCN #	CSA FILE #	CLASS #
C32721	32.7 OZ. FT.	0603094B	E46412	PRGY2	LR43341	4211-01

DRAWING REVISION C

REVISION BY J. Rupert

DATE 11-10-2015

ECO-0077018

APPROVED BY J. Rupert

DATE 11-10-2015

ECO DESCRIPTION CORRECTED LEAD TERMINALS

COPYRIGHT REGAL-BELOIT AMERICA, INC. ALL RIGHTS RESERVED. PROPRIETARY AND CONFIDENTIAL INFORMATION - THIS DOCUMENT IS THE PROPERTY OF REGAL-BELOIT AMERICA, INC. (OWNERS) AND CONTAINS OWNERS PROPRIETARY INFORMATION. ANY PERSON, CORPORATION OR OTHER FIRM RECEIVING IT IS DEEMED, BY RECEIVING IT, TO AGREE THAT IT, AND/OR ANY PART OF IT, SHALL NOT BE DISCLOSED TO ANY PERSON, CORPORATION OR OTHER ENTITY, DUPLICATED, AND/OR USED, EXCEPT AS EXPRESSLY APPROVED IN WRITING IN ADVANCE BY OWNER. THIS DOCUMENT SHALL BE RETURNED TO OWNER UPON REQUEST. IT MAY BE SUBJECT TO CERTAIN RESTRICTIONS UNDER APPLICABLE EXPORT CONTROL LAWS AND REGULATIONS.

DRAWN BY: J. Rupert

DATE: 05-13-2011

APPROVED BY: J. Rupert

DATE: 05-13-2011

PROCESS/FINISH

THIRD ANGLE PROJECTION

REGAL™ Regal Beloit America, Inc.

DESCRIPTION MODEL-RFHP-48FR OUTLINE

MATERIAL

SIZE DWG NO. C 789A

SHEET 1