

4

3

2

1

REV	ECO	REV BY	DATE	APPD	DATE
E	0025527	J.AGUILERA	04-24-2012	R.RASCON	04-24-2012

GENERAL INFORMATION:

SHAFT RUNOUT: .001[.03] T.I.R. PER INCH LENGTH OF EXTENSION

BEARINGS: BALL

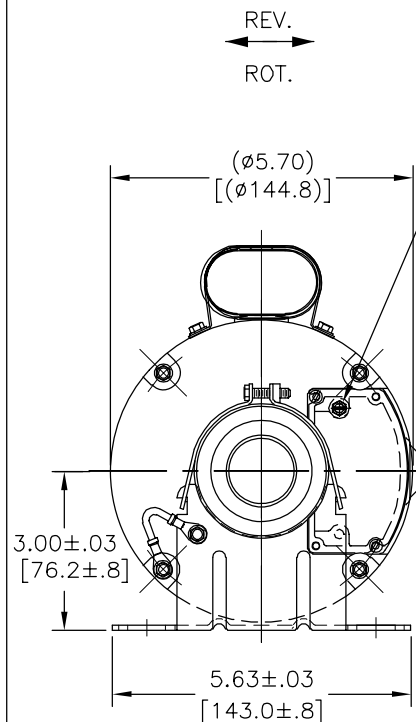
MOUNTING POSITION: HORIZONTAL

ELECTRICAL DATA:

OVERLOAD PROTECTOR: AUTOMATIC RESET (T.I. 7AM 036)

LEADS: NO. 18 GA., .03[.8] THK. 125°C INSUL.

GROUND LEAD: NO. 18 GA., .03[.8] THK. (GREEN/YELLOW) INSUL.



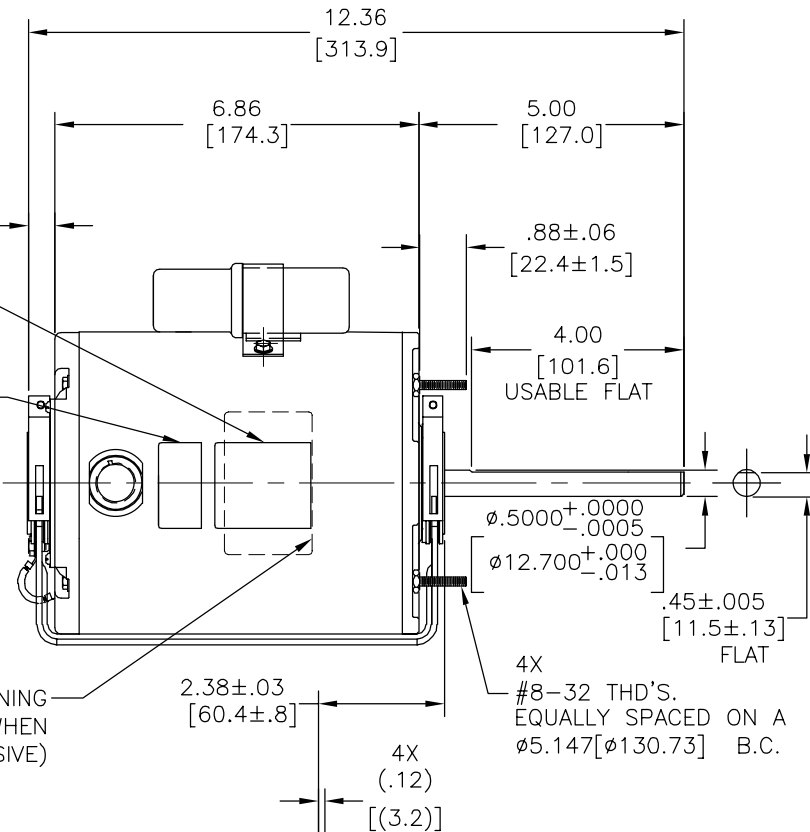
#10-32 GREEN GROUND SCREW BINDING HEAD.  
2X (.50) [(12.7)]

TOP OF NAMEPLATE (ADHESIVE)

TOP OF CONNECTION DIAGRAM (ADHESIVE)

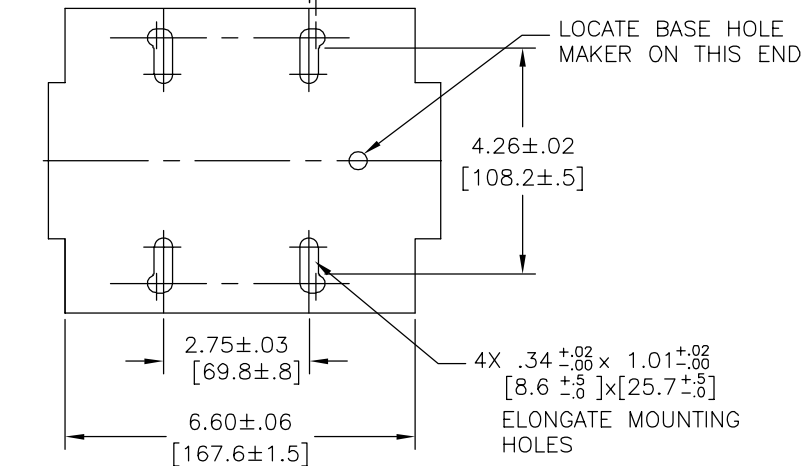
CONDUIT PLUG

TOP OF WARNING STICKER (WHEN REQ'D)(ADHESIVE)



- NOTES:  
1. SHIP SEPARATE 72T7140A-3 BAG ASSEMBLY.  
2. MOTOR TO BE SHIPPED CONNECTED FOR CCWLE ROTATION AND 115 VOLTS.

GREEN/YELLOW (GRD)	3.0/5.0 [76/127]	#10 EYELET
RED	CONNECTED TO CAPACITOR	.25 [6.4] FLAG
RED	CONNECTED TO CAPACITOR	.25 [6.4] FLAG
YELLOW	3.0/5.0 [76/127]	.25 [6.4] FLAG
BLACK	3.0/5.0 [76/127]	.25 [6.4] FLAG
ORANGE	3.0/5.0 [76/127]	.25 [6.4] FLAG
WHITE	3.0/5.0 [76/127]	.25 [6.4] FLAG
RED	3.0/5.0 [76/127]	.25 [6.4] FLAG
BROWN	3.0/5.0 [76/127]	.25 [6.4] FLAG
YELLOW/BLACK	3.0/5.0 [76/127]	.25 [6.4] FLAG
COLOR	LENGTH	TERMINAL OR STRIP LENGTH



MAIN FRAME - OLE	ENCLOSED
END FRAME - OLE	ENCLOSED
MAIN FRAME - LE	ENCLOSED
END FRAME - LE	ENCLOSED

CUSTOMER DIST. SERVICES

NAMEPLATE DATA:	EXTERNAL CONNECTION DIAGRAM
MODEL NO.: F48Z68A01 CUST. P/N: 768A HP: 1/3 ROT.: REV. RPM: 1725 TYPE: UF FRAME: 48Y VOLTS: 115/230 PH: 1 AMPS: 2.9/1.5 HZ: 60 INS.: B AMB.: 60° C DUTY: AIR OVER CAP.: 10 MFD/370 V ENCL: ENCLOSED UL LOGO CSA LOGO THERMALLY PROTECTED	<p>SHOWN FOR CCWLE ROTATION, FOR CWLE INTERCHANGE RED AND BLACK LEADS 614131-345</p>

PERFORMANCE CURVE NO.	TORQUE @ 1725 RPM (25°C)	APPROVED SAMPLE	UL COMPONENT FILE #	CCN #	CSA FILE #	CLASS #
C32725	13.4 OZ. FT.	0604211C	E46412	PRGY2	LR43341	4211-01

GEOMETRIC CHARACTERISTICS & SYMBOLS  
 □ FLATNESS  
 — STRAIGHTNESS  
 ∠ ANGULARITY  
 ⊥ PERPENDICULARITY (SQUARENESS)  
 // PARALLELISM  
 ○ ROUNDNESS (CIRCULARITY)  
 ∅ CYLINDRICITY  
 △ PROFILE OF ANY SURFACE  
 ∩ PROFILE OF ANY LINE  
 ↗ RUNOUT  
 ⊕ TRUE POSITION  
 ⊙ CONCENTRICITY  
 = SYMMETRY  
 ASME Y14.5M 1994

REGAL-BELOIT CORPORATION (RBC) PROVIDES TECHNICAL ASSISTANCE TO OUR CUSTOMERS IN SEVERAL AREAS. SINCE RBC DOES NOT RECEIVE ALL DATA CONCERNING THE USE AND APPLICATION OF THE MOTOR, THE SUITABILITY OF THE MOTOR FOR THE APPLICATION MUST BE DETERMINED BY THE CUSTOMER.

DIMENSIONS WITHOUT TOLERANCES ARE FOR REFERENCE ONLY.

DR BY: MEIYU.HE 07-03-2007  
 APPD: TR 02-25-2008  
 THIRD ANGLE PROJECTION  
 EDS DATE 11-11-2011  
 FORMAT REV G  
 CONFIDENTIAL: THIS DRAWING AND ITS INFORMATION ARE THE EXCLUSIVE AND CONFIDENTIAL PROPERTY OF REGAL-BELOIT CORPORATION AND ARE NOT TO BE DISCLOSED, DUPLICATED, DISTRIBUTED OR OTHERWISE USED WITHOUT THE WRITTEN CONSENT OF REGAL-BELOIT CORPORATION. -ALL RIGHTS RESERVED.

REGAL-BELOIT CORPORATION  
 DESCRIPTION: MODEL-RFHP-48FR OUTLINE  
 SIZE: C DWG NO: F48Z68A01  
 SCALE: NONE SHEET: 1

4

3

2

1

4

3

2

1

REVISION:	ECO	REVISADO POR:	FECHA:	APROBADO POR:	FECHA:
E	0025527	J.AGUILERA	04-24-2012	R.RASCON	04-24-2012

**INFORMACION GENERAL:**

OSCILACION DE FLECHA: .001[.03] L.T.I. POR LONGITUD DE EXTENSION

BALEROS: BALEROS

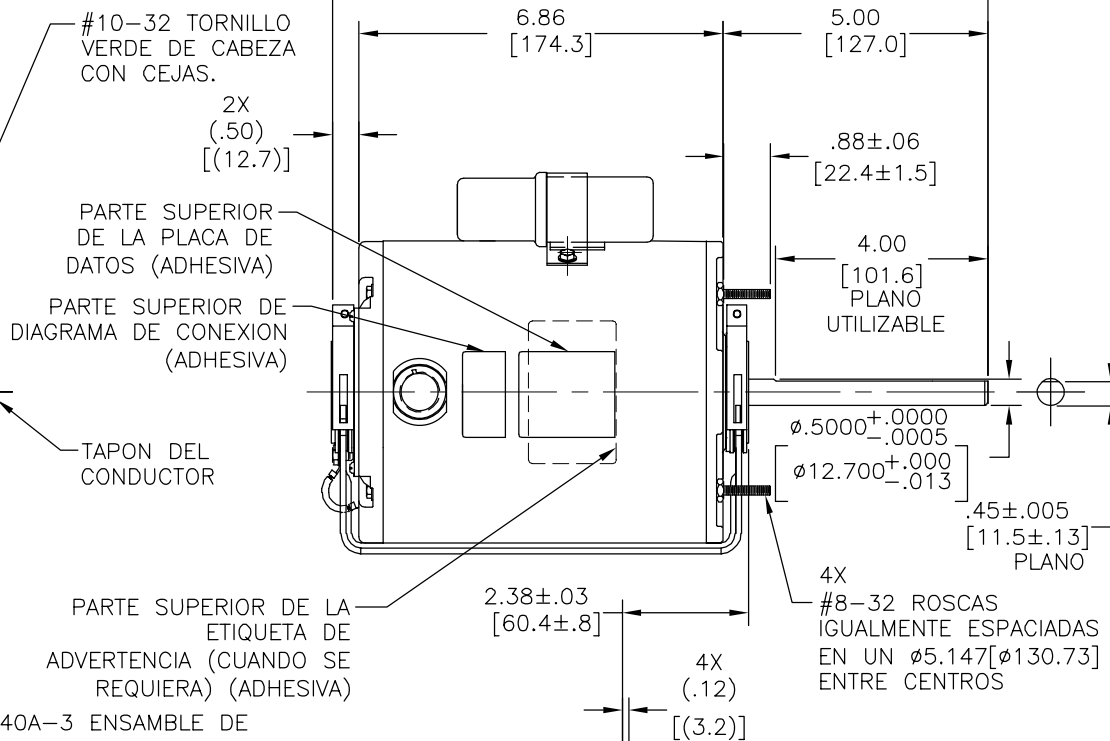
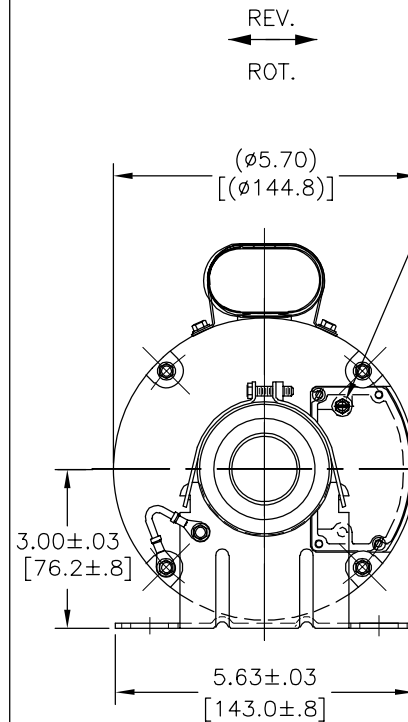
POSICION DEL MONTAJE: HORIZONTAL

**INFORMACION ELECTRICA:**

PROTECTOR DE SOBRECARGA: REINICIO AUTOMATICO (T.I. 7AM 036)

CABLES: CALIBRE 18 AISLANTE .03 [.8] GROSOR 125°C

CABLE DE TIERRA: CALIBRE 18 AISLANTE .03 [.8] GROSOR (VERDE/AMARILLO)



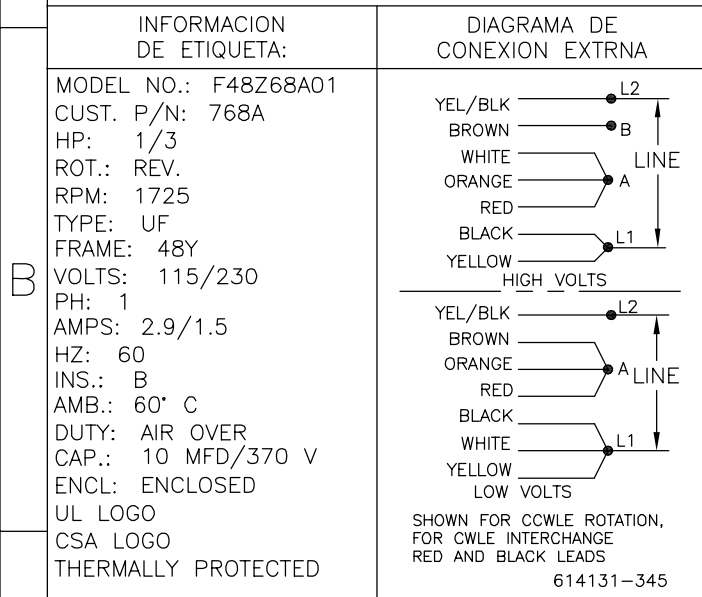
**NOTES:**

1. ENVIAR POR SEPARADO 72T7140A-3 ENSAMBLE DE BOLSA.
2. EL MOTOR DEBE SER ENVIADO CONECTADO PARA ROTACION CCWLE Y 115 VOLTIOS.

VERDE/AMAR. (TIERRA)	3.0/5.0 [76/127]	#10 TERMINAL DE ANILLO
ROJO	CONNECTED TO CAPACITOR	.25[6.4] BANDERA
ROJO	CONNECTED TO CAPACITOR	.25[6.4] BANDERA
AMARILLO	3.0/5.0 [76/127]	.25[6.4] BANDERA
NEGRO	3.0/5.0 [76/127]	.25[6.4] BANDERA
NARANJA	3.0/5.0 [76/127]	.25[6.4] BANDERA
BLANCO	3.0/5.0 [76/127]	.25[6.4] BANDERA
ROJO	3.0/5.0 [76/127]	.25[6.4] BANDERA
CAFE	3.0/5.0 [76/127]	.25[6.4] BANDERA
AMAR./NEGRO	3.0/5.0 [76/127]	.25[6.4] BANDERA
COLOR	LONGITUD	TERMINAL O LONGITUD DE DESFORRE

CARCASA - LOC	ENCERRADO
TAPA - LOC	ENCERRADO
CARCASA - LC	ENCERRADO
TAPA - LC	ENCERRADO

CLIENTE	DIST. SERVICES
---------	----------------



CURVAS DE FUNCIONAMIENTO	TORSION @ 1725 RPM (25°C)	MUESTRA APROBADA	COMPONENTE UL	CSA
C32725	13.4 OZ. FT.	0604211C	#ARCHIVO PRGY2 LR43341	CCN # 4211-01

**CARACTERISTICAS DE GEOMETRIA Y SIMBOLOS**  
 □ PLANICIDAD  
 — RECTITUD  
 < ANGULARIDAD  
 ⊥ PERPENDICULARIDAD (A ESCUADRA)  
 // PARALELISMO  
 ○ REDONDEZ (CIRCULARIDAD)  
 ∅ CILINDRICIDAD  
 △ PERFIL DE CUALQUIER SUPERFICIE  
 ∇ PERFIL DE CUALQUIER LINEA  
 / VARIACION  
 ⊕ POSICION REAL  
 ⊙ CONCENTRICIDAD  
 = SIMETRIA

REGAL-BELOIT CORPORATION (RBC) PROVEE ASISTENCIA TECNICA A NUESTROS CLIENTES EN VARIAS AREAS. DESDE QUE RBC NO RECIBE TODOS LOS DATOS EN RELACION AL USO Y A LA APLICACION DEL MOTOR, LA APLICACION ADECUADA DEL MOTOR DEBE SER DETERMINADA POR EL CLIENTE.

DIMENSIONES SIN TOLERANCIA SON DE REFERENCIA SOLAMENTE

ASME Y14.5M 1994

DIBUJADO POR: MEIYU.HE 07-03-2007  
 APROBADO POR: TR 02-25-2008  
 TERCER ANGULO DE PROYECCION  
 FECHA EDS: 11-11-2011  
 REV. FORMATO: G

CONFIDENCIAL: ESTE DIBUJO Y SU INFORMACION SON PROPIEDAD DE USO EXCLUSIVO Y CONFIDENCIAL DE REGAL-BELOIT CORPORATION. Y NO DEBERAN SER REVELADOS, DUPLICADOS, DISTRIBUIDOS O USARSE DE OTRA MANERA SIN EL CONSENTIMIENTO ESCRITO DE REGAL-BELOIT CORPORATION. -TODOS LOS DERECHOS RESERVADOS.

**REGAL-BELOIT CORPORATION**

DESCRIPCION: MODEL-RFHP-48FR OUTLINE

TAMAÑO: C NUMERO DE DIBUJO: F48Z68A01

ESCALA: NONE HOJA: 1

4

3

2

1

4

3

2

1

总技术要求: \_\_\_\_\_

轴跳动要求:

轴承:

安装位置:

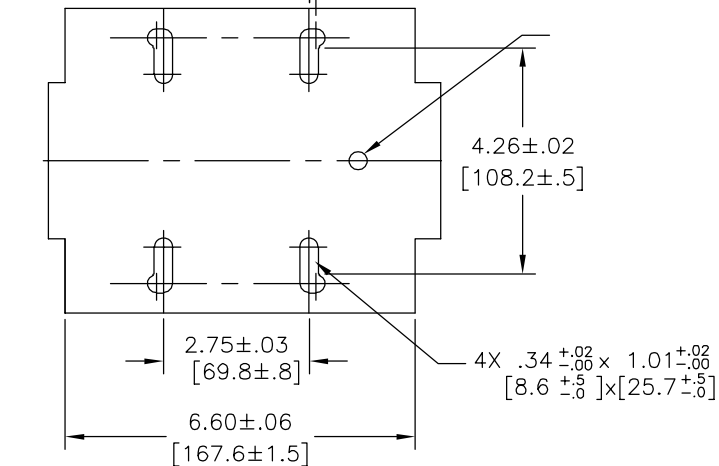
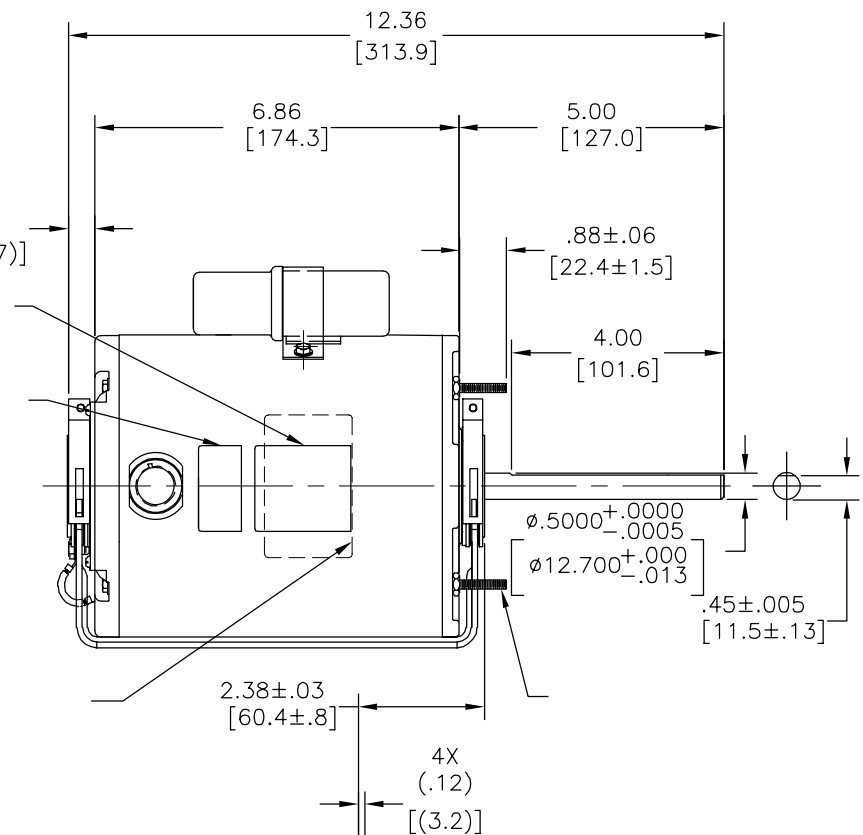
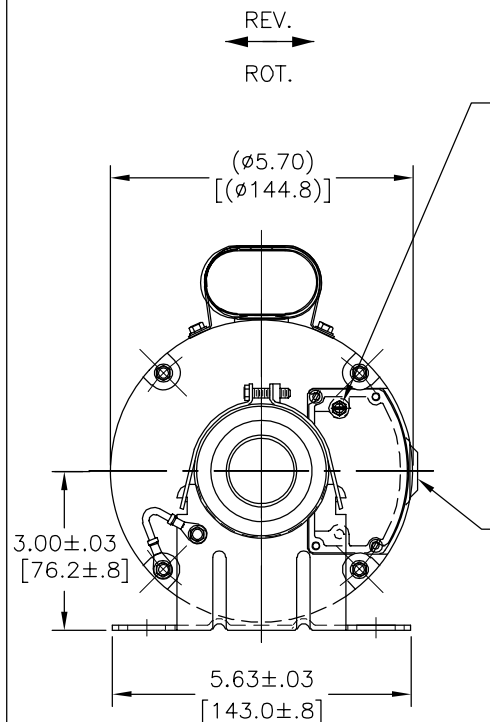
电气数据:

过载保护: 自动复位 (T. I. 7AM 036)

引线: 18GA, 厚.06 [1.5] PVC 105°C 绝缘

接地线: 18GA, 厚.03 [0.8] 绿色绝缘

版本	ECO	编制	J.AGUILERA	日期	04-24-2012	批准	R.RASCON	日期	04-24-2012
E	0025527								



3.0/5.0 [76/127]	CONNECTED TO CAPACITOR	
3.0/5.0 [76/127]	CONNECTED TO CAPACITOR	
3.0/5.0 [76/127]		
3.0/5.0 [76/127]		
3.0/5.0 [76/127]		
3.0/5.0 [76/127]		
3.0/5.0 [76/127]		
3.0/5.0 [76/127]		
3.0/5.0 [76/127]		
3.0/5.0 [76/127]		
3.0/5.0 [76/127]		
3.0/5.0 [76/127]		
3.0/5.0 [76/127]		
3.0/5.0 [76/127]		
颜色	长度	端子或剥线长度

无引线端机壳	
无引线端端盖	
有引线端机壳	
有引线端端盖	
	密封性

	用户	DIST. SERVICES
--	----	----------------

铭牌数据	外部数据
MODEL NO.: F48Z68A01 CUST. P/N: 768A HP: 1/3 ROT.: REV. RPM: 1725 TYPE: UF FRAME: 48Y VOLTS: 115/230 PH: 1 AMPS: 2.9/1.5 HZ: 60 INS.: B AMB.: 60° C DUTY: AIR OVER CAP.: 10 MFD/370 V ENCL: ENCLOSED UL LOGO CSA LOGO THERMALLY PROTECTED	<p>YEL/BLK L2 BROWN B WHITE A ORANGE A RED A BLACK L1 YELLOW L1 HIGH VOLTS</p> <p>YEL/BLK L2 BROWN B ORANGE A RED A BLACK L1 WHITE L1 YELLOW L1 LOW VOLTS</p> <p>SHOWN FOR CCWLE ROTATION, FOR CWLE INTERCHANGE RED AND BLACK LEADS</p> <p>614131-345</p>

性能曲线编号		转矩在 @ RPM (25° C)	批准样品	UL部件		CSA	
C32725	13.4 OZ. FT.	0604211C	E46412	PRGY2	LR43341	4211-01	

- 形位公差
- 平面度
  - 直线度
  - 倾斜度
  - 垂直度
  - 平行度
  - 圆度
  - 圆柱度
  - 面轮廓度
  - 线轮廓度
  - 圆跳动
  - 位置度
  - 同轴度
  - 对称度

ASME Y14.5M 1994

REGAL-BELOIT CORPORATION (RBC) 在个别领域为客户提供技术支持。鉴于RBC未收到任何涉及电机使用和应用环境的数据, 电机的适用性由客户自己决定。

未注公差尺寸仅供参考。

绘图: MEIYU.HE	07-03-2007
批准: TR	02-25-2008
第三角投影	图纸格式发布日期 11-11-2011 图纸格式版本 G
机密: 本图纸及相关信息所有权归REGAL-BELOIT CORPORATION。未经REGAL-BELOIT CORPORATION书面授权, 不得泄露、复制、传播或作其他用途。—版权所有	



名称: MODEL-RFHP-48FR OUTLINE

图幅: C 图号: F48Z68A01

比例: NONE 页号: 1

4

3

2

1