

4

3

2

1

GENERAL INFORMATION:

SHAFT RUNOUT: .001 [.025] T.I.R. PER INCH LENGTH OF EXTENSION

END PLAY: .010 TO .063 [.250 TO 1.600]

BEARINGS: SLEEVE

MOUNTING POSITION: HORIZONTAL

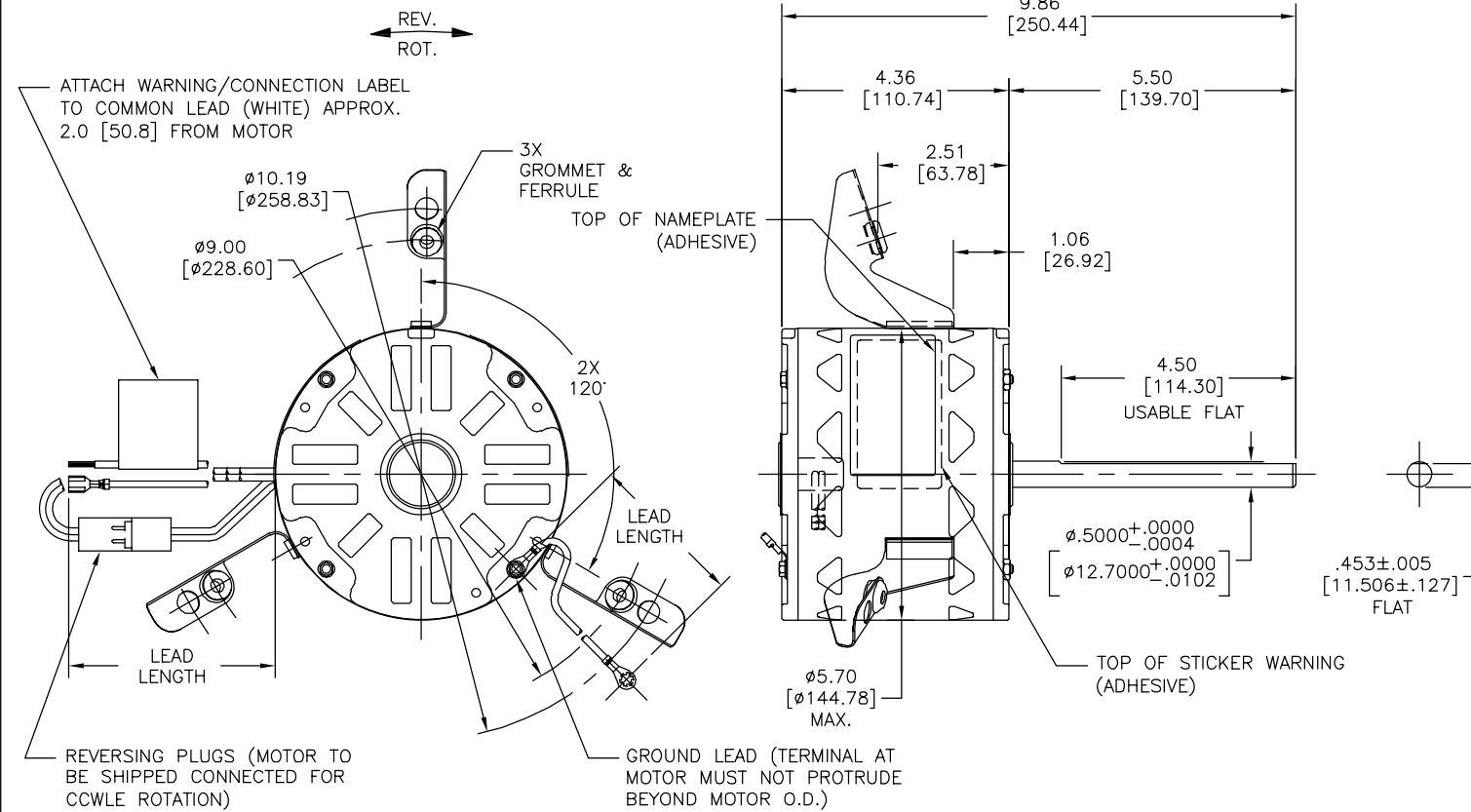
ELECTRICAL DATA:

OVERLOAD PROTECTOR: AUTOMATIC RESET (T.I. 7AM 036)

LINE LEADS: NO. 18 GA., .06 [1.52] THK. PVC 105°C INSUL.

REVERSING LEADS: NO. 18 GA., .03 [.76] THK. XLP 125°C INSUL.

GROUND LEAD: NO. 18 GA., .03 [.76] THK. (GREEN/YELLOW) INSUL.



COLOR	LENGTH	TERMINAL OR STRIP LENGTH
GREEN/YELLOW (GROUND)	11.0/13.0 [279.4/330.2]	#10 EYELET
BLACK/WHITE	3.0/5.0 [76.2/127.0]	REVERSING PLUGS
BROWN	24.0/26.0 [609.6/660.4]	.25 [6.35] FEMALE SPADE
BROWN/WHITE	24.0/26.0 [609.6/660.4]	.25 [6.35] FEMALE SPADE
RED	24.0/26.0 [609.6/660.4]	.50 [12.70] SKIN
BLUE	24.0/26.0 [609.6/660.4]	.50 [12.70] SKIN
YELLOW	24.0/26.0 [609.6/660.4]	.50 [12.70] SKIN
BLACK	24.0/26.0 [609.6/660.4]	.50 [12.70] SKIN
WHITE	24.0/26.0 [609.6/660.4]	.50 [12.70] SKIN

REGAL-BELOIT CORPORATION (RBC) PROVIDES TECHNICAL ASSISTANCE TO OUR CUSTOMERS IN SEVERAL AREAS. SINCE RBC DOES NOT RECEIVE ALL DATA CONCERNING THE USE AND APPLICATION OF THE MOTOR, THE SUITABILITY OF THE MOTOR FOR THE APPLICATION MUST BE DETERMINED BY THE CUSTOMER.

DIMENSIONS WITHOUT TOLERANCES ARE FOR REFERENCE ONLY.

ENCLOSURE	CUSTOMER	DISTRIBUTION SERVICE
MAIN FRAME - OLE	OPEN	
END FRAME - OLE	OPEN	
MAIN FRAME - LE	OPEN	
END FRAME - LE	OPEN	

NAMEPLATE DATA:	EXTERNAL CONNECTION DIAGRAM
MODEL NO.: F48Z16A01 CUST. P/N: 752A HP: 1/4, 1/6, 1/8, 1/10 ROT.: REVERSIBLE RPM: 1075 TYPE: UF FRAME: 48 VOLTS: 115 PH: 1 AMPS: 3.9, 2.8, 2.1, 1.6 HZ: 60 INS.: B AMB.: 50° C DUTY: AIR OVER CAP.: 5 MFD/370 V ENCL.: OPEN UL LOGO CSA LOGO THERMALLY PROTECTED	

PERFORMANCE CURVE NO.	TORQUE @ 1075 RPM (25°C)	APPROVED SAMPLE	UL COMPONENT	CSA
C32678	28.6 OZ. FT.	0600680B	E46412 PRGY2	LR43341 4211-01

DRAWING REVISION	REVISION BY	DATE
A	G.ZHAO	07-08-2014
ECD	APPROVED BY C.ZHOU	DATE 07-08-2014

ECO DESCRIPTION: NEW MODEL RELEASE

COPYRIGHT REGAL-BELOIT AMERICA, INC. ALL RIGHTS RESERVED. PROPRIETARY AND CONFIDENTIAL INFORMATION - THIS DOCUMENT IS THE PROPERTY OF REGAL-BELOIT AMERICA, INC. (OWNER) AND CONTAINS OWNER'S PROPRIETARY INFORMATION. ANY PERSON, CORPORATION OR OTHER FIRM RECEIVING IT IS DEEMED, BY RECEIVING IT, TO AGREE THAT IT, AND/OR ANY PART OF IT, SHALL NOT BE DISCLOSED TO ANY PERSON, CORPORATION OR OTHER ENTITY, DUPLICATED, AND/OR USED, EXCEPT AS EXPRESSLY APPROVED IN WRITING IN ADVANCE BY OWNER. THIS DOCUMENT SHALL BE RETURNED TO OWNER UPON REQUEST. IT MAY BE SUBJECT TO CERTAIN RESTRICTIONS UNDER APPLICABLE EXPORT CONTROL LAWS AND REGULATIONS.

DRAWN BY:	DESCRIPTION
G.ZHAO	MODEL-RFHP-48FR OUTLINE
DATE: 07-08-2014	
APPROVED BY: C.ZHOU	
DATE: 07-08-2014	
REFERENCE	
THIRD ANGLE PROJECTION	

REGAL Regal Beloit America, Inc.

SIZE DWG NO: 752A

SHEET 1

4

3

2

1