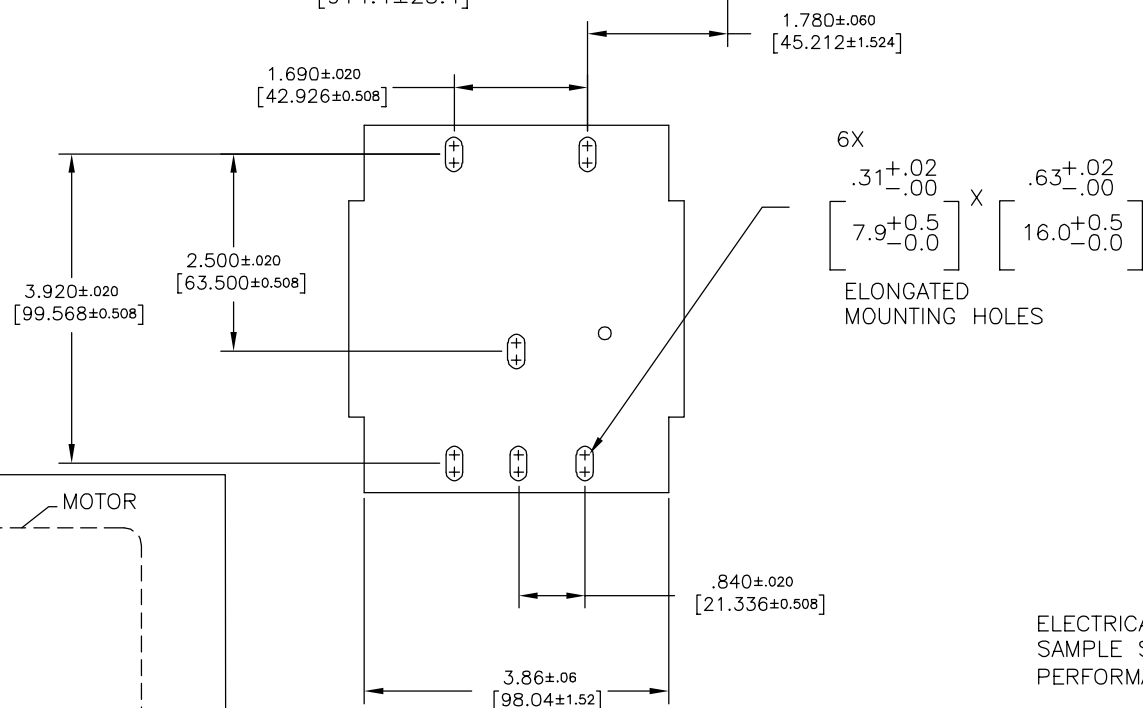
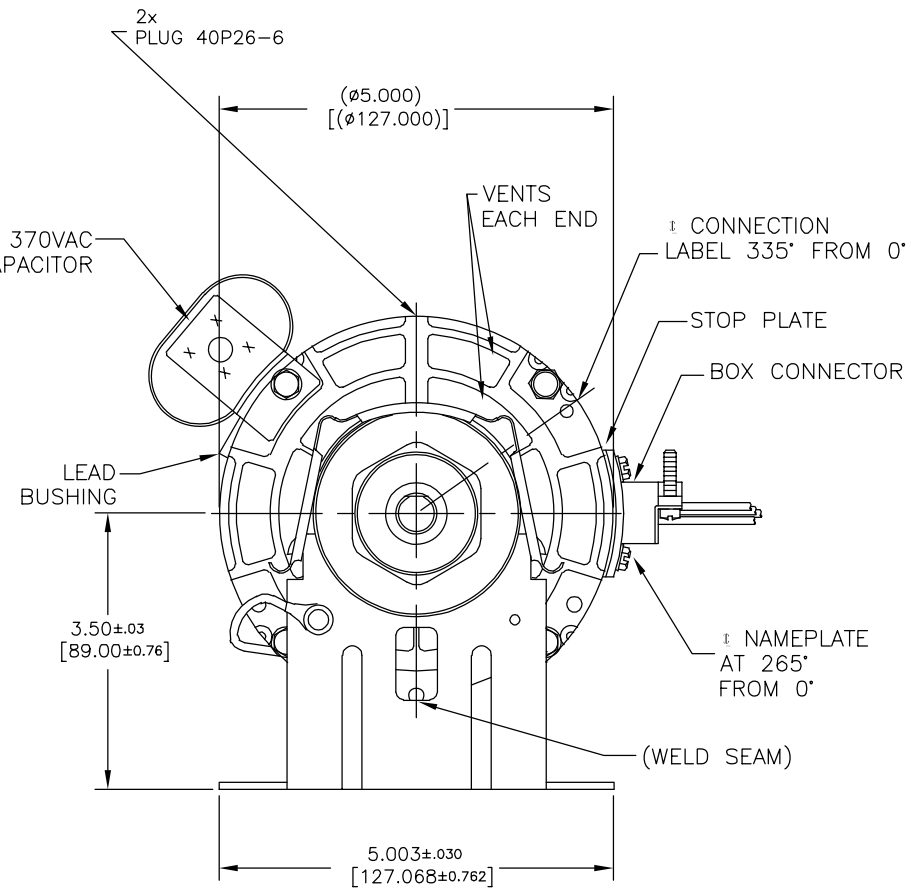
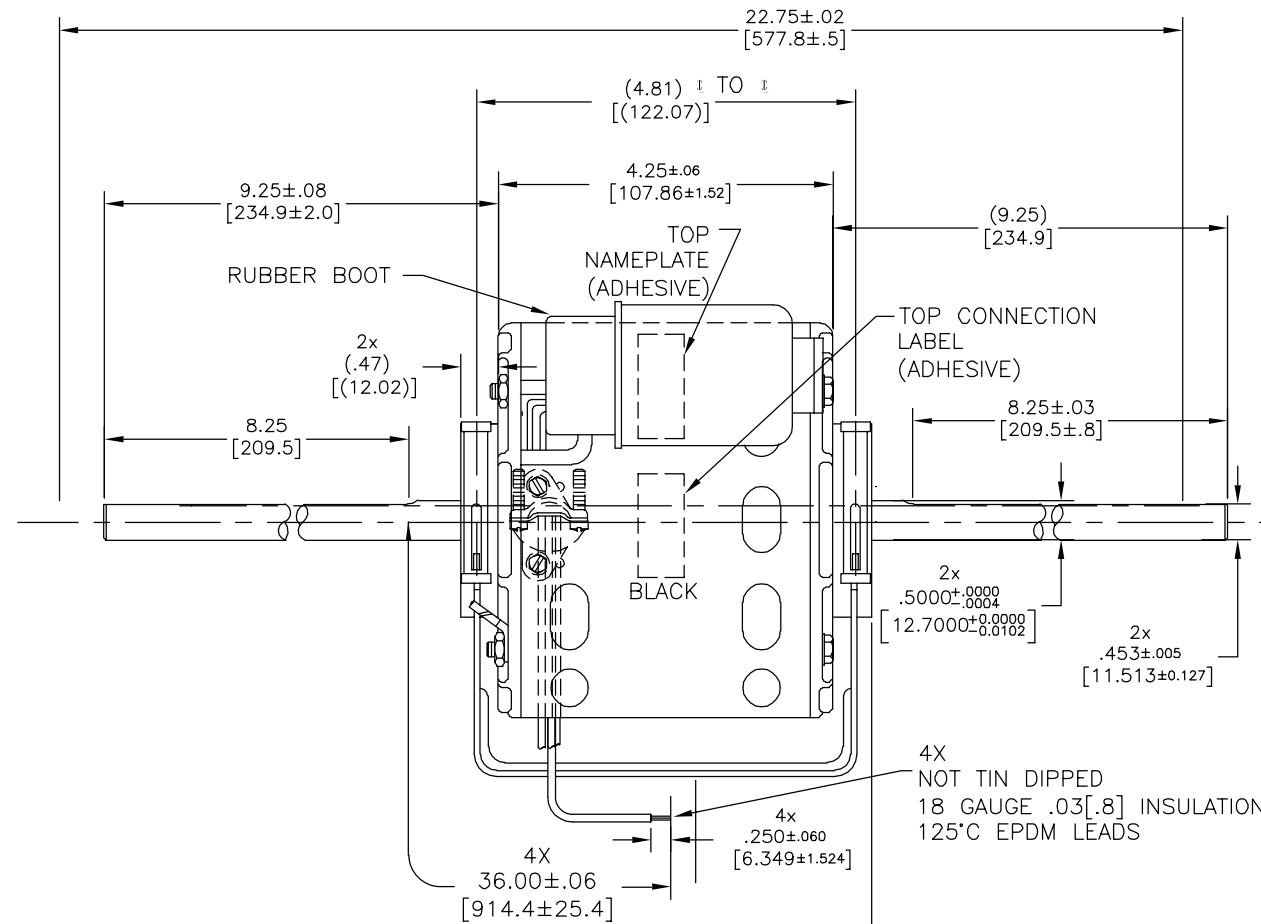
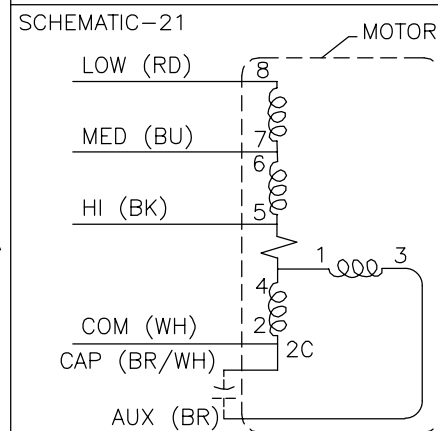


CUSTOMER IS SOLELY RESPONSIBLE FOR MOTOR PERFORMANCE AND SUITABILITY IN APPLICATIONS FOR CUSTOMER'S USES.

END PLAY .005[.13] MINIMUM - .040[1.02] MAXIMUM  
 MAXIMUM SHAFT RUN OUT .001[.02] PER INCH  
 MAXIMUM RUN OUT NOT TO EXCEED .010[.25]



CONNECTION LABEL 63T7432-14



ELECTRICALLY PER SAMPLE S-794E PERFORMANCE CURVE #32278

ROT: CWL

NAMEPLATE DATA:

**Century** Tipp City, OH THERMALLY PROTECTED

SER. DATE & P0# PLT LTR MOD DE3G138N 670A  
 VOLTS 115 HZ 60 AMPS 2.7  
 RPM 1075 SP 3 PH 1 CAP 5MFD/370 VAC  
 INS CL AMB °C HP CONT AO → ROTATION →  
 BRG SLV ASSEMBLED IN MEXICO  
 BK-HI 2.7A 1/6HP  
 BU-MED 1.6A 1/10HP  
 RD-LOW 1.0A 1/20HP  
 WH-COM  
 BR-CAP

DRAWING REVISION D	REVISION BY E.VILLA	DATE 06-03-2014	TOLERANCES UNLESS OTHERWISE SPECIFIED DEC. INCH mm ANGLE .X ±0.1 [±2.5] ±0.5° .XX ±0.02 [±0.51] .XXX ±0.005 [±0.127] .XXXX ±0.0005 [±0.0127]	DRAWN BY: AL	Regal Beloit America, Inc.
ECO ECO-0052615	APPROVED BY F.PAYAN	DATE 06-03-2014	REMOVE BURRS & BREAK SHARP EDGES .003/.015 [0.076/.381] CORNER FILLETS .02 [0.51] MACHINED SURFACES .125 INCH / 3.2 mm SHOWN IN [BRACKETS]	DATE: 06-08-2011	
ECO DESCRIPTION SEE ECO				APPROVED BY: BS	MATERIAL
COPYRIGHT REGAL BELOIT AMERICA, INC. ALL RIGHTS RESERVED. PROPRIETARY AND CONFIDENTIAL INFORMATION - THIS DOCUMENT IS THE PROPERTY OF REGAL BELOIT AMERICA, INC. (OWNER) AND CONTAINS OWNER'S PROPRIETARY INFORMATION. ANY PERSON, CORPORATION OR OTHER FIRM RECEIVING IT IS DEEMED, BY RECEIVING IT, TO AGREE THAT IT, AND/OR ANY PART OF IT, SHALL NOT BE DISCLOSED TO ANY PERSON, CORPORATION OR OTHER ENTITY, DUPLICATED, AND/OR USED, EXCEPT AS EXPRESSLY APPROVED IN WRITING IN ADVANCE BY OWNER. THIS DOCUMENT SHALL BE RETURNED TO OWNER UPON REQUEST. IT MAY BE SUBJECT TO CERTAIN RESTRICTIONS UNDER APPLICABLE EXPORT CONTROL LAWS AND REGULATIONS.				DATE: 06-08-2011	SIZE DWG NO C 670A
				PROCESS/FINISH	SHEET 1
				THIRD ANGLE PROJECTION	