

4

3

2

1

REV	ECO	REV BY	DATE	APPD	DATE
D	0025526	J.M.RAMIREZ	04-23-2012	R.RASCON	04-23-2012

GENERAL INFORMATION:

SHAFT RUNOUT: .001 [.03] T.I.R. PER INCH LENGTH OF EXTENSION

END PLAY: .010 TO .063 [.25 TO 1.60]

BEARINGS: SLEEVE

MOUNTING POSITION: HORIZONTAL

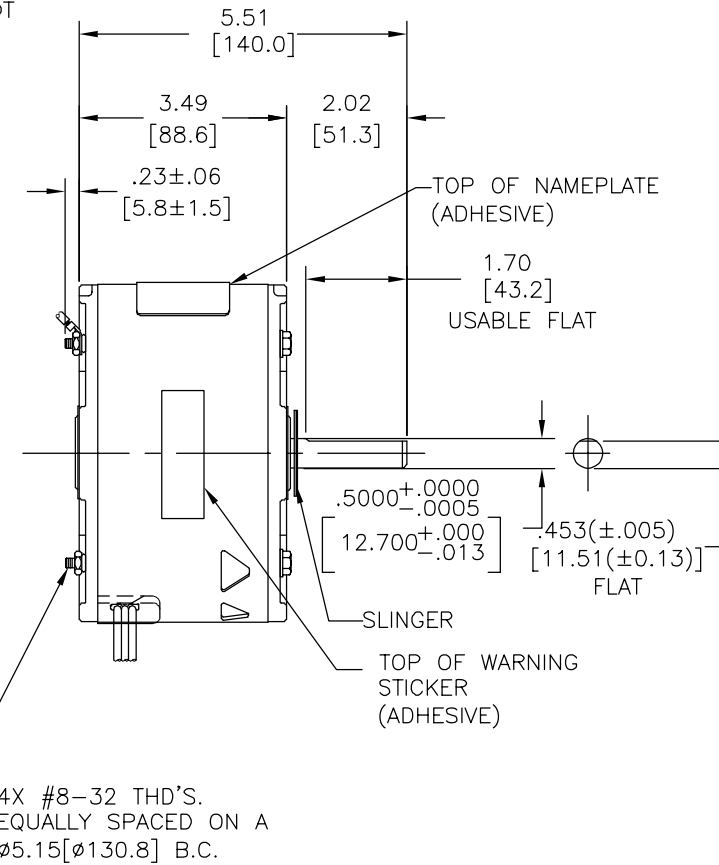
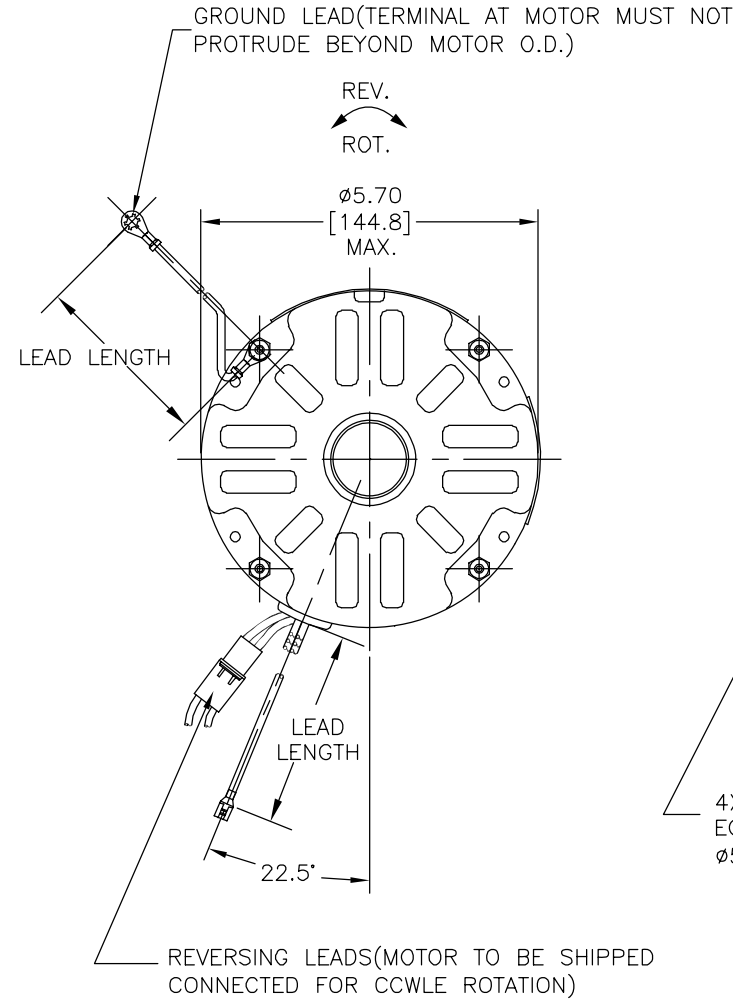
ELECTRICAL DATA:

OVERLOAD PROTECTOR: AUTOMATIC RESET (T.I. 7AM 036)

LEADS: NO. 18 GA., .06 [1.5] THK. PVC 105°C INSUL.

REVERSING LEADS: NO. 18 GA., .03 [.8] THK. 125°C INSUL.

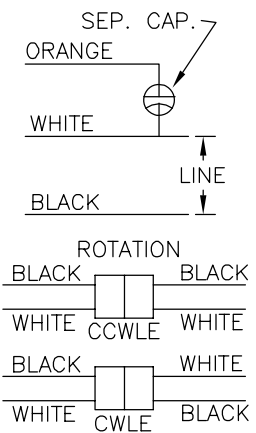
GROUND LEAD: NO. 16 GA., .03 [.8] THK. (GREEN/YELLOW) INSUL.



NAMEPLATE DATA:

EXTERNAL CONNECTION DIAGRAM

MODEL NO.: F48Z25A01  
 CUST. P/N: 639A  
 HP: 1/10  
 ROT.: REV  
 RPM: 1075  
 TYPE: UF  
 FRAME: 48Y  
 VOLTS: 208-230  
 PH: 1  
 AMPS: 0.8  
 HZ: 60  
 INS.: B  
 AMB.: 40 °C  
 DUTY: AIR OVER  
 CAP.: 5 MFD/370V  
 ENCL: SEMI-ENCL  
 UL LOGO  
 CSA LOGO  
 THERMALLY PROTECTED



614131-359

GRN/YEL(GRD)	17.0/15.0 [432/381]	#10 EYELET
BLK/WHT	3.0/5.0 [76/127]	REVERSING PLUG(MALE)
BLK/WHT	3.0/5.0 [76/127]	REVERSING PLUG(FEMALE)
WHITE	35.0/33.0 [889/838]	.25[6.4] FEMALE SPADE
BLACK	35.0/33.0 [889/838]	.25[6.4] FEMALE SPADE
ORANGE	35.0/33.0 [889/838]	.25[6.4] FEMALE SPADE
COLOR	LENGTH	TERMINAL OR STRIP LENGTH

MAIN FRAME - OLE	SEMI-ENCL.
END FRAME - OLE	ENCLOSED
MAIN FRAME - LE	ENCLOSED
END FRAME - LE	OPEN

CUSTOMER	DISTRIBUTION SERVICE
----------	----------------------

PERFORMANCE CURVE NO.	TORQUE @ 1075 RPM (25°C)	APPROVED SAMPLE	UL COMPONENT FILE #	CCN #	CSA FILE #	CLASS #
C32696	10.2 OZ. FT.	0604298B	E46412	PRGY2	LR43341	4211-01

GEOMETRIC CHARACTERISTICS & SYMBOLS

- FLATNESS
- STRAIGHTNESS
- ∠ ANGULARITY
- ⊥ PERPENDICULARITY (SQUARENESS)
- ∥ PARALLELISM
- ROUNDNESS (CIRCULARITY)
- ⊘ CYLINDRICITY
- △ PROFILE OF ANY SURFACE
- ∩ PROFILE OF ANY LINE
- ↗ RUNOUT
- ⊕ TRUE POSITION
- ◎ CONCENTRICITY
- ≡ SYMMETRY

ASME Y14.5M 1994

REGAL-BELOIT CORPORATION (RBC) PROVIDES TECHNICAL ASSISTANCE TO OUR CUSTOMERS IN SEVERAL AREAS. SINCE RBC DOES NOT RECEIVE ALL DATA CONCERNING THE USE AND APPLICATION OF THE MOTOR, THE SUITABILITY OF THE MOTOR FOR THE APPLICATION MUST BE DETERMINED BY THE CUSTOMER.

DIMENSIONS WITHOUT TOLERANCES ARE FOR REFERENCE ONLY.

DR BY: CADDIE 05-17-2007

APPD:

THIRD ANGLE PROJECTION

CONFIDENTIAL: THIS DRAWING AND ITS INFORMATION ARE THE EXCLUSIVE AND CONFIDENTIAL PROPERTY OF REGAL-BELOIT CORPORATION AND ARE NOT TO BE DISCLOSED, DUPLICATED, DISTRIBUTED OR OTHERWISE USED WITHOUT THE WRITTEN CONSENT OF REGAL-BELOIT CORPORATION. -ALL RIGHTS RESERVED.



DESCRIPTION  
 MODEL-RFHP-48FR  
 OUTLINE

SIZE C DWG NO 639A  
 SCALE NONE SHEET 1

4

3

2

1

4

3

2

1

REVISION:	ECO	REVISADO POR:	FECHA:	APROBADO POR:	FECHA:
D	0025526	J.M.RAMIREZ	04-23-2012	R.RASCON	04-23-2012

INFORMACION GENERAL:

OSCILACION DE FLECHA: .001 [.03] T.I.R. PER INCH LENGTH OF EXTENSION

JUEGO AXIAL: .010 A .063 [.25 A 1.60]

BALEROS: MANGA

POSICION DEL MONTAJE: HORIZONTAL

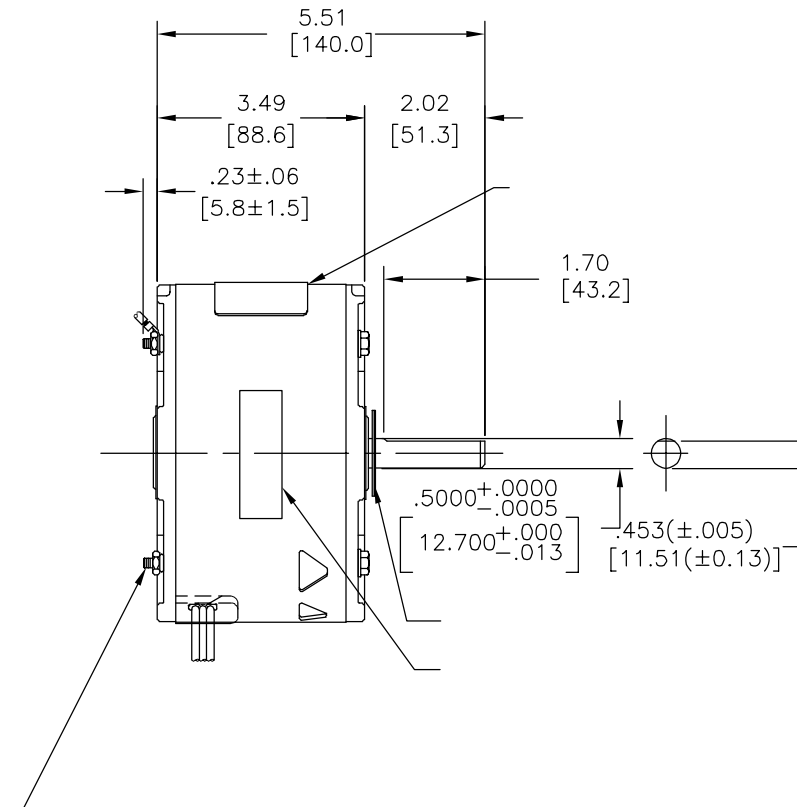
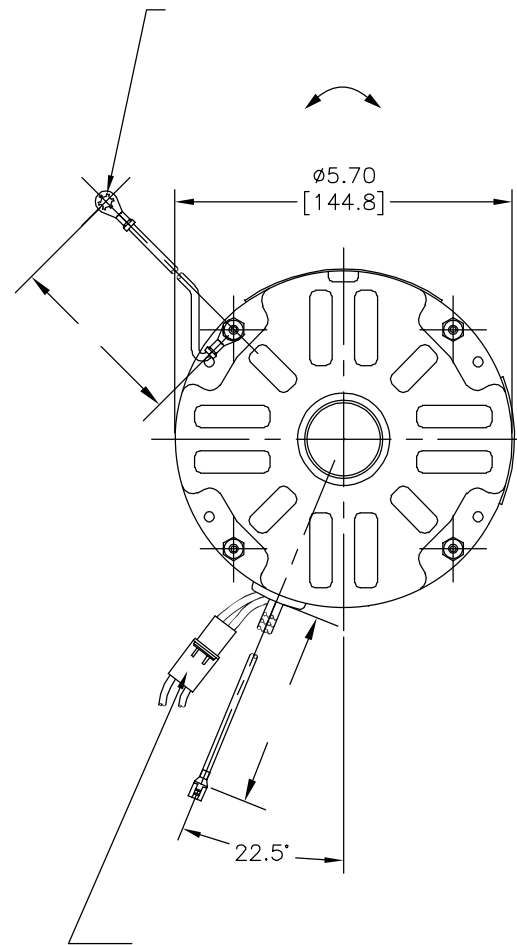
INFORMACION ELECTRICA:

SOBRECARGA DEL PROTECTOR: REINICIO AUTOMATIC (T.I. 7AM 036)

CABLES: NO. 18 GA., .06 [1.5] THK. PVC 105°C AISLAM.

CABLE DE TIERRA: NO. 18 GA., .03 [.8] THK. (VERDE) AISLAM.

CABLE DE TIERRA: CAL. NO. 16, .03 [.8] ESP. (VERDE/AMARILLO) AISL.



INFORMACION DE ETIQUETA:	DIAGRAMA DE CONEXION EXTRNA
MODEL NO.: F48Z25A01 CUST. P/N: 639A HP: 1/10 ROT.: REV RPM: 1075 TYPE: UF FRAME: 48Y VOLTS: 208-230 PH: 1 AMPS: 0.8 HZ: 60 INS.: B AMB.: 40 °C DUTY: AIR OVER CAP.: 5 MFD/370V ENCL: SEMI-ENCL UL LOGO CSA LOGO THERMALLY PROTECTED	
	614131-359

	17.0/15.0	
	[432/381]	
	3.0/5.0	
	[76/127]	
	3.0/5.0	
	[76/127]	
	35.0/33.0	
	[889/838]	
	35.0/33.0	
	[889/838]	
	35.0/33.0	
	[889/838]	

DE CARCASA - OLE	
DE TAPA - OLE	
DE CARCASA - LE	
DE TAPA - LE	

CLIENTE	
---------	--

CURVAS DE FUNCIONAMIENTO	TORSION @1075 RPM (25°C)	MUESTRA APROBADA	COMPONENTE UL	CSA
C32696	10.2 OZ. FT.	0604298B	#ARCHIVO CCN #	#ARCHIVO CLASE #
			E46412 PRGY2	LR43341 4211-01

CARACTERISTICAS DE GEOMETRIA Y SIMBOLOS ▽ PLANICIDAD — RECTITUD ∠ ANGULARIDAD ⊥ PERPENDICULARIDAD (A ESCUADRA) // PARALELISMO ○ REDONDEZ (CIRCULARIDAD) ∅ CILINDRICIDAD △ PERFIL DE CUALQUIER SUPERFICIE ∩ PERFIL DE CUALQUIER LINEA ↗ VARIACION ⊕ POSICION REAL ⊙ CONCENTRICIDAD = SIMETRIA	REGAL-BELOIT CORPORATION (RBC) PROVEE ASISTENCIA TECNICA A NUESTROS CLIENTES EN VARIAS AREAS. DESDE QUE RBC NO RECIBE TODOS LOS DATOS EN RELACION AL USO Y A LA APLICACION DEL MOTOR, LA APLICACION ADECUADA DEL MOTOR DEBE SER DETERMINADA POR EL CLIENTE.  DIMENSIONES SIN TOLERANCIA SON DE REFERENCIA SOLAMENTE
---	---

DIBUJADO POR: CADDIE 05-17-2007 APROBADO POR: TERCER ANGULO DE PROYECCION CONFIDENCIAL: ESTE DIBUJO Y SU INFORMACION SON PROPIEDAD DE USO EXCLUSIVO Y CONFIDENCIAL DE REGAL-BELOIT CORPORATION. Y NO DEBERAN SER REVELADOS, DUPLICADOS, DISTRIBUIDOS O USARSE DE OTRA MANERA SIN EL CONSENTIMIENTO ESCRITO DE REGAL-BELOIT CORPORATION. -TODOS LOS DERECHOS RESERVADOS.	FECHA EDS: 11-11-2011 REV. FORMATO: G
---	--

DESCRIPCION: MODEL-RFHP-48FR OUTLINE	
TAMAÑO: C	NUMERO DE DIBUJO: 639A
ESCALA: NONE	HOJA: 1

4

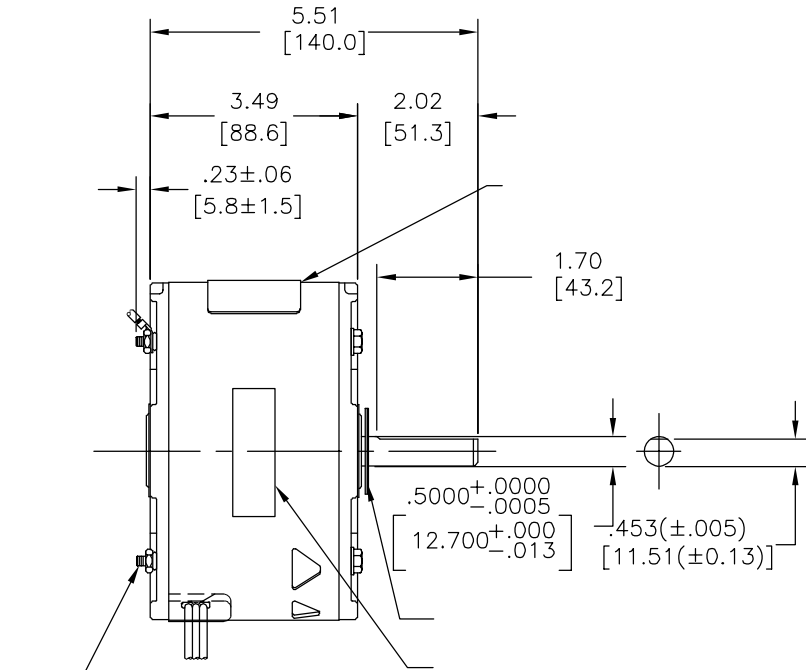
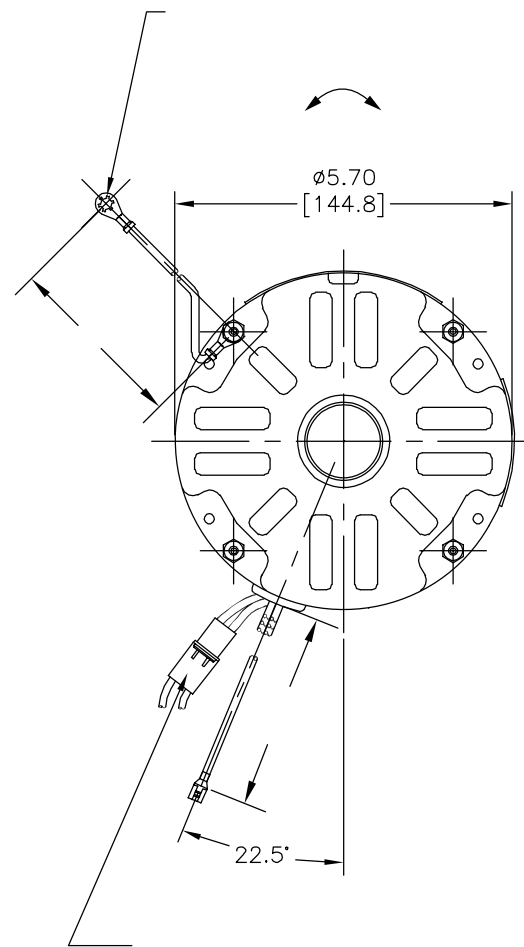
3

2

1

4 3 2 1

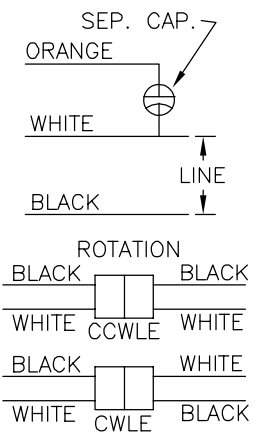
版本	ECO	编制	日期	批准	日期
D	0025526	J.M.RAMIREZ	04-23-2012	R.RASCON	04-23-2012



D  
C  
B  
A

D  
C  
B  
A

MODEL NO.: F48Z25A01  
 CUST. P/N: 639A  
 HP: 1/10  
 ROT.: REV  
 RPM: 1075  
 TYPE: UF  
 FRAME: 48Y  
 VOLTS: 208-230  
 PH: 1  
 AMPS: 0.8  
 HZ: 60  
 INS.: B  
 AMB.: 40 °C  
 DUTY: AIR OVER  
 CAP.: 5 MFD/370V  
 ENCL: SEMI-ENCL  
 UL LOGO  
 CSA LOGO  
 THERMALLY PROTECTED



614131-359

	17.0/15.0	
	[432/381]	
	3.0/5.0	
	[76/127]	
	3.0/5.0	
	[76/127]	
	35.0/33.0	
	[889/838]	
	35.0/33.0	
	[889/838]	
	35.0/33.0	
	[889/838]	

C32696	10.2 OZ. FT.	0604298B	E46412	PRGY2	LR43341	4211-01
--------	--------------	----------	--------	-------	---------	---------

- 形位公差
- 平面度
- 直线度
- ∠ 倾斜度
- ⊥ 垂直度
- // 平行度
- 圆度
- ⊘ 圆柱度
- ⊖ 面轮廓度
- ⊖ 线轮廓度
- ↗ 圆跳动
- ⊕ 位置度
- ⊙ 同轴度
- ≡ 对称度

ASME Y14.5M 1994

REGAL-BELOIT CORPORATION (RBC) 在个别领域为客户提供技术支持。鉴于RBC未收到任何涉及电机使用和应用环境的数据，电机的适用性由客户自己决定。

未注公差尺寸仅供参考。

绘图:	CADDIE	05-17-2007
批准:		
第三角投影		图纸格式发布日期 11-11-2011 图纸格式版本 G
机密: 本图纸及相关信息所有权归REGAL-BELOIT CORPORATION。未经REGAL-BELOIT CORPORATION书面授权, 不得泄露、复制或传播或作其他用途。—版权所有		



名称	MODEL-RFHP-48FR OUTLINE	
图幅	C	图号 639A
比例	NONE	页号 1

4 3 2 1