

GENERAL INFORMATION:

SHAFT RUNOUT: .001[.025] T.I.R. PER INCH LENGTH OF EXTENSION

BEARINGS: BALL

MOUNTING POSITION: ALL ANGLE

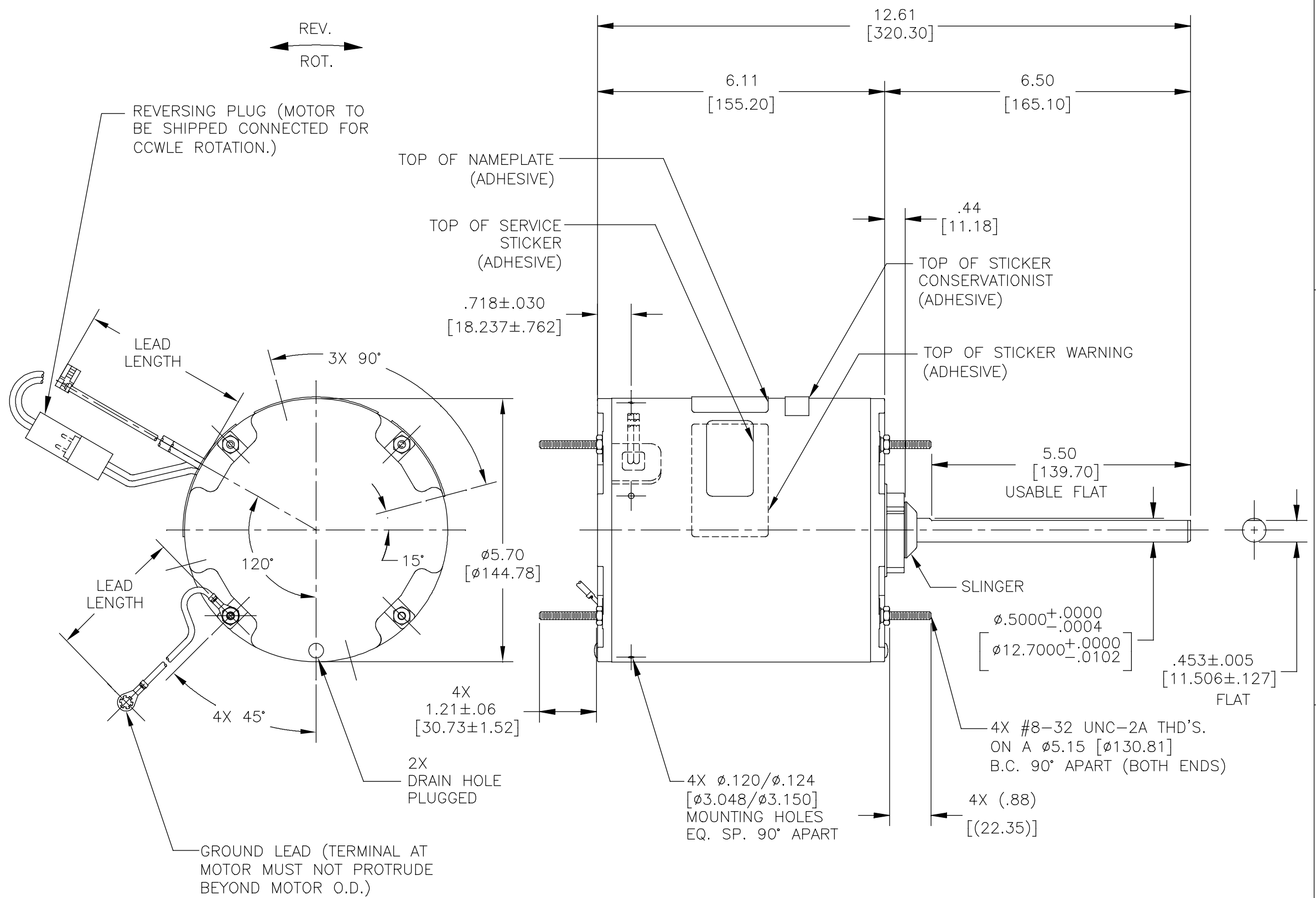
ELECTRICAL DATA:

OVERLOAD PROTECTOR: AUTOMATIC RESET (SENSATA 7AM 036)

LEADS: NO. 18 GA., .06 [1.52] THK. PVC 105°C INSUL.

REVERSING PLUGS: NO. 18 GA., .03 [.76] THK. XLP 125°C INSUL.

GROUND LEAD: NO. 18 GA., .03 [.76] THK. (GREEN) INSUL.



NOTES:
 (4) SCREWS 615982-001 TO BE PUT IN POLY BAG AND SHIPPED SEPARATE IN EACH CARTON WITH MOTOR.

COLOR	LENGTH	TERMINAL OR STRIP LENGTH
GREEN (GROUND)	12/13 [305/330]	#10 EYELET
BLACK/WHITE	3/5 [76/127]	REVERSING PLUG
BROWN	46/50 [1168/1270]	.25[6.35] FLAG
BROWN/WHITE	46/50 [1168/1270]	.25[6.35] FLAG
WHITE	46/50 [1168/1270]	.25[6.35] FLAG
BLACK	46/50 [1168/1270]	.25[6.35] FLAG
COLOR	LENGTH	TERMINAL OR STRIP LENGTH

REGAL-BELOIT CORPORATION (RBC) PROVIDES TECHNICAL ASSISTANCE TO OUR CUSTOMERS IN SEVERAL AREAS. SINCE RBC DOES NOT RECEIVE ALL DATA CONCERNING THE USE AND APPLICATION OF THE MOTOR, THE SUITABILITY OF THE MOTOR FOR THE APPLICATION MUST BE DETERMINED BY THE CUSTOMER.

DIMENSIONS WITHOUT TOLERANCES ARE FOR REFERENCE ONLY.

MAIN FRAME - OLE	ENCLOSED
END FRAME - OLE	ENCLOSED
MAIN FRAME - LE	ENCLOSED
END FRAME - LE	ENCLOSED

CUSTOMER	DISTRIBUTION SERVICE
----------	----------------------

NAMEPLATE DATA:	EXTERNAL CONNECTION DIAGRAM
MODEL NO.: F48AJ73A01 CUST. P/N: 5FE1076SV1 HP: 3/4 ROT.: REVERSIBLE RPM: 1075 TYPE: UF FRAME: 48 VOLTS: 575 PH: 1 AMPS: 1.9 HZ: 60 INS.: B AMB.: 60° C DUTY: AIR OVER CAP.: 15 MFD/370 V ENCL: ENCLOSED UL LOGO CSA LOGO THERMALLY PROTECTED	

PERFORMANCE CURVE NO.	TORQUE @ 1075 RPM (25°C)	APPROVED SAMPLE	UL COMPONENT		CSA	
			FILE #	CCN #	FILE #	CLASS #
C31449	72.3 OZ. FT.	96AC424B	E46412	PRGY2	LR43341	4211-01

DRAWING REVISION	REVISION BY	DATE
A	JASMINE.ZHU	09-28-2017
ECO	APPROVED BY DEXIAN.LI	DATE 09-28-2017
ECO-0123025	DATE	09-28-2017
ECO DESCRIPTION NEW MODEL RELEASE		

ENCLOSURE

DRAWN BY: JASMINE.ZHU
DATE: 09-28-2017
APPROVED BY: DEXIAN.LI
DATE: 09-28-2017
PROCESS/FINISH
THIRD ANGLE PROJECTION

REGAL Regal Beloit America, Inc.
DESCRIPTION MODEL-RFHP-48FR OUTLINE
MATERIAL
SIZE DWG NO C
SHEET 1

COPYRIGHT REGAL-BELOIT AMERICA, INC. ALL RIGHTS RESERVED. PROPRIETARY AND CONFIDENTIAL INFORMATION - THIS DOCUMENT IS THE PROPERTY OF REGAL-BELOIT AMERICA, INC. (OWNER) AND CONTAINS OWNER'S PROPRIETARY INFORMATION. ANY PERSON, CORPORATION OR OTHER FIRM RECEIVING IT IS DEEMED, BY RECEIVING IT, TO AGREE THAT IT, AND/OR ANY PART OF IT, SHALL NOT BE DISCLOSED TO ANY PERSON, CORPORATION OR OTHER ENTITY, DUPLICATED, AND/OR USED, EXCEPT AS EXPRESSLY APPROVED IN WRITING IN ADVANCE BY OWNER. THIS DOCUMENT SHALL BE RETURNED TO OWNER UPON REQUEST. IT MAY BE SUBJECT TO CERTAIN RESTRICTIONS UNDER APPLICABLE EXPORT CONTROL LAWS AND REGULATIONS.