

GENERAL INFORMATION:

SHAFT RUNOUT: .001 [.025] T.I.R. PER INCH LENGTH OF EXTENSION

BEARINGS: BALL

MOUNTING POSITION: ALL ANGLE

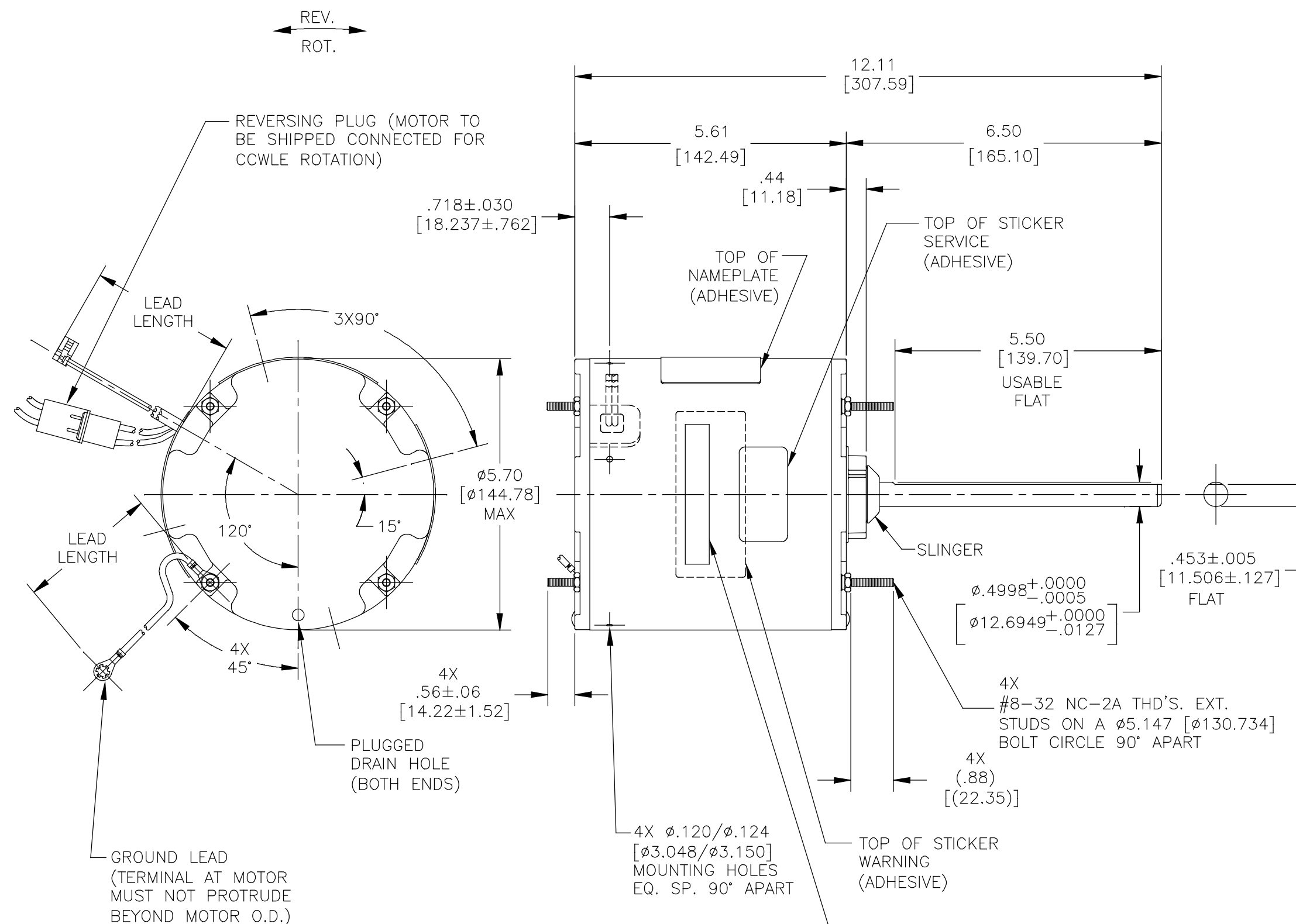
ELECTRICAL DATA:

OVERLOAD PROTECTOR: AUTOMATIC RESET (SENSATA 7AM 036)

LINE LEADS: NO. 18 GA., .06 [1.52] THK. PVC 105°C INSUL.

REVERSING LEADS: NO. 18 GA., .03[.76] THK., XLP 125°C INSUL.

GROUND LEAD: NO. 18 GA., .03 [.76] THK. (GREEN) INSUL.



NOTES:  
 (4) SCREWS 615982-001 TO BE PUT IN POLY BAG AND SHIPPED SEPARATE IN EACH CARTON WITH MOTOR.

REGAL-BELOIT CORPORATION (RBC) PROVIDES TECHNICAL ASSISTANCE TO OUR CUSTOMERS IN SEVERAL AREAS. SINCE RBC DOES NOT RECEIVE ALL DATA CONCERNING THE USE AND APPLICATION OF THE MOTOR, THE SUITABILITY OF THE MOTOR FOR THE APPLICATION MUST BE DETERMINED BY THE CUSTOMER.

DIMENSIONS WITHOUT TOLERANCES ARE FOR REFERENCE ONLY.

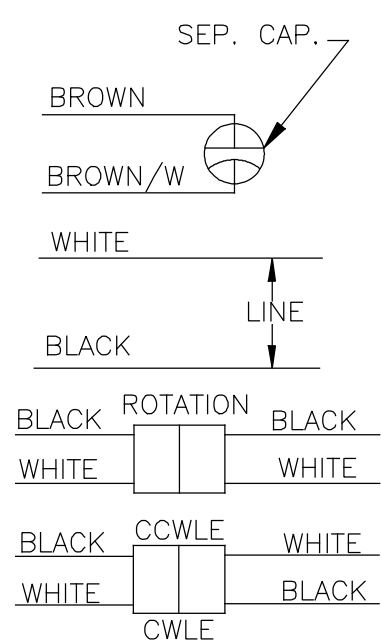
MAIN FRAME - OLE	ENCLOSED
END FRAME - OLE	ENCLOSED
MAIN FRAME - LE	ENCLOSED
END FRAME - LE	ENCLOSED

CUSTOMER	DISTRIBUTION SERVICE
----------	----------------------

NAMEPLATE DATA:

MODEL: F48AJ72A01  
 CUST. P/N: 5FE1056SV1  
 HP: 1/2  
 ROT: REVERSIBLE  
 RPM: 1100  
 TYPE: UF  
 FRAME: 48Y  
 VOLTS: 575  
 PH: 1  
 AMPS: 1.3  
 HZ: 60  
 INS: B  
 AMB: 60°C  
 DUTY: AIR OVER  
 CODE: -  
 CAP.: 7.5 MFD/370V  
 ENCL: ENCLOSED  
 UL LOGO  
 CSA LOGO  
 THERMALLY PROTECTED

EXTERNAL CONNECTION DIAGRAM



614131-242

PERFORMANCE CURVE NO.	TORQUE @1100 RPM (25°C)	APPROVED SAMPLE	UL COMPONENT		CSA	
			FILE #	CCN #	FILE #	CLASS #
C31447	41.5 OZ. FT.	96AC421B	E46412	PRGY2	LR43341	4211-01

COLOR	LENGTH	TERMINAL OR STRIP LENGTH
GREEN (GROUND)	12/13 [305/330]	#10 EYELET
BLACK/WHITE	4/6 [102/152]	REVERSING PLUG
BROWN	46/50 [1168/1270]	.25 [6.35] FLAG
BROWN/WHITE	46/50 [1168/1270]	.25 [6.35] FLAG
WHITE	46/50 [1168/1270]	.25 [6.35] FLAG
BLACK	46/50 [1168/1270]	.25 [6.35] FLAG

DRAWING REVISION A	REVISION BY JASMINE.ZHU	DATE 09-26-2017
ECO-0123022	APPROVED BY DEXIAN.LI	DATE 09-26-2017

ECO DESCRIPTION  
 NEW MODEL RELEASE

COPYRIGHT REGAL BELOIT AMERICA, INC. ALL RIGHTS RESERVED. PROPRIETARY AND CONFIDENTIAL INFORMATION - THIS DOCUMENT IS THE PROPERTY OF REGAL BELOIT AMERICA, INC. ("OWNER") AND CONTAINS OWNER'S PROPRIETARY INFORMATION. ANY PERSON, CORPORATION OR OTHER FIRM RECEIVING IT IS DEEMED, BY RECEIVING IT, TO AGREE THAT IT, AND/OR ANY PART OF IT, SHALL NOT BE DISCLOSED TO ANY PERSON, CORPORATION OR OTHER ENTITY, DUPLICATED, AND/OR USED, EXCEPT AS EXPRESSLY APPROVED IN WRITING IN ADVANCE BY OWNER. THIS DOCUMENT SHALL BE RETURNED TO OWNER UPON REQUEST. IT MAY BE SUBJECT TO CERTAIN RESTRICTIONS UNDER APPLICABLE EXPORT CONTROL LAWS AND REGULATIONS.

DRAWN BY: JASMINE.ZHU
DATE: 09-26-2017
APPROVED BY: DEXIAN.LI
DATE: 029-26-2017
PROCESS/FINISH

REGAL™ Regal Beloit America, Inc.	
DESCRIPTION	MODEL-RFHP-48FR OUTLINE
MATERIAL	-
SIZE	DWG NO 5FE1056SV1
SHEET	1

THIRD ANGLE PROJECTION